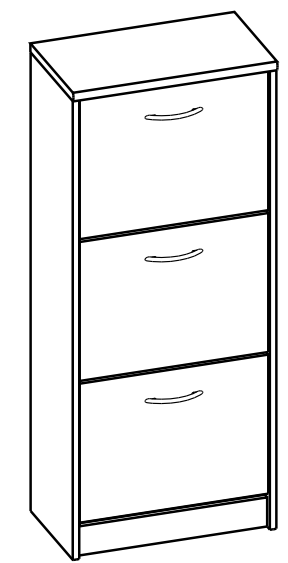


BESCHLÄGE

<b>a1</b> 8x35 x...(x8)	<b>c3</b> Euro 6x16 x...(x18)	<b>c4</b> Euro 6x13 x...(x6)	<b>e0</b> x...(x8)	<b>e1</b> x...(x8)	<b>f1</b> x...(x8)
<b>hc06</b> x...(x3)	<b>i4</b> 3,5x28 x...(x6)	<b>m</b> x...(x1)	<b>n1</b> 3x16 x...(x10)	<b>n2</b> 3,5x16 x...(x19)	
<b>o2</b> x...(x4)	<b>p6</b> x...(x3)	<b>p7</b> x...(x6)	<b>p8</b> x...(x6)	<b>p9</b> x...(x6)	
<b>q</b> x...(x1)					

KOMMODE

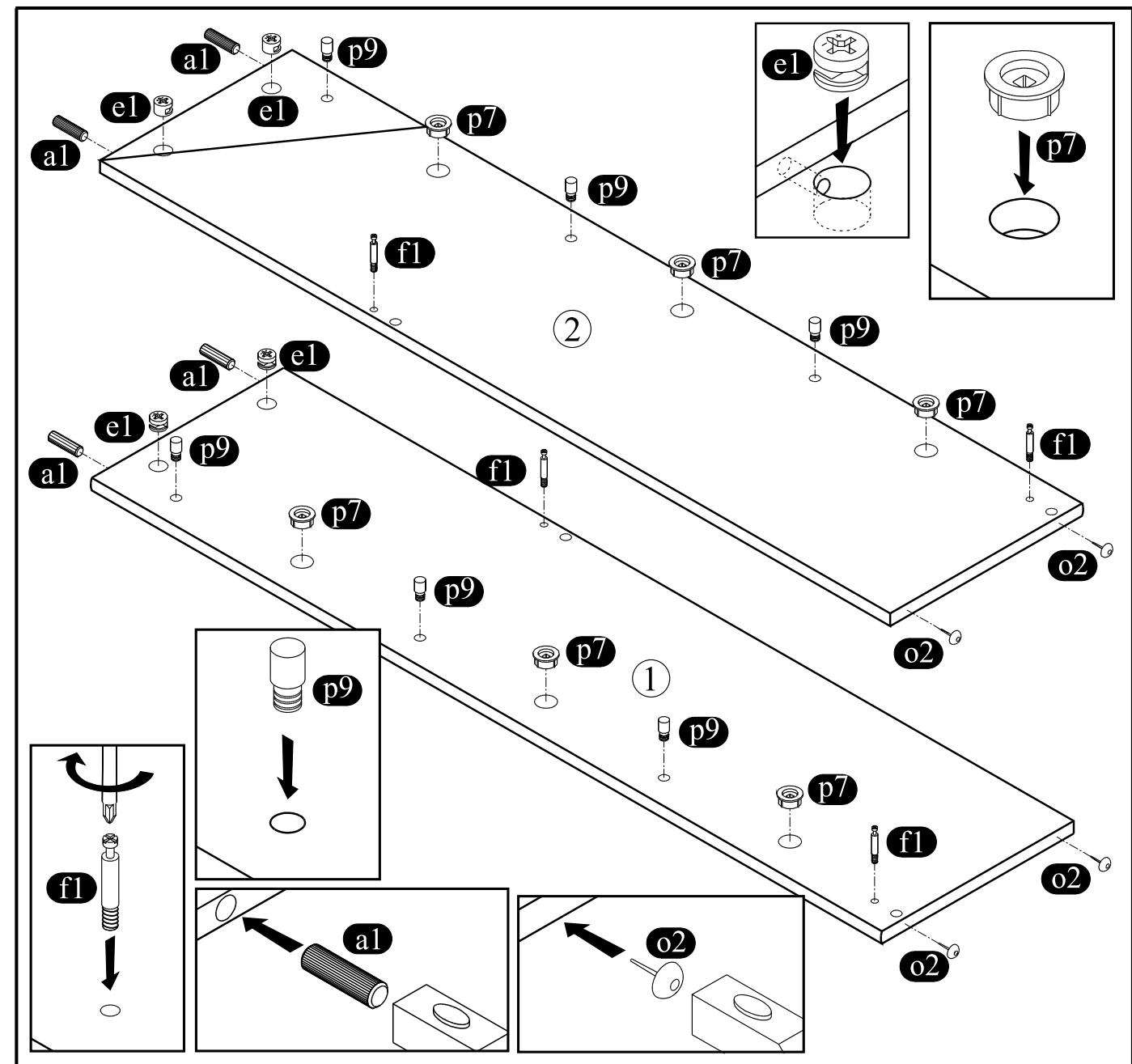
# SCONTO 3K

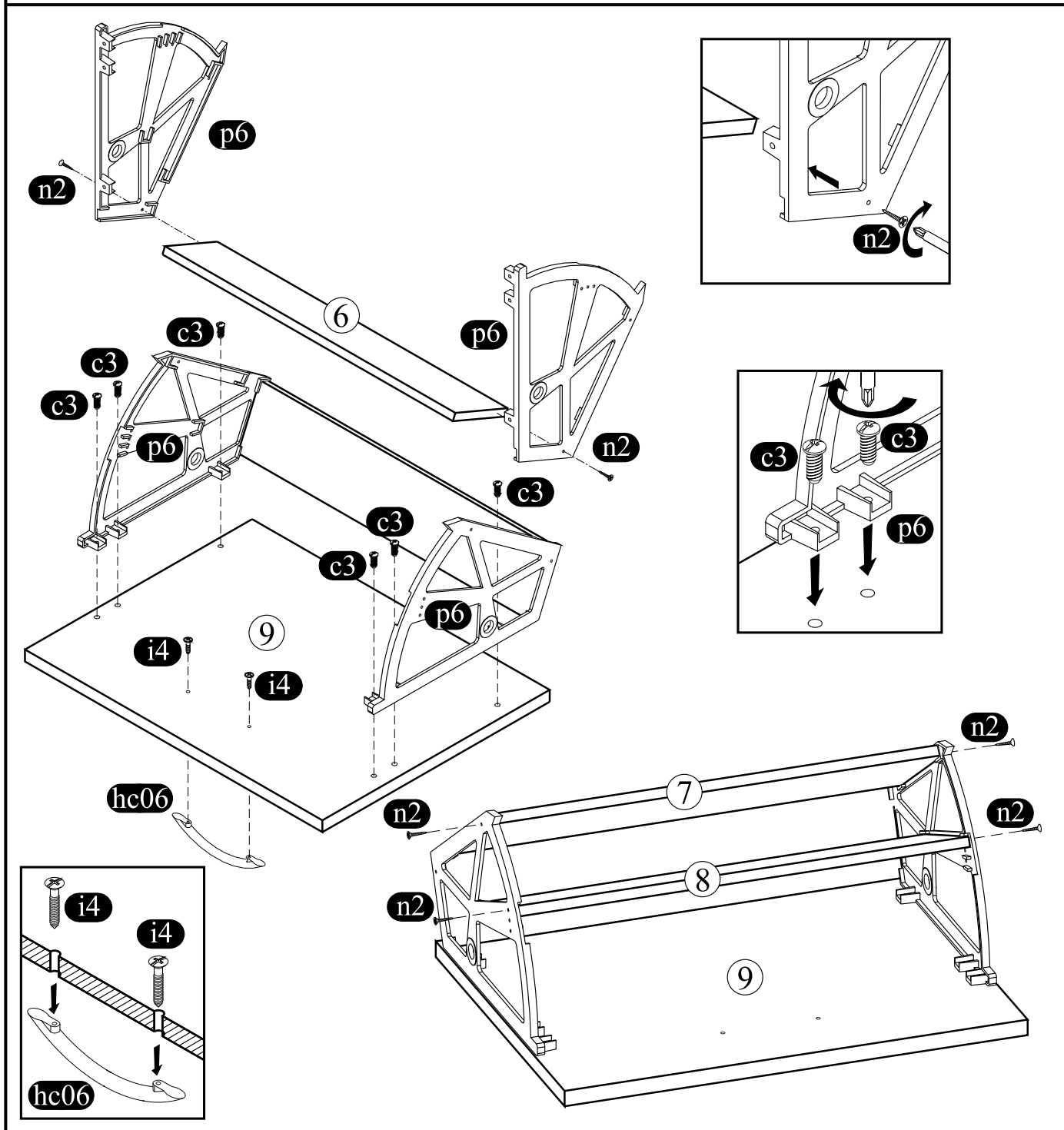
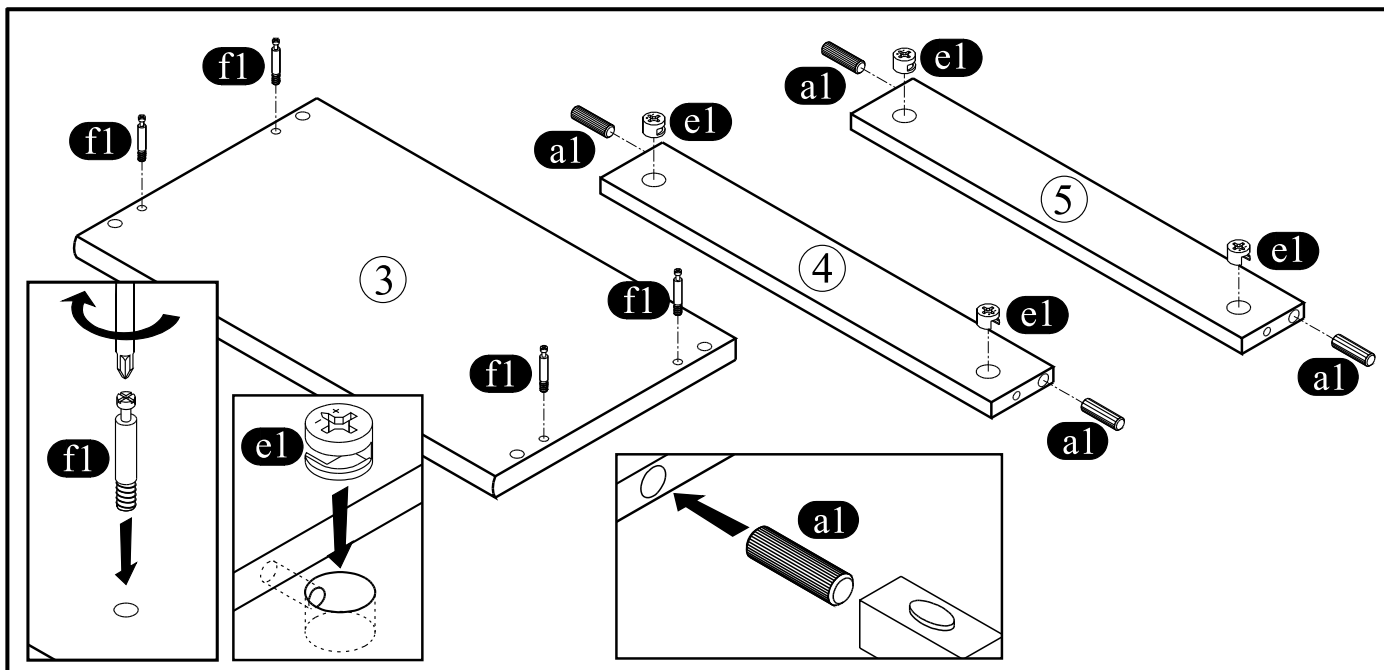


→ 500 ↑ 1200 ↘ 290

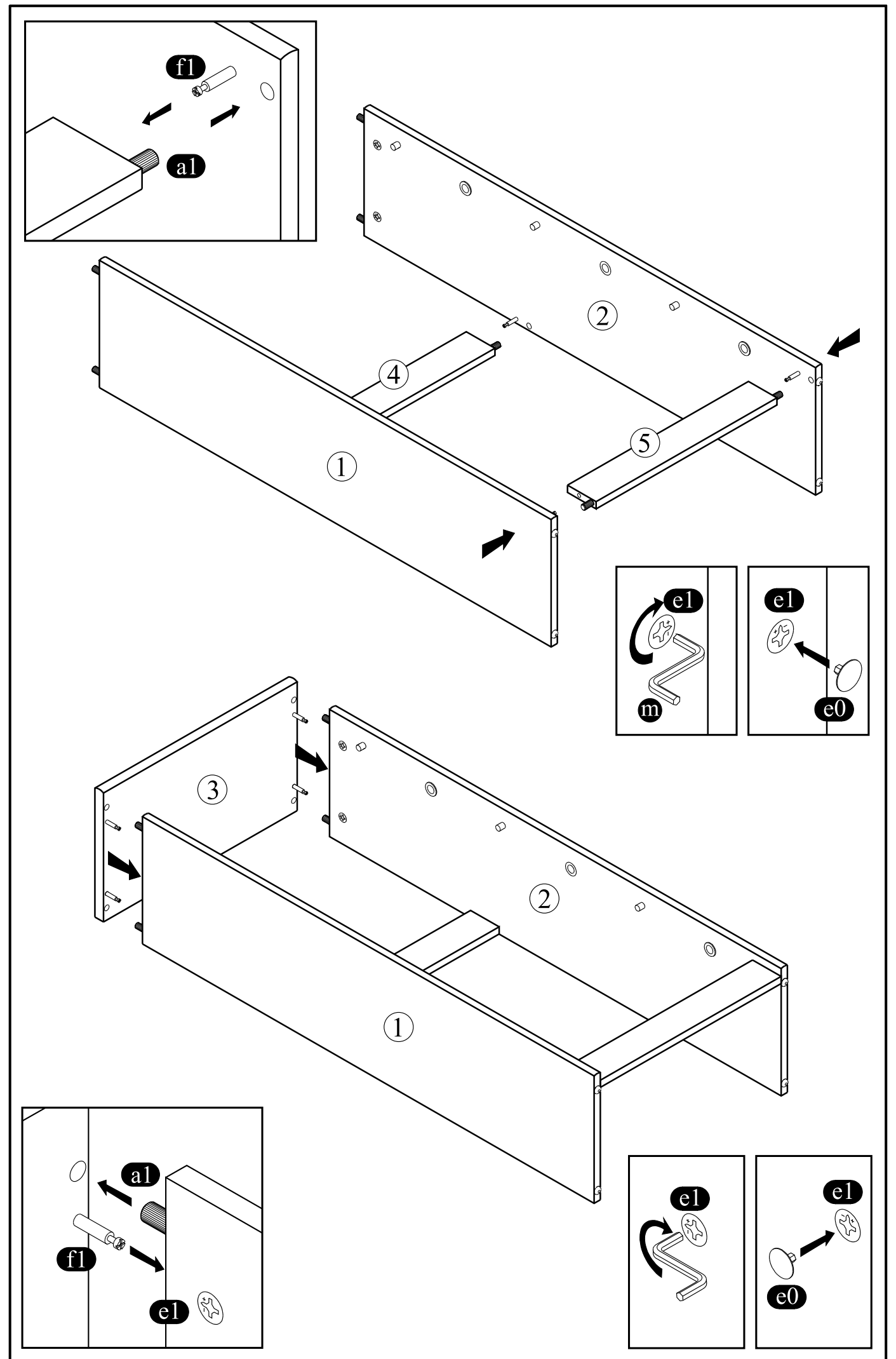
MONTAGEANLEITUNG - SERVICEKARTE

MONTAGEANLEITUNG - SERVICEKARTE





MONTAGEANLEITUNG - SERVICEKARTE



MONTAGEANLEITUNG - SERVICEKARTE