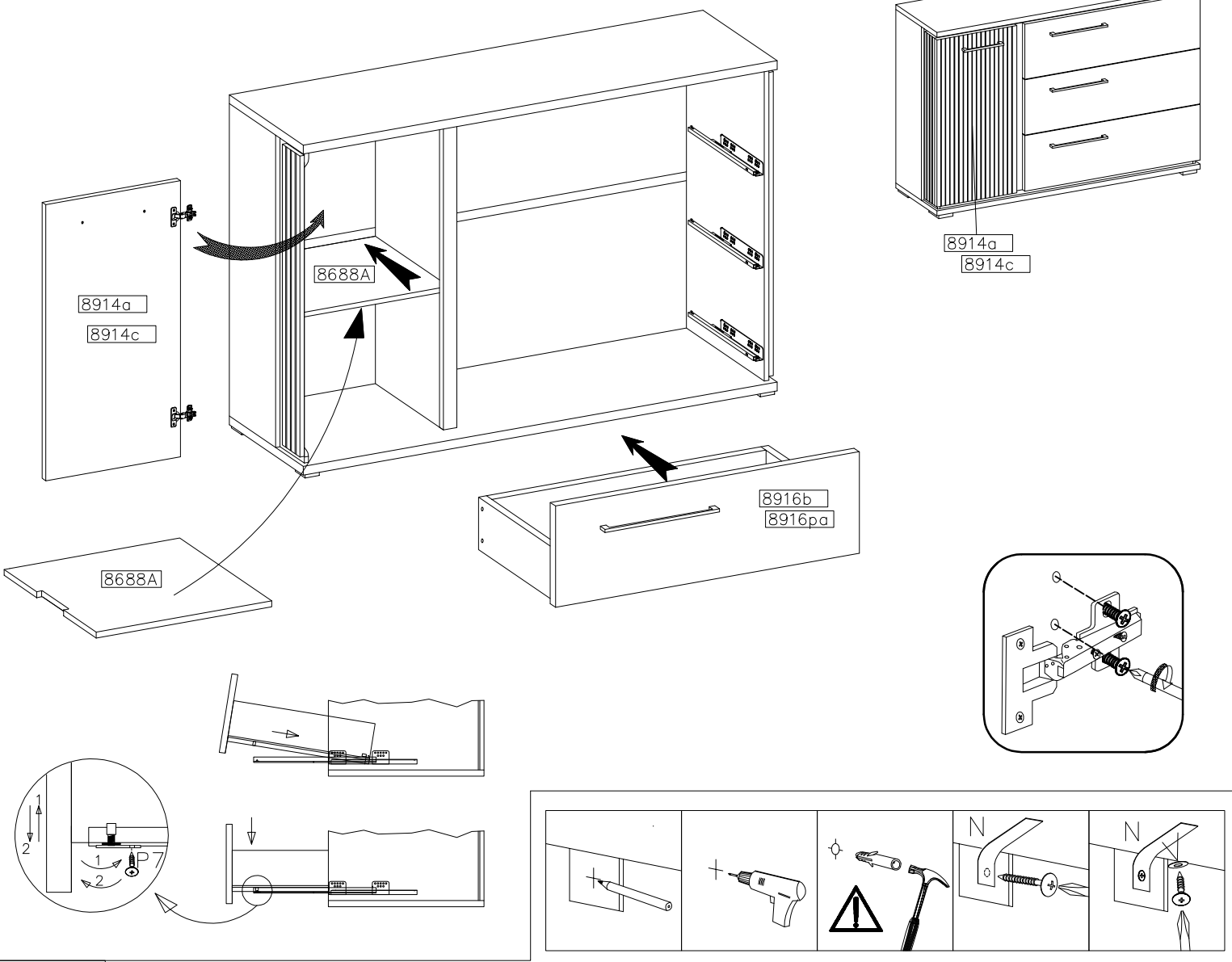
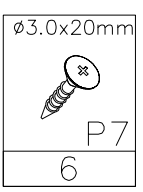
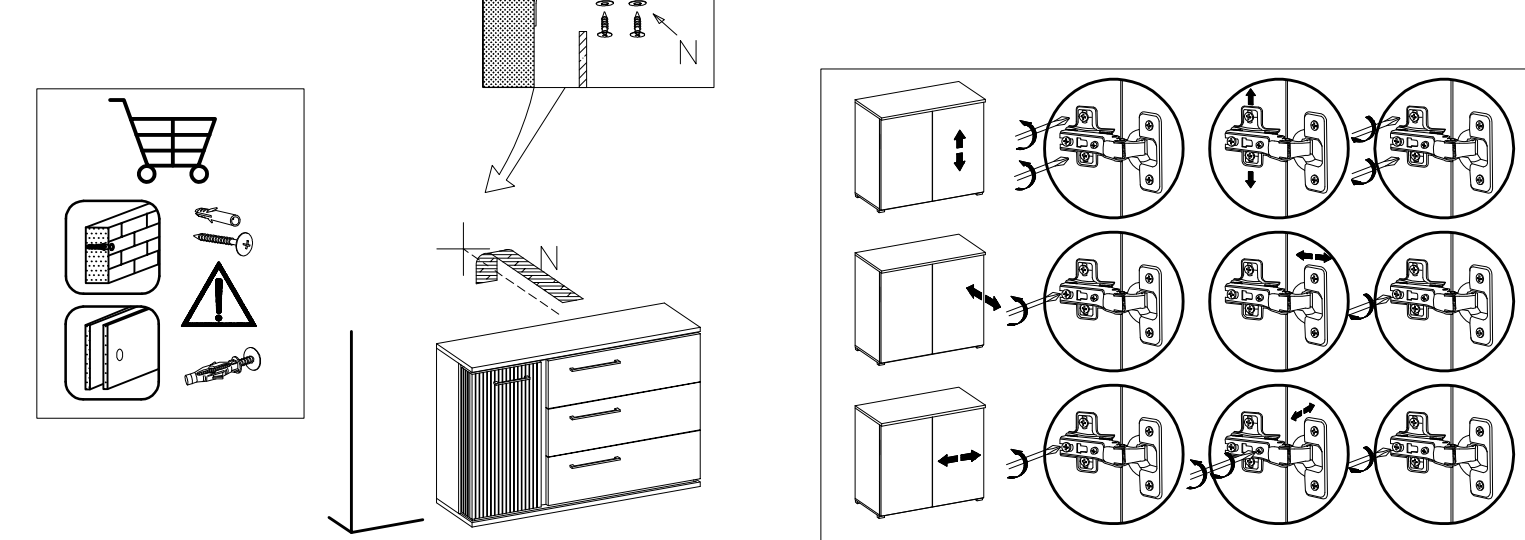
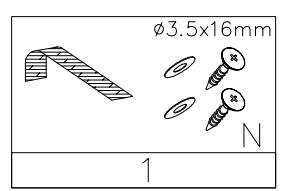


17

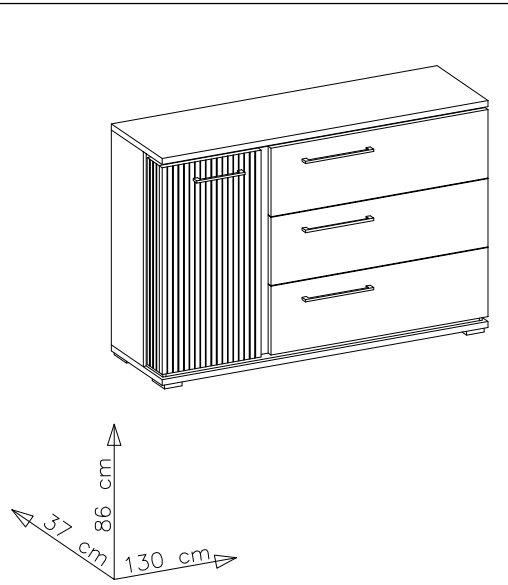
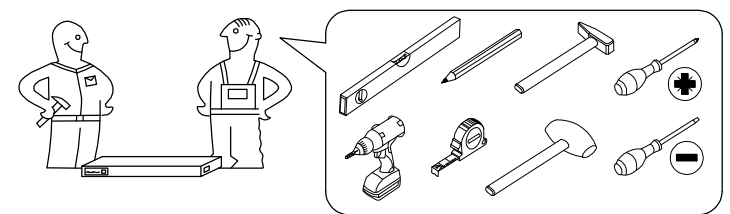


18

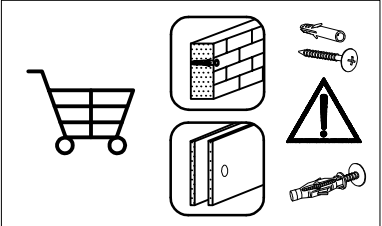
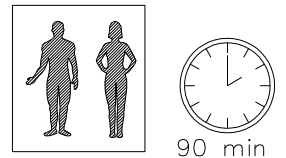
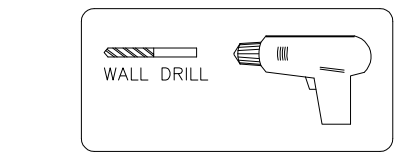
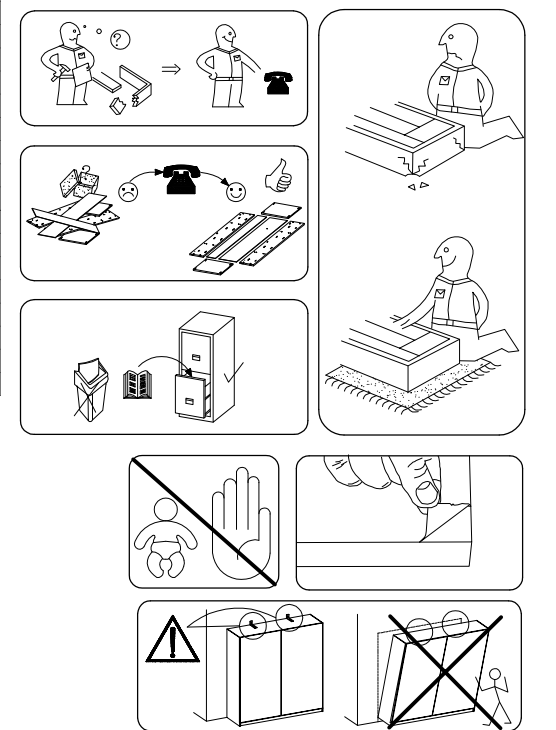
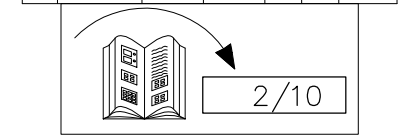
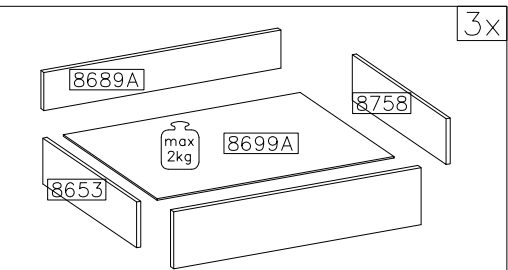
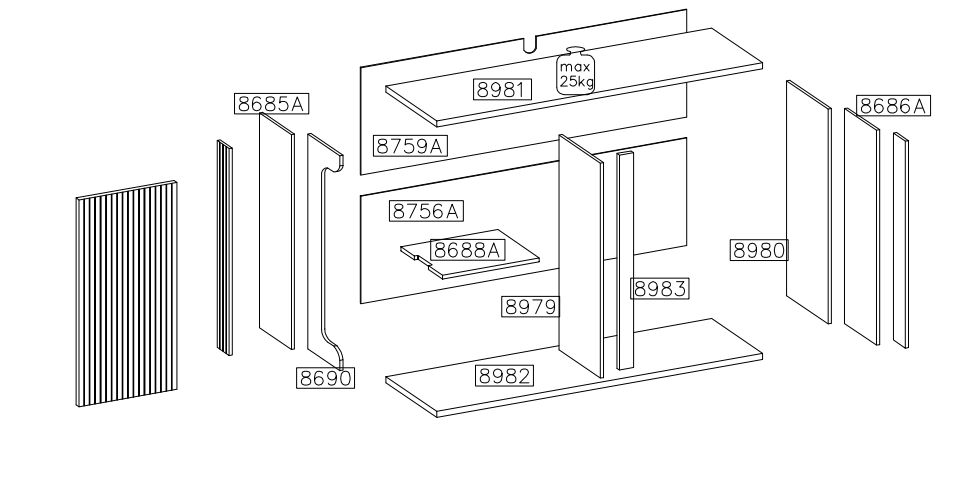


# MOLTO II

## -ML12



#	ART. NR	L	W	T	Q	Col.No
1	8685A	785	210	16	1	1
2	8686A	785	160	16	1	1
3	8979	785	314	16	1	1
4	8689A	782	123	16	3	1
5	8690	785	160	16	1	1
6	8980	785	330	16	1	1
7	8981	1300	370	25	1	2
8	8982	1300	370	25	1	2
9	8688A	416	314	16	1	2
10	8653	300	140	16	3	2
11	8758	300	140	16	3	2
12	8983	785	60	16	1	2
13	8699A	797	308	2,5	3	2
14	8759A	1283	399	2,5	1	2
15	8756A	1283	399	2,5	1	2



ø8x30mm	ø8x20mm	ø7,0x50mm	ø7,0x60mm	ø15/12mm					
A	A7	B	B1	C	D1	E	E1	F4	Z1
28	4	12	6	14	14	14	6	5	2
L	O	ø3.0x16mm P1	ø5.0x13mm P9	ø4.0x27mm P18	ø3.0x20mm P7	ø4.0x30mm P3	ø35/KR-0 G6		
10	1	34	16	6	6	20	2		
J4	S2	S3	M4.0x22mm R2	ø3.5x16mm N					
4	1	3	8	1					
									3SET

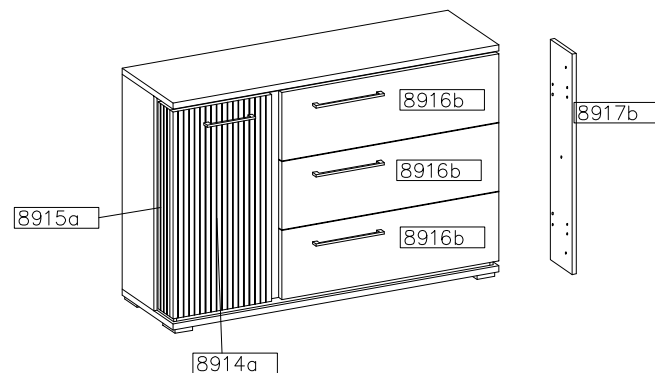
**MOLTO II**  
**-ML12**

VERSION-01 ARTISAN

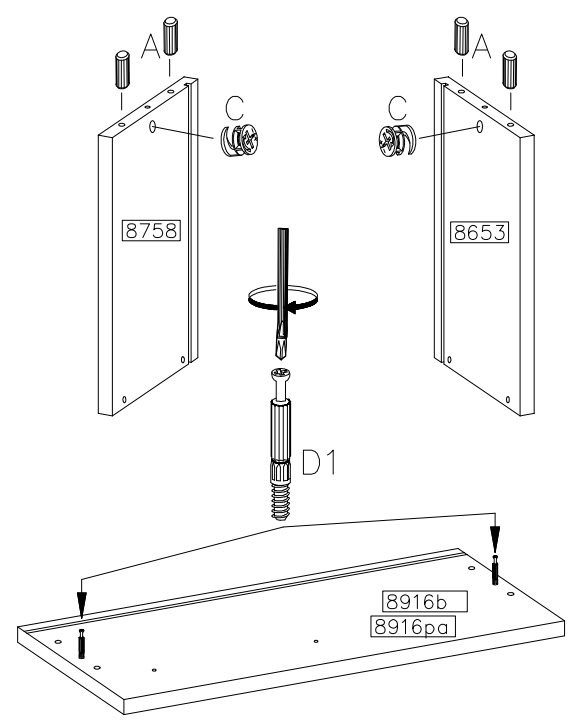
#	ART. NR	L	W	T	Q	Col.No
1	8914a	777	400	16	1	3
2	8915a	777	110	16	1	3
3	8916b	870	256	16	3	3
4	8917b	777	160	16	1	3

13

3x

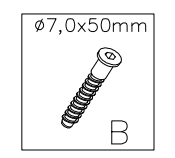
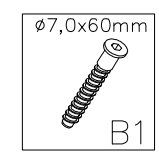
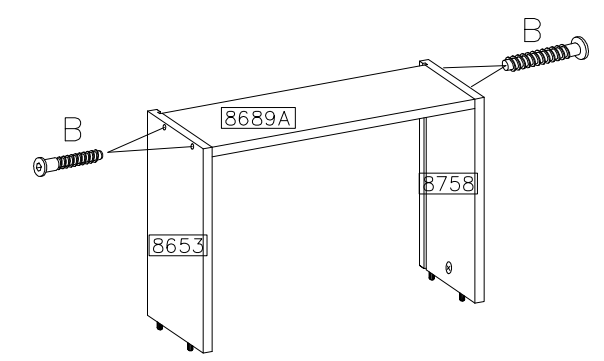
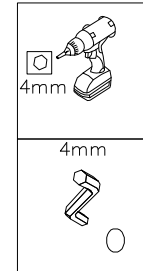
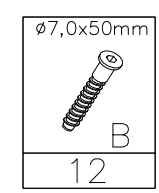


- ∅8x30mm  
A
- 12  
∅15/12mm  
C
- 6
- D1
- 6



14

3x



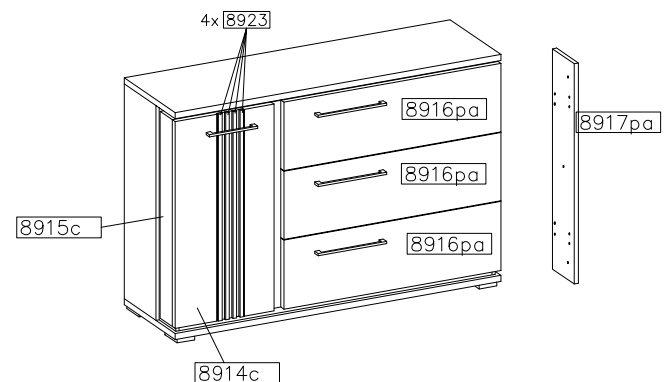
- 3.0x13mm  
P13
- 12

VERSION-03 BLACK FRONT

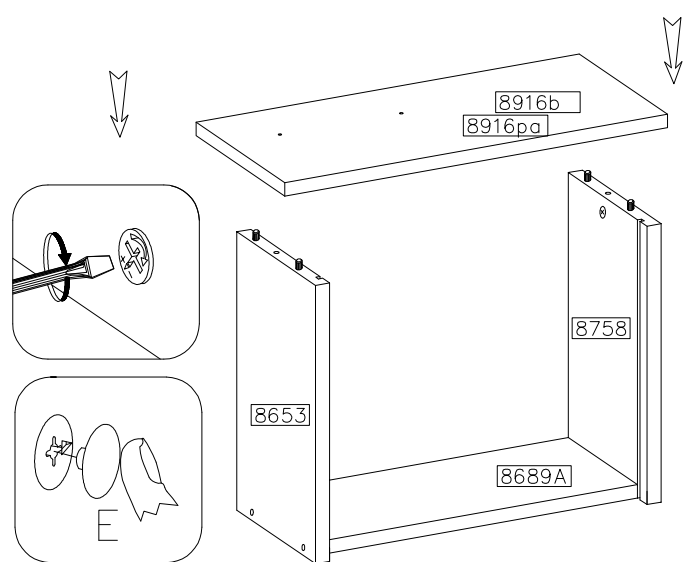
#	ART. NR	L	W	T	Q	Col.No
1	8914c	777	400	16	1	3
2	8915c	777	110	16	1	3
3	8916pa	870	256	16	3	3
4	8917pa	777	160	16	1	3
5	8923	776	16	10	4	3

15

3x

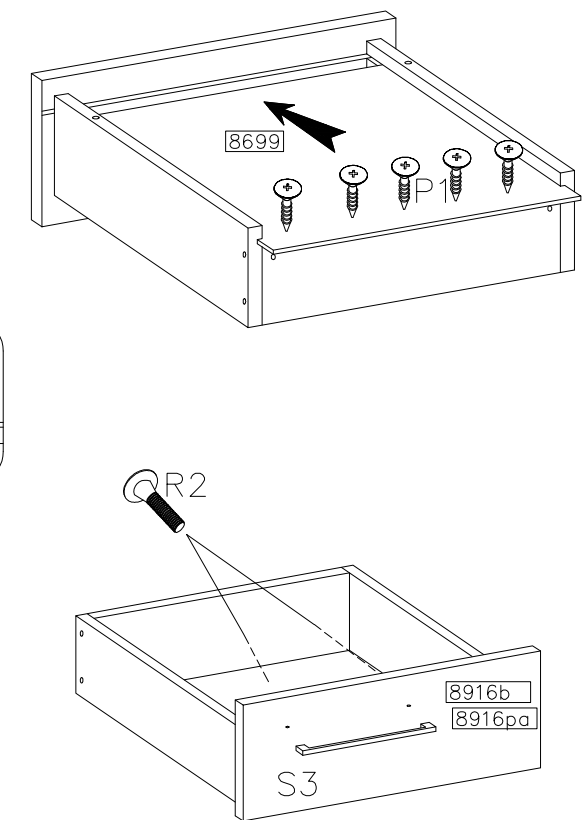
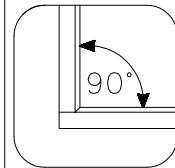
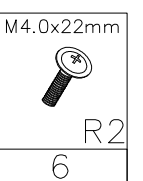
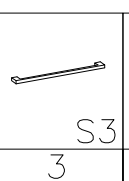
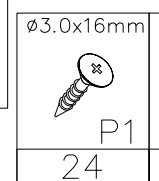


- E
- 6



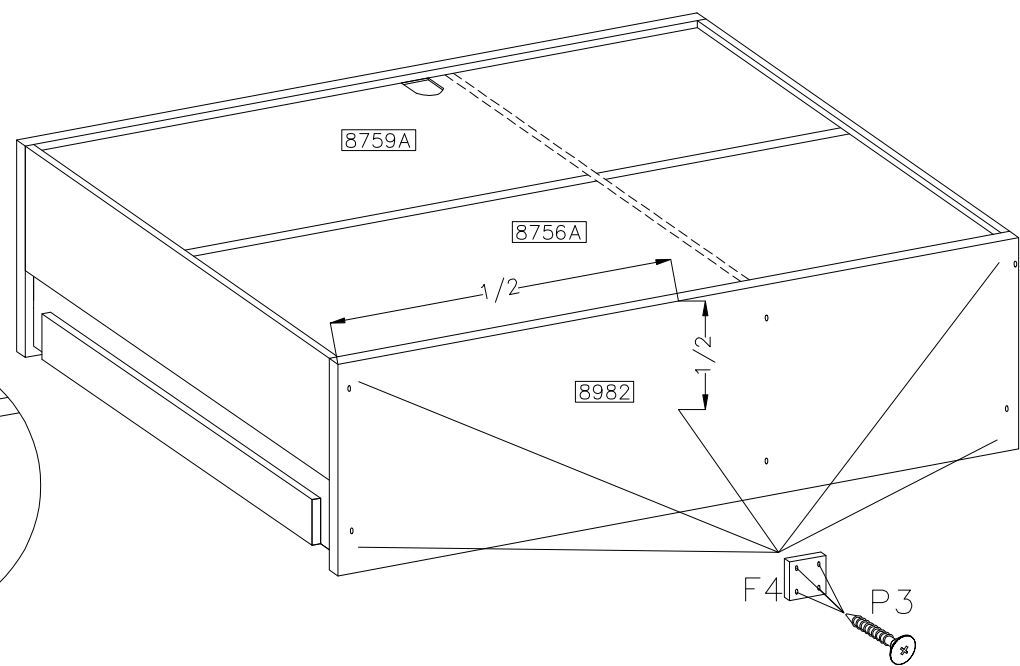
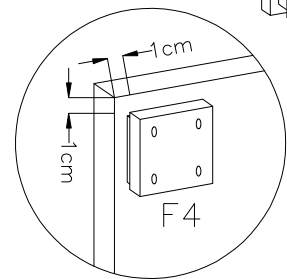
16

3x



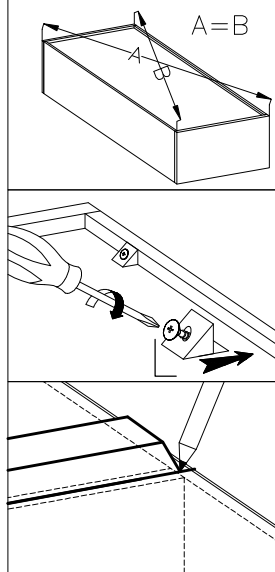
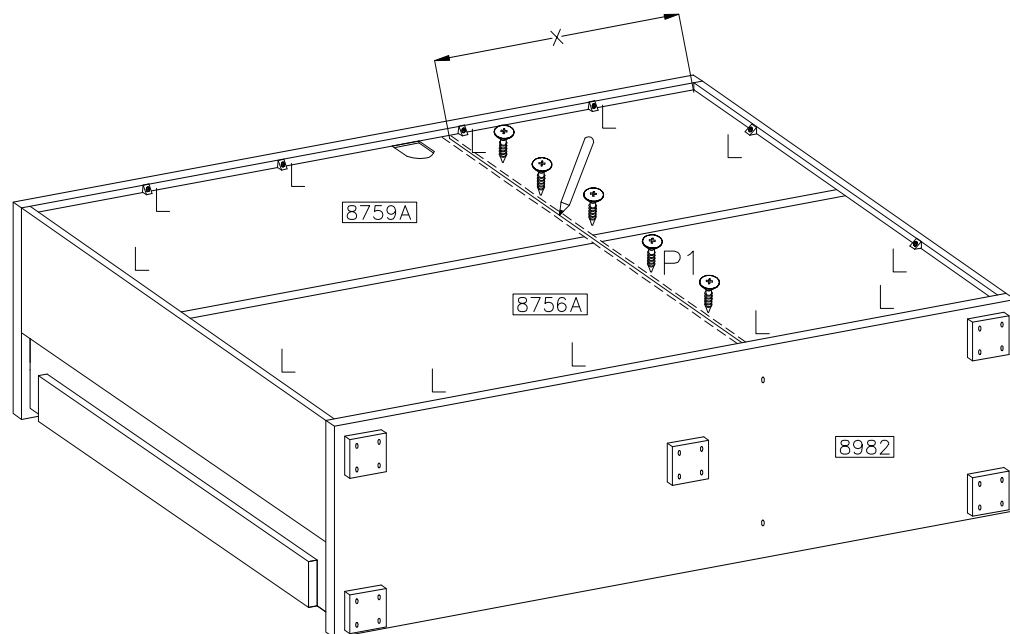
10

	F4
5	
∅4.0x30mm	
	P3
20	



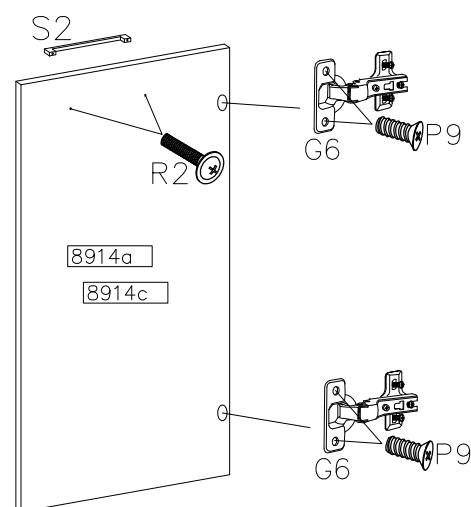
11

	L
10	
∅3.0x16mm	
	P1
10	



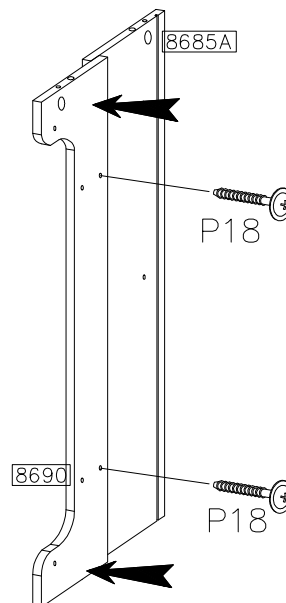
12

	∅35/KR-0		5.0x13mm
G6		P9	
2		4	
	M4.0x22mm		
S2		R2	
1		2	



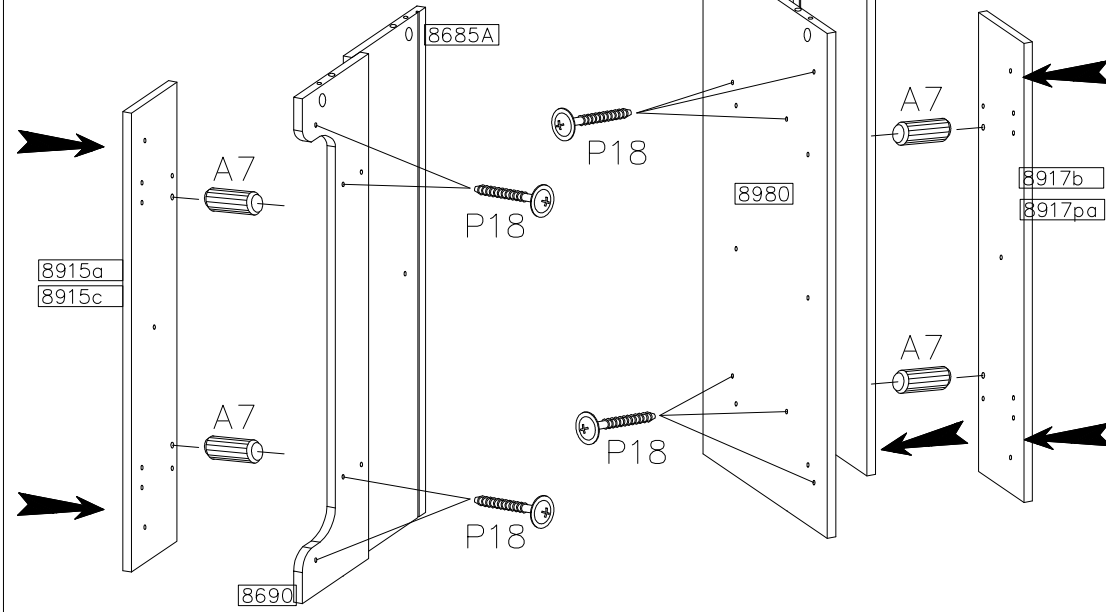
1

	∅4.0x27mm
P18	
2	



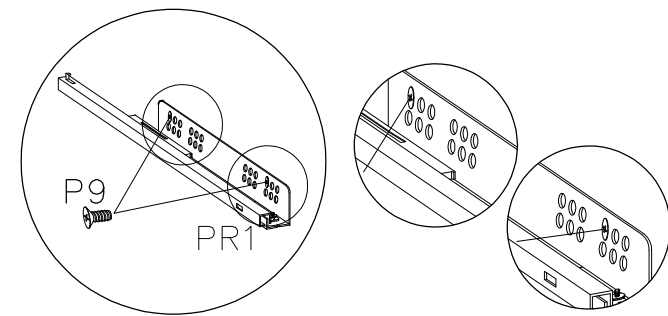
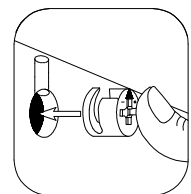
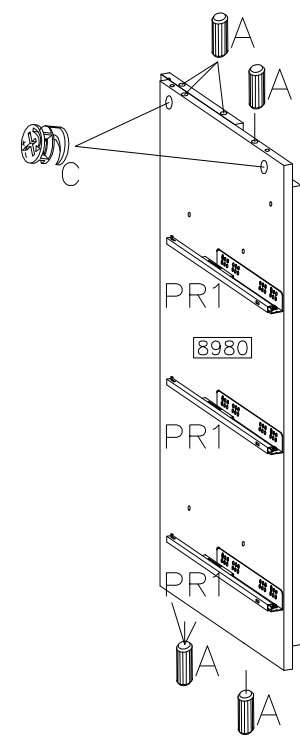
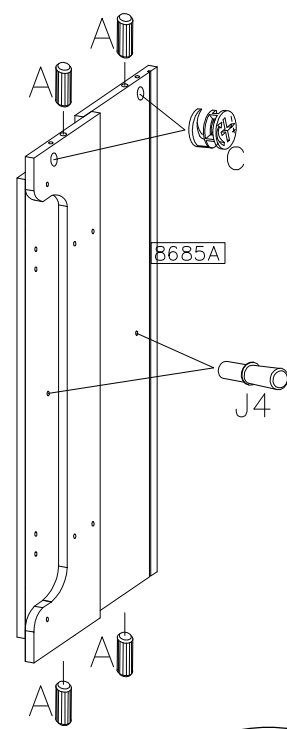
2

	∅4.0x27mm		∅8x20mm
P18		A7	
4		4	



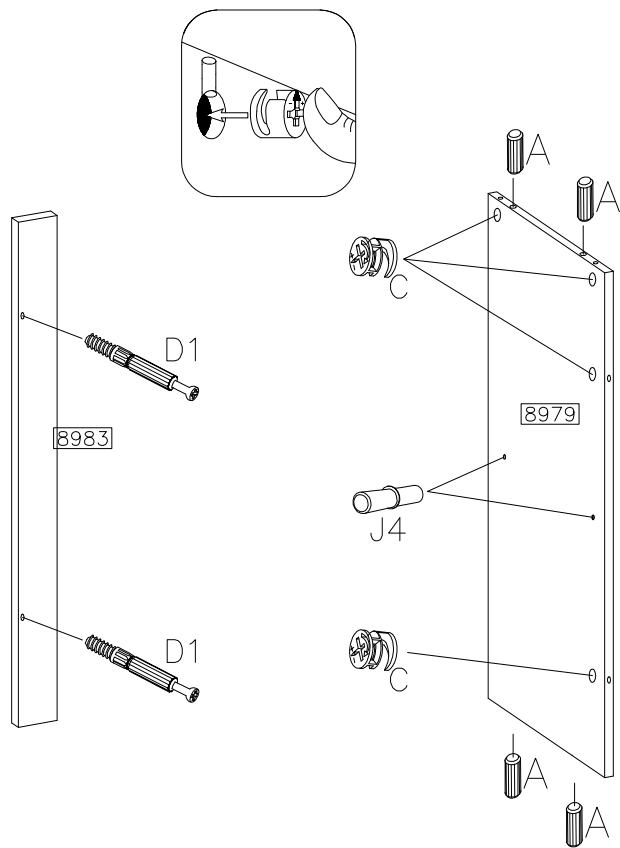
3

	∅8x30mm		∅15/12mm						∅5.0x13mm
A		J4		C		PR1		P9	
12		2		4		3SET		6	



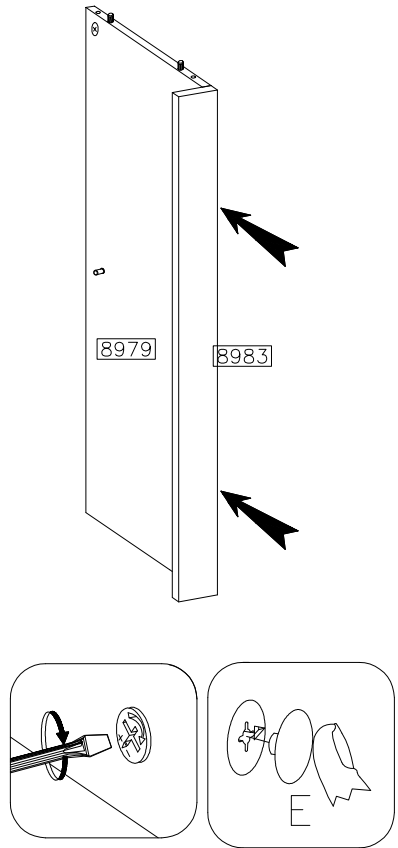
4

$\varnothing 8 \times 30 \text{mm}$ A	J4	$\varnothing 15/12 \text{mm}$ C	D1
4	2	4	2



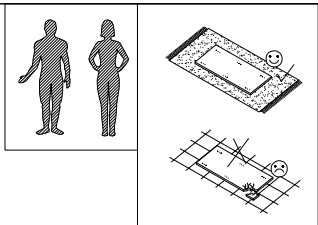
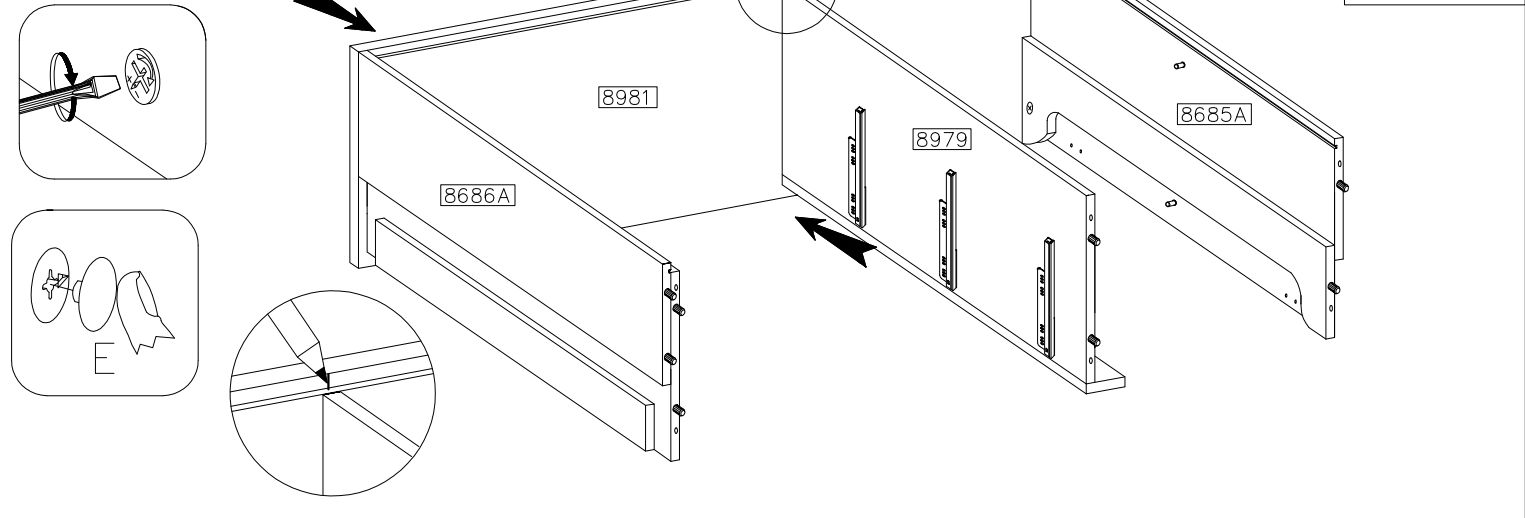
5

E
2



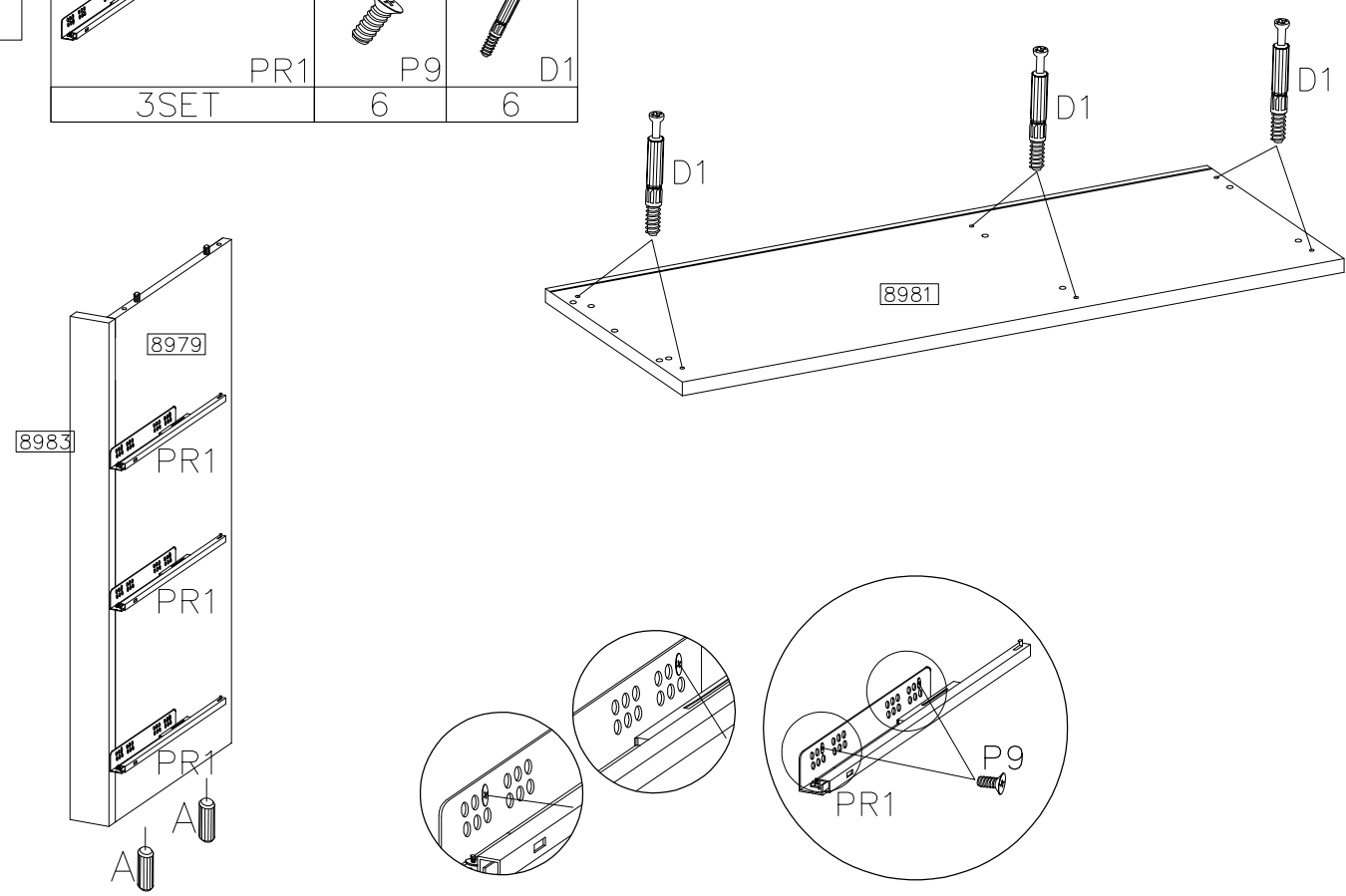
7

E
6



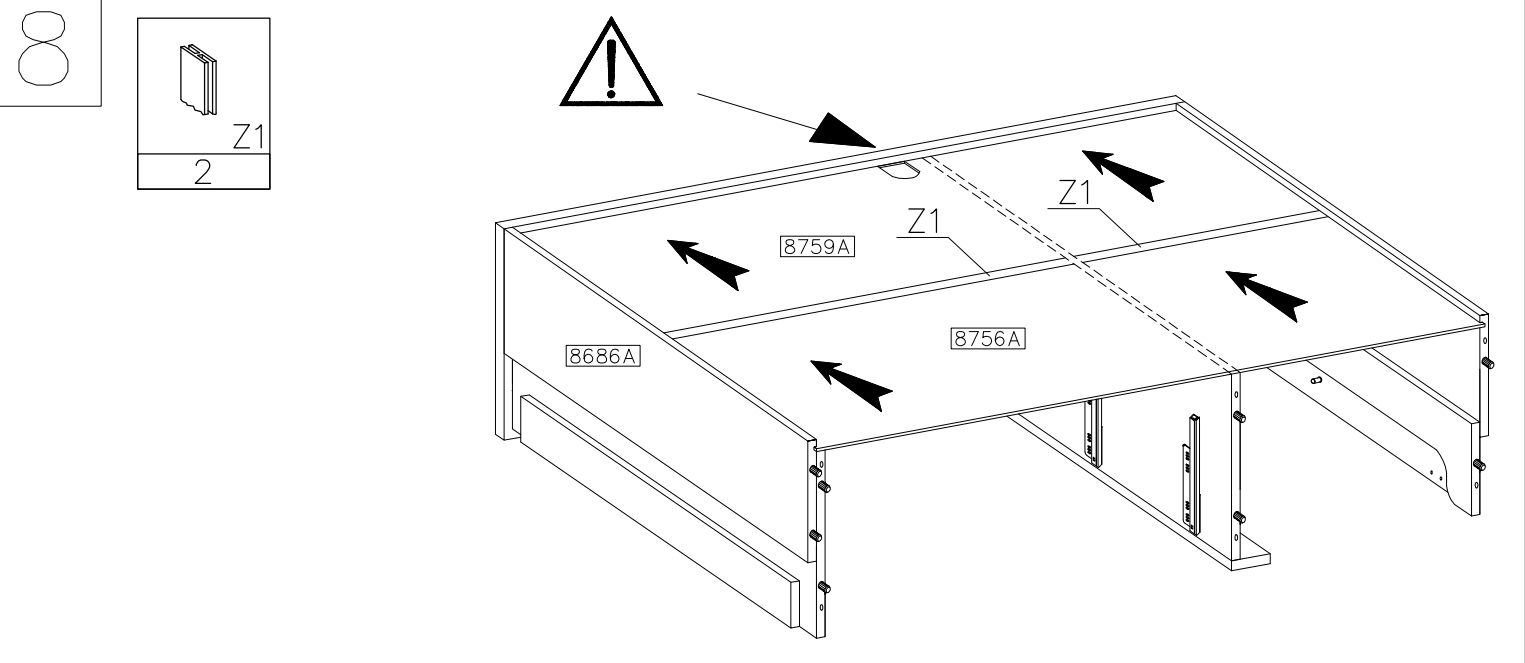
6

L PR1	$\varnothing 5.0 \times 13 \text{mm}$ P9	D1
3SET	6	6



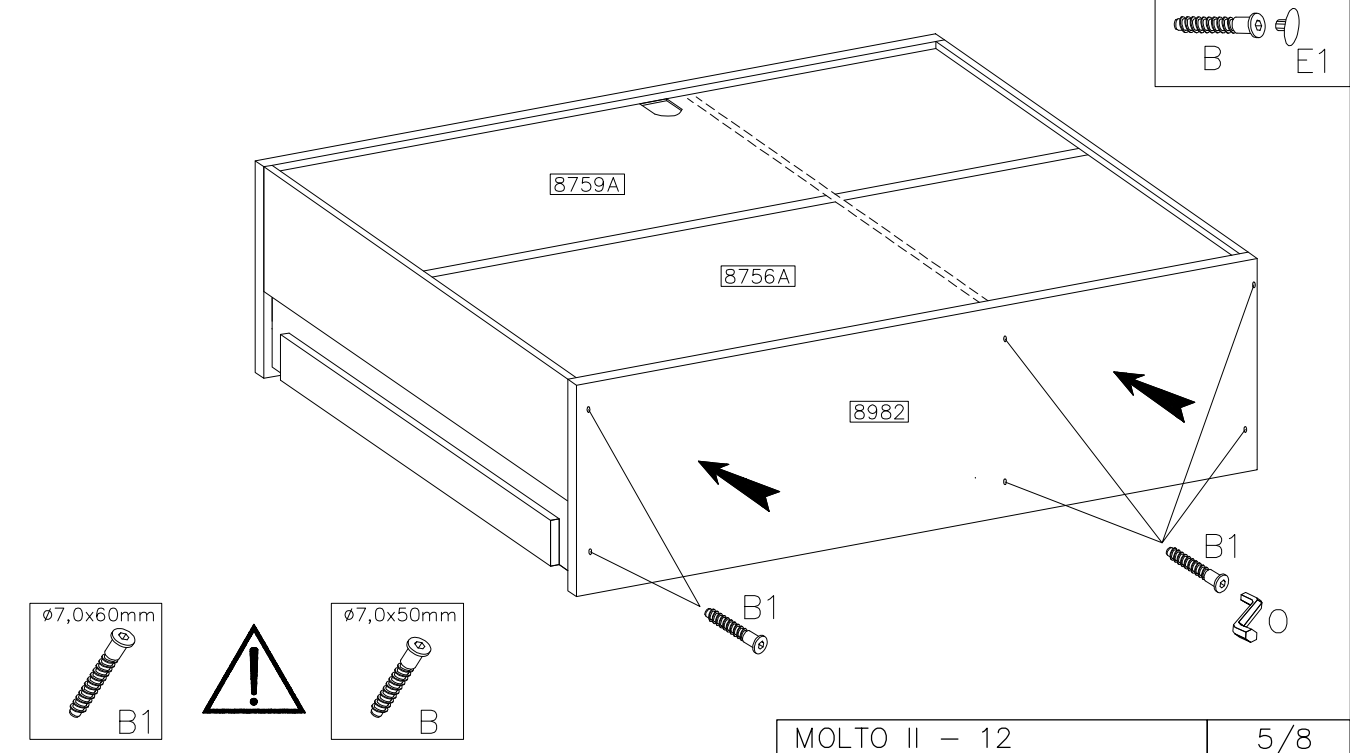
8

Z1
2



9

$\varnothing 7,0 \times 60 \text{mm}$ B1
6
0
1
E1
6



B	E1
---	----