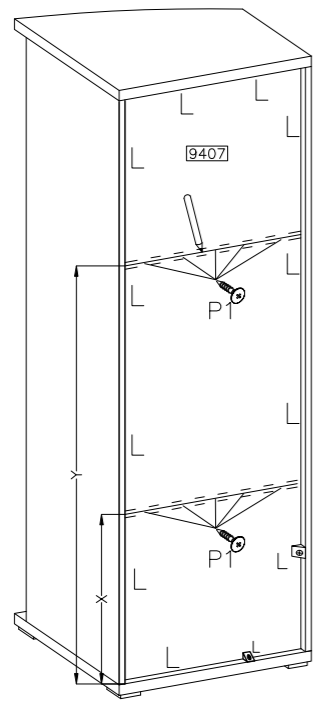
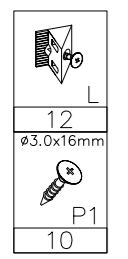
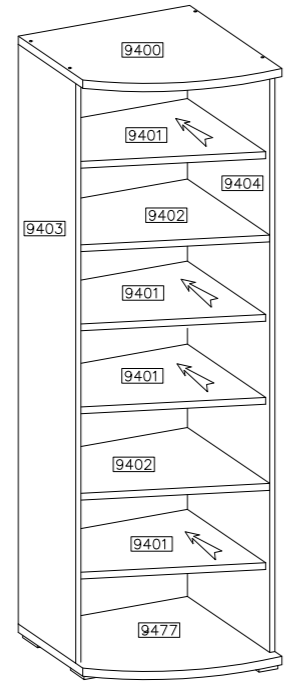


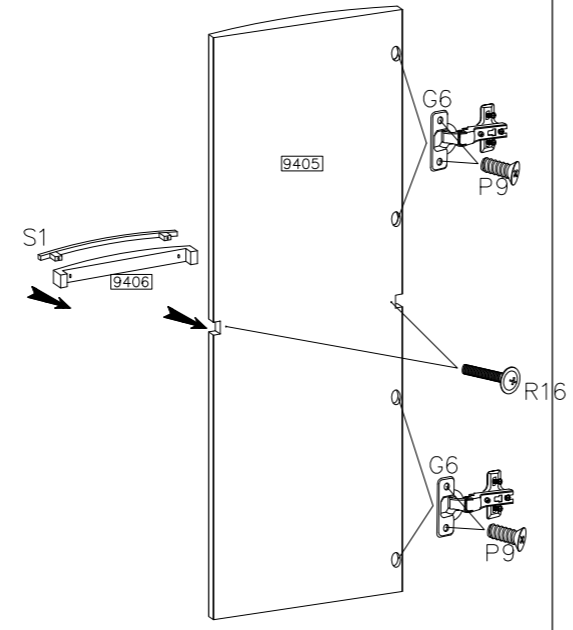
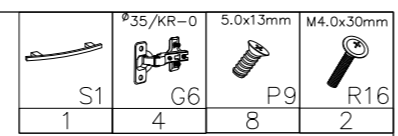
6



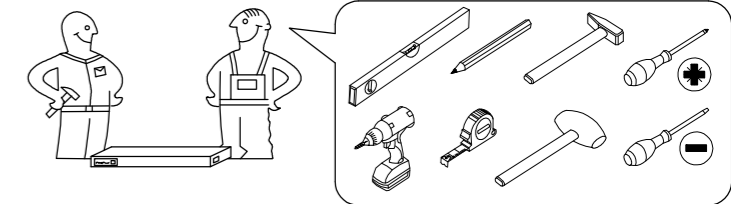
7



8

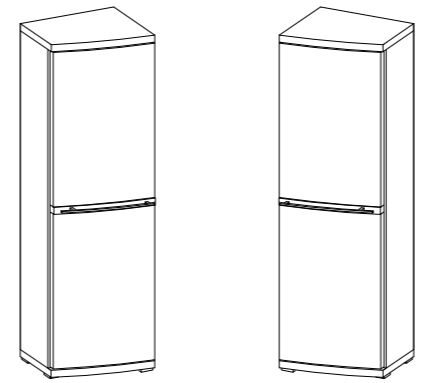


CANDY C3

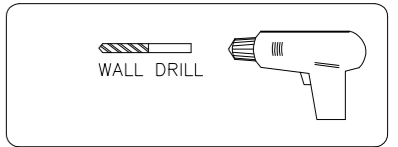
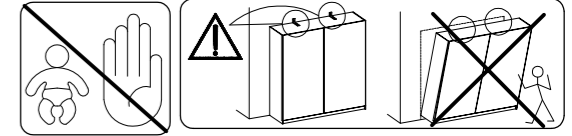
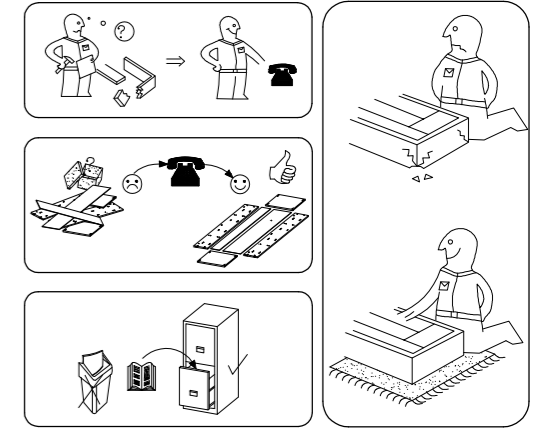


VERSION-L

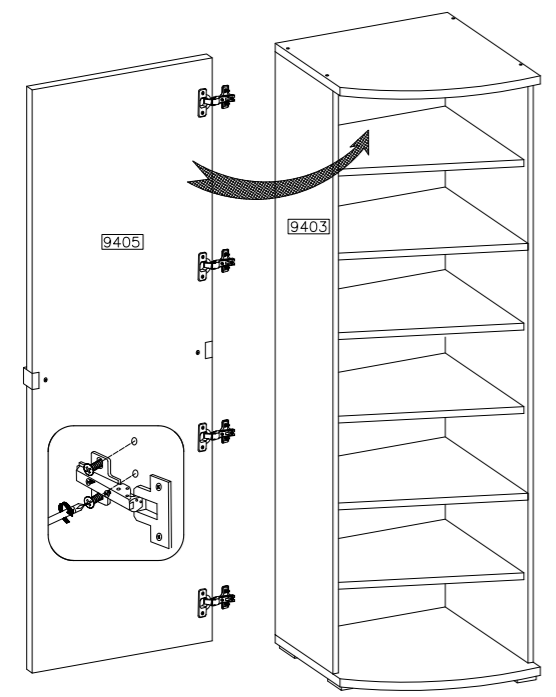
VERSION-R



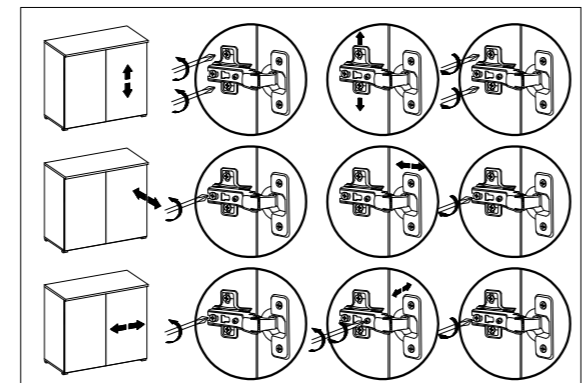
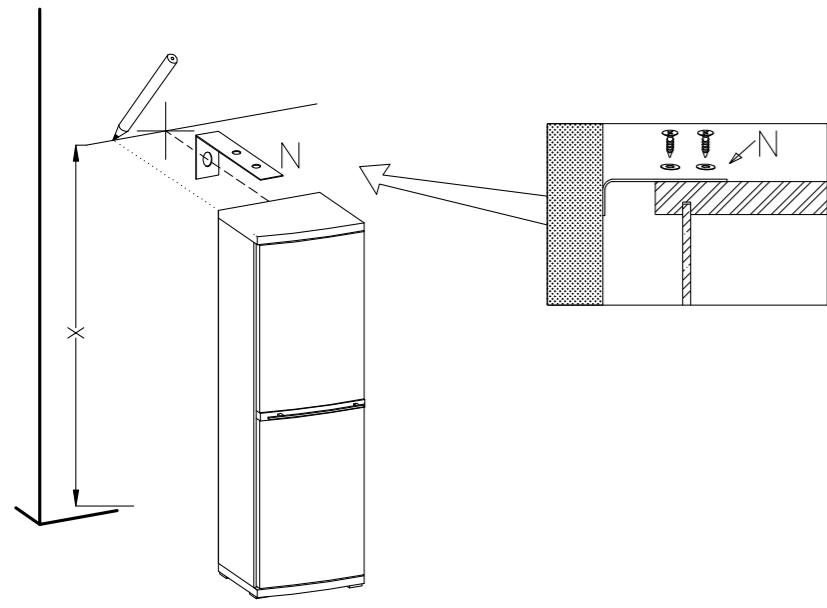
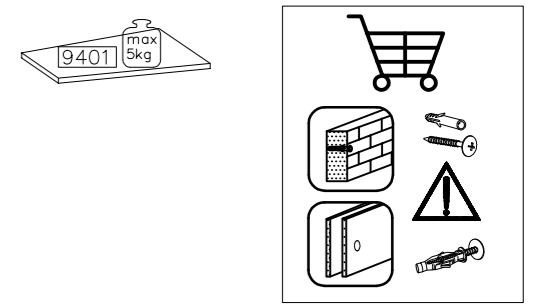
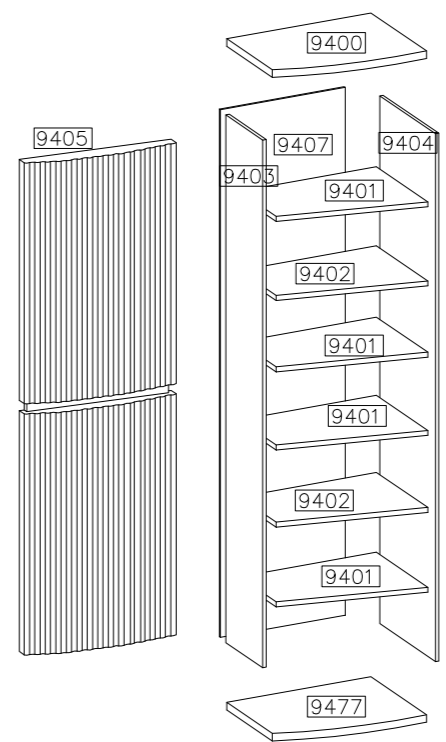
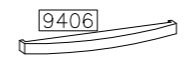
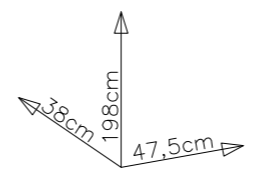
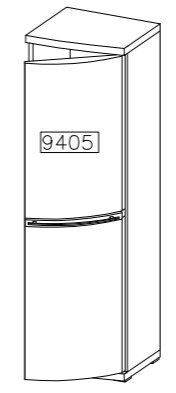
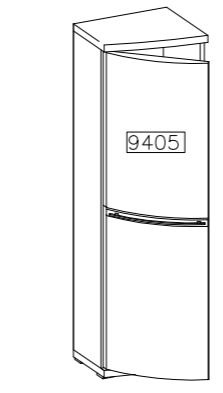
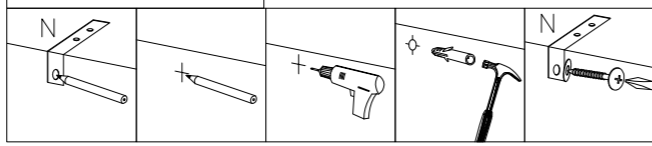
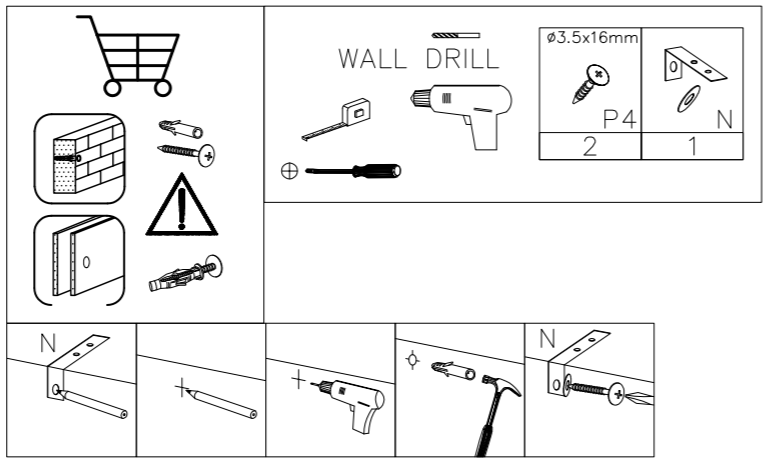
#	ART. NR		L	W	T	Q	Col.No
	artisan	carpenter					
1	9400a	9400c	490	380	22	1	1
2	9477a	9477c	490	380	22	1	1
3	9401a	9401c	458	325	16	4	1
4	9402a	9402c	458	335	16	2	1
5	9403a	9403c	1910	246	16	1	1
6	9404a	9404c	1910	356	16	1	1
7	9405a	9405c	1902	500	25	1	2
8	9406a	9406c	32	500	32	1	2
9	9407a	9407c	473	1925	2,5	1	2



9







10



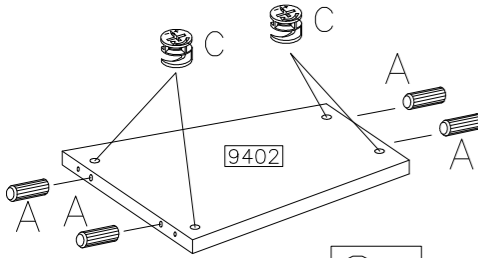
16	8	8	8	8	8	12	1	2
16	1	8	4	4	16	10	1	2



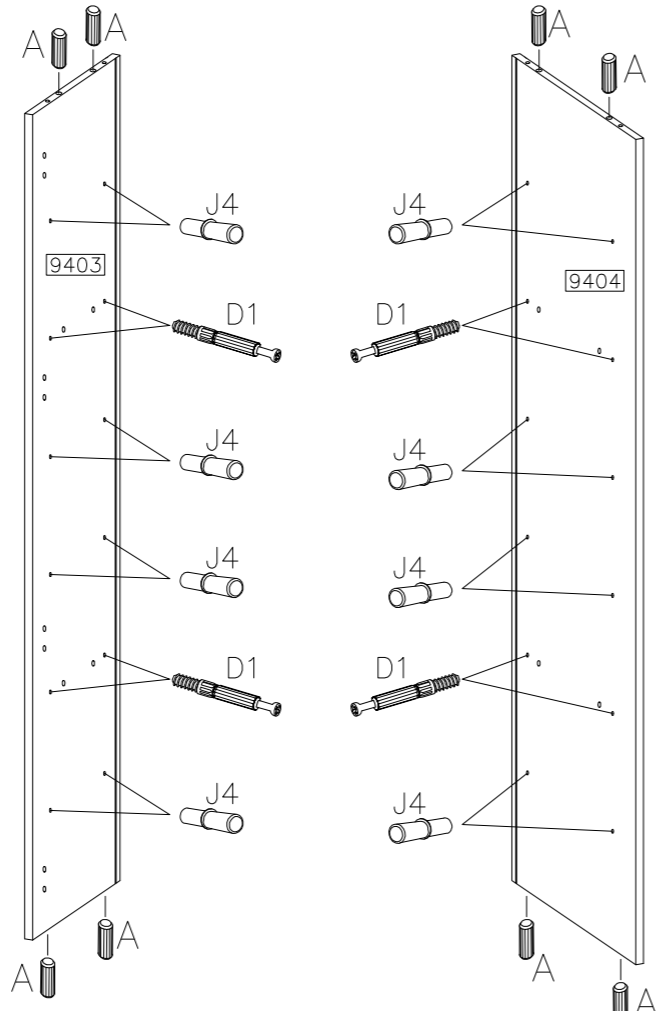
1

 D1 8	 C 8
 A 16	 J4 16


$\phi 15/12\text{mm}$
 $\phi 8 \times 30\text{mm}$

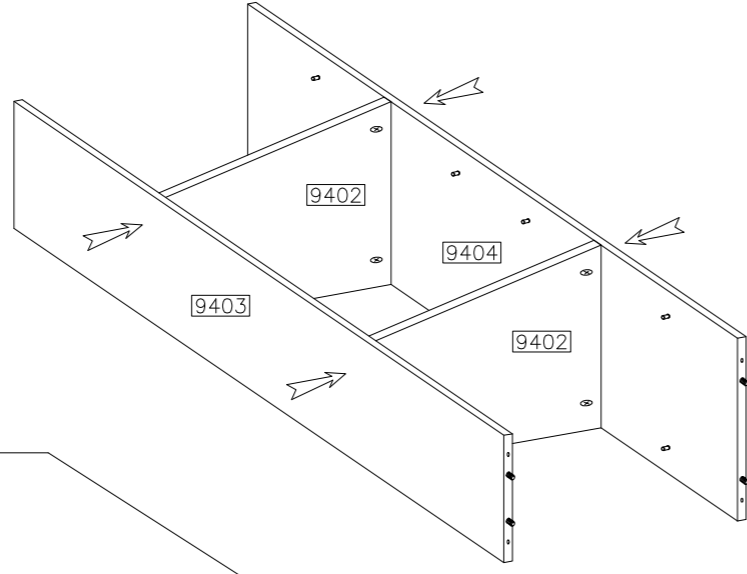
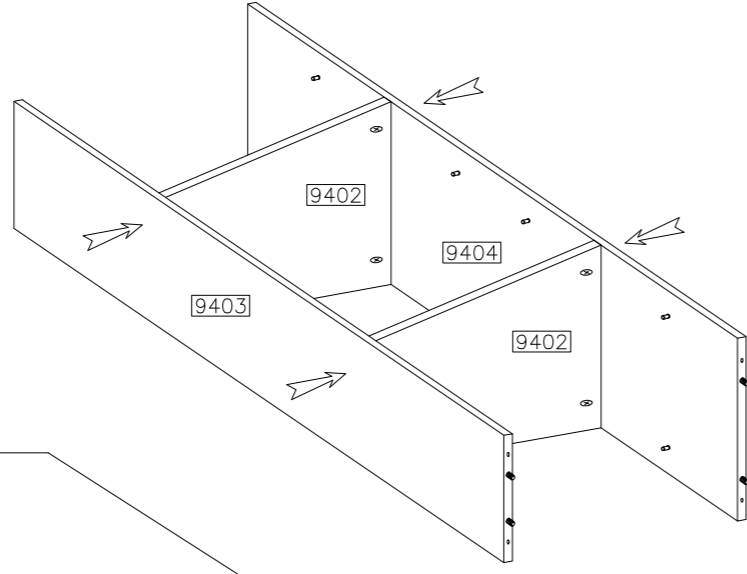


2x





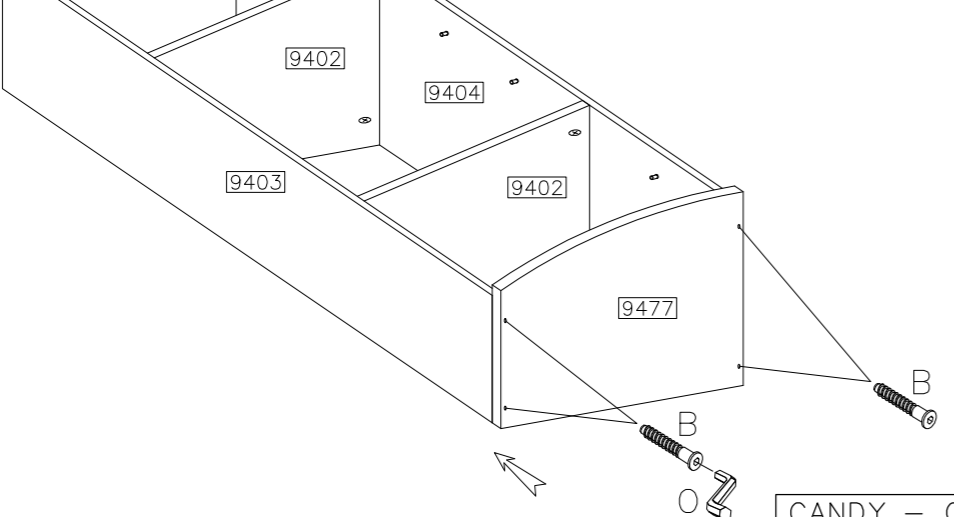
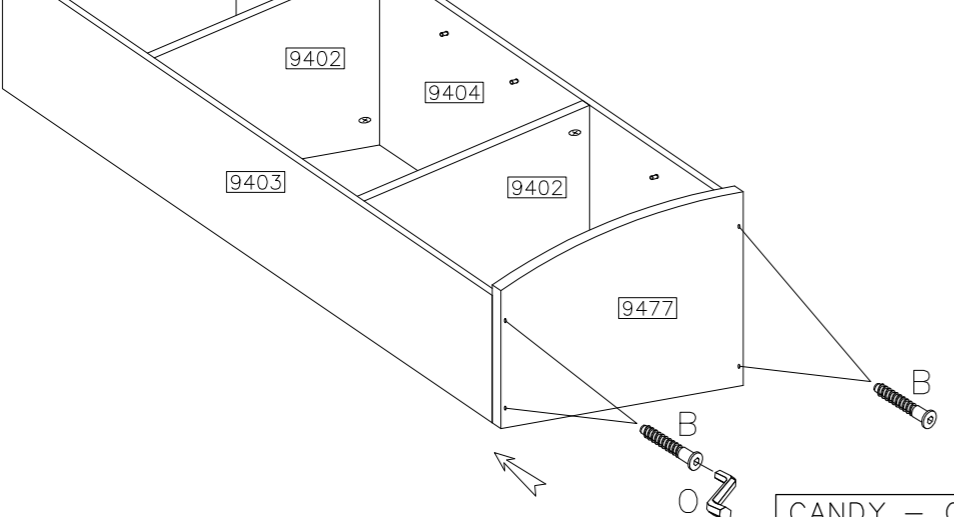
2

 E 8




3

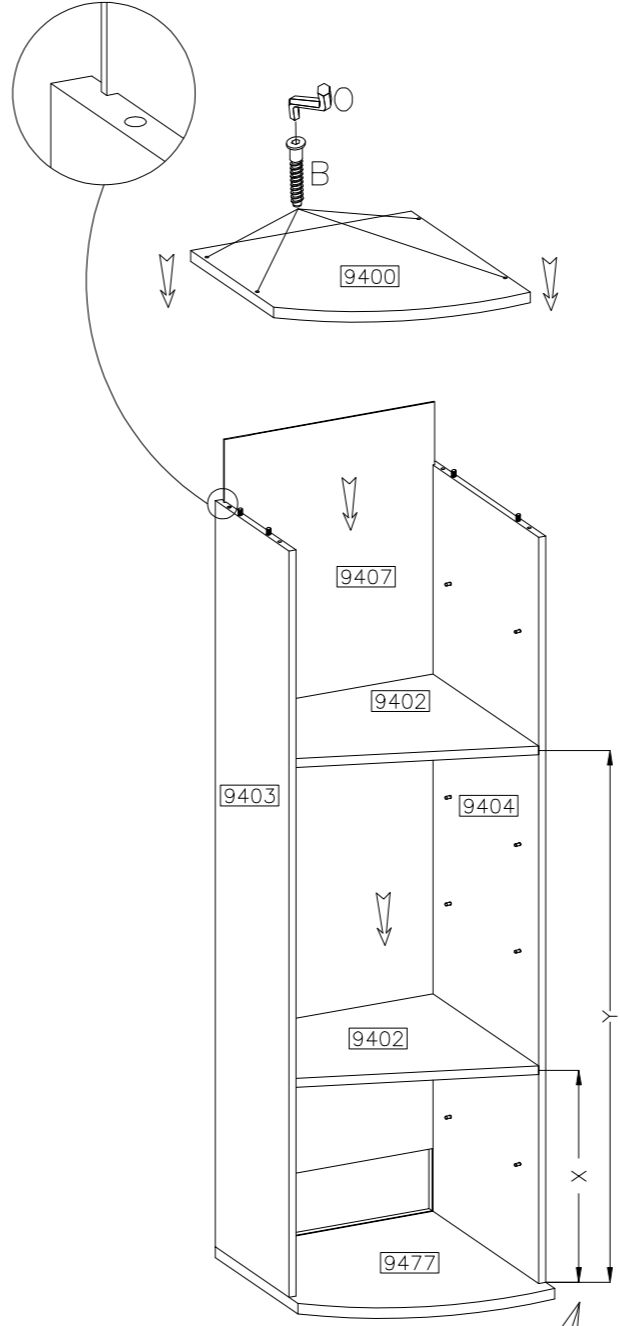
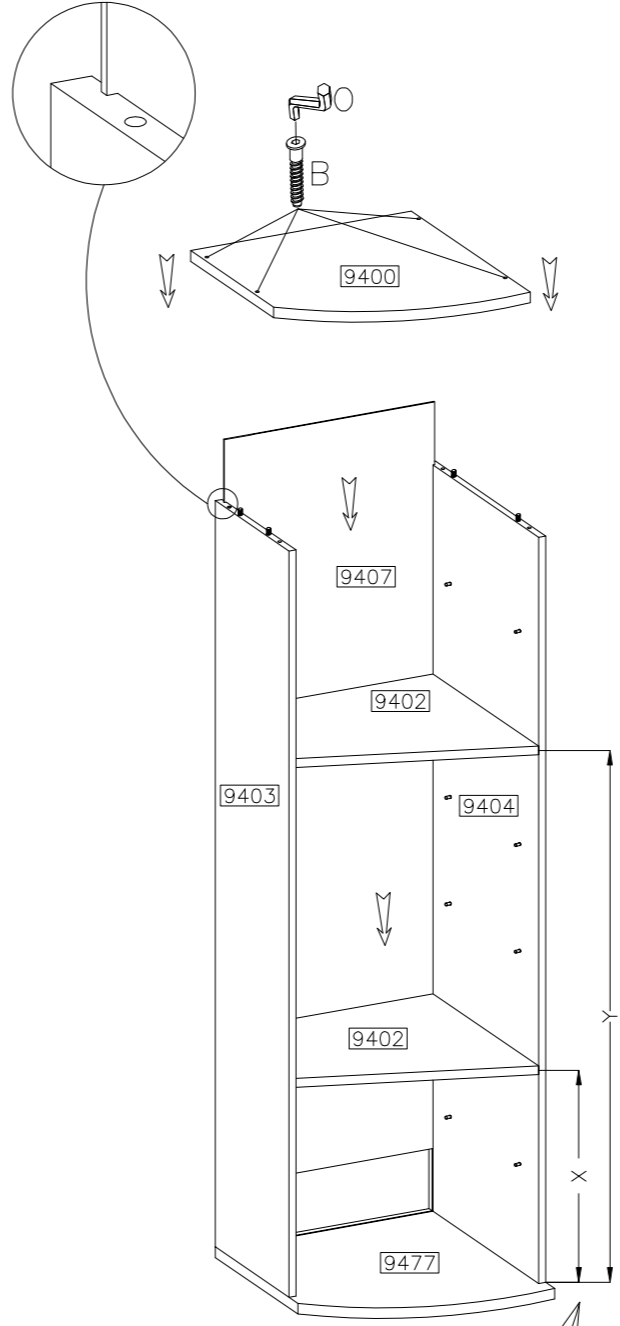
 B 4	 E1 4
--	---

CANDY - C3 2/4

4

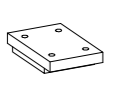

 B 4	 E1 4	 O
--	---	---

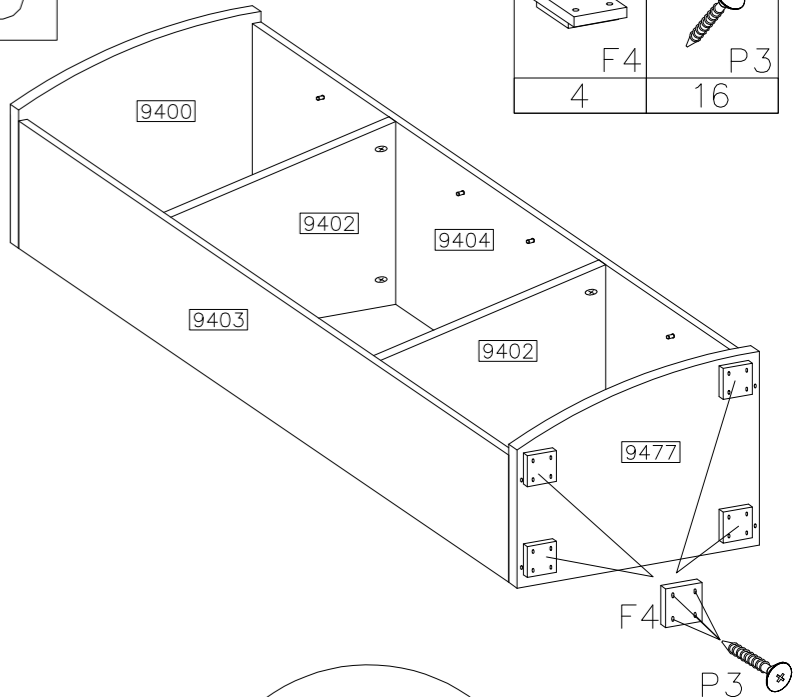
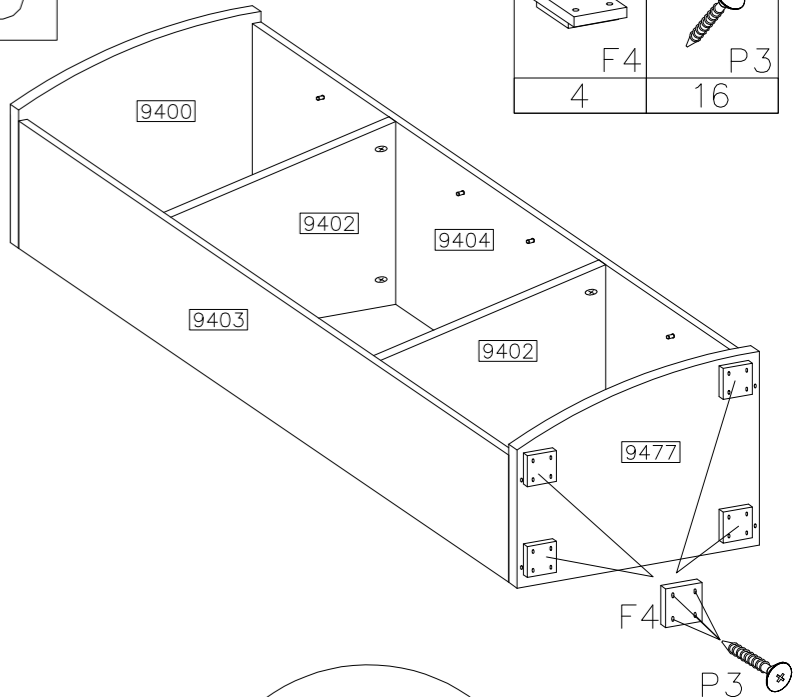



CANDY - C3 3/4

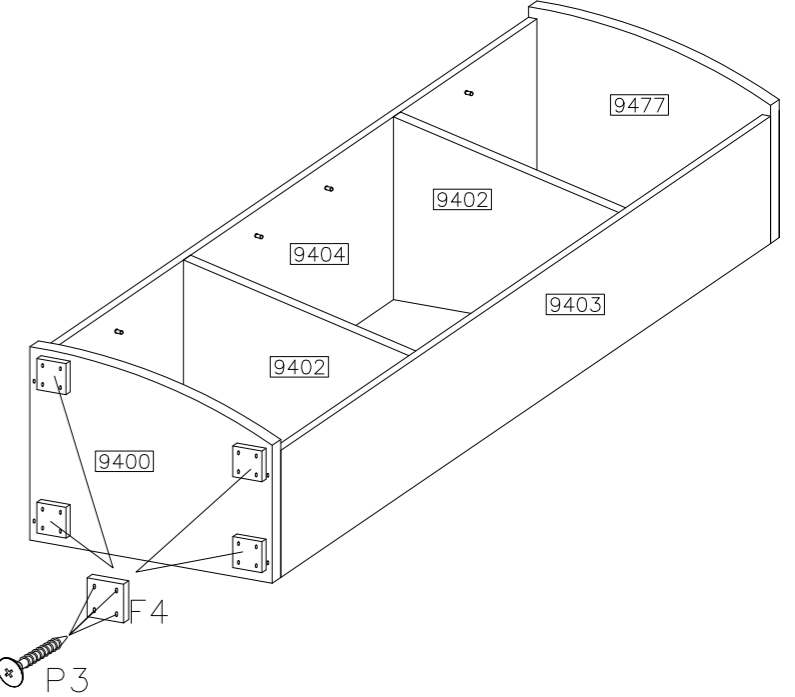
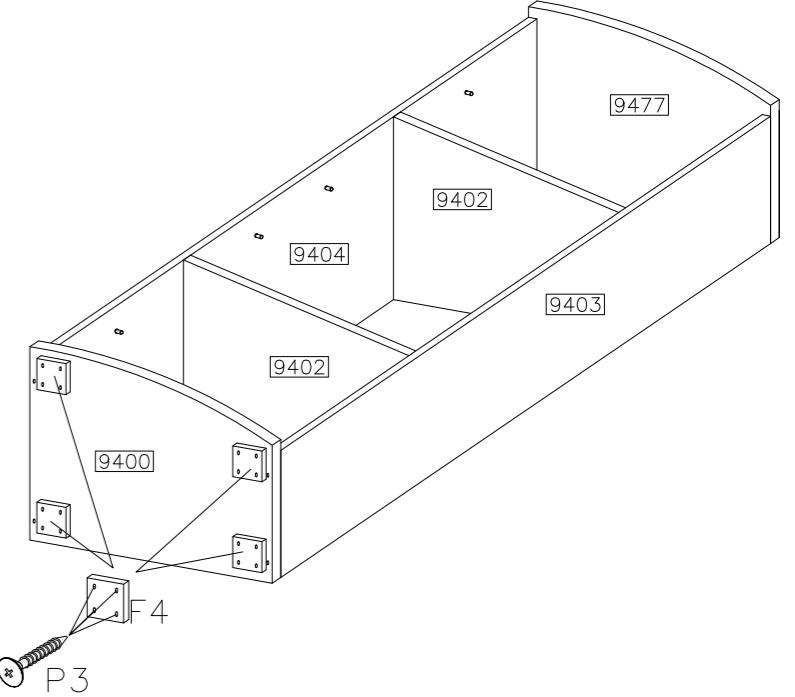
5

VERSION-L

 F4 4	$\phi 4.0 \times 30\text{mm}$  P3 16
---	---

VERSION-R

CANDY - C3 3/4