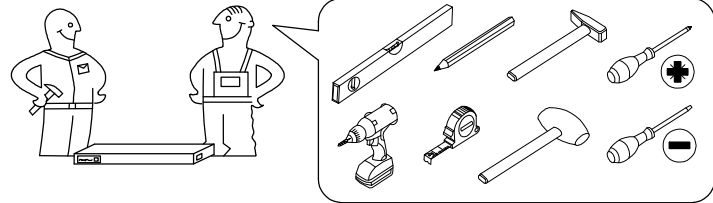
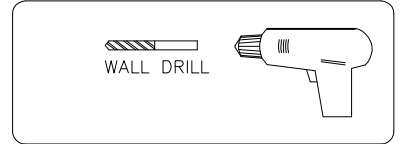
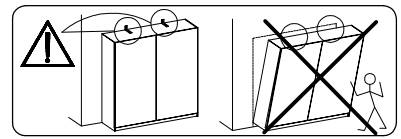
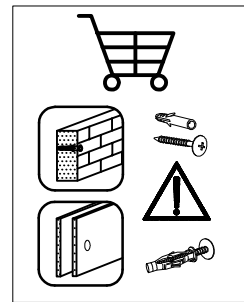
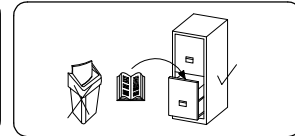
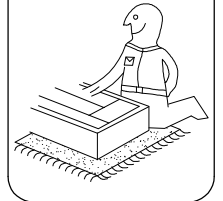
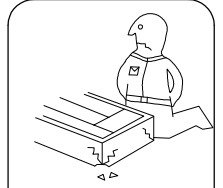
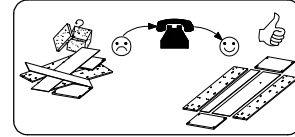
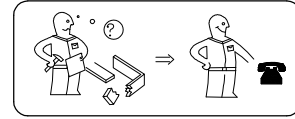
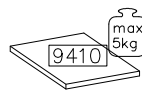
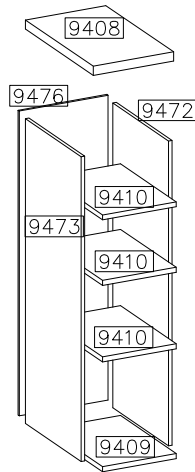
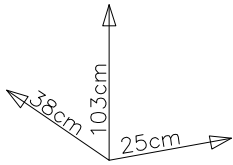
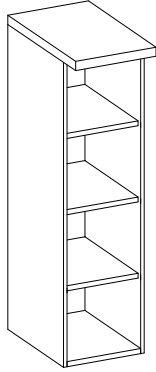


CANDY

C11



#	ART. NR		L	W	T	Q	Col.No
	artisan	carpenter					
1	9408a	9408c	250	380	22	1	1
2	9472a	9472c	1005	360	16	1	1
3	9473a	9473c	1005	360	16	1	1
4	9409a	9409c	218	340	16	1	1
5	9410a	9410c	218	330	16	3	1
6	9476a	9476c	233	1010	2,5	1	1

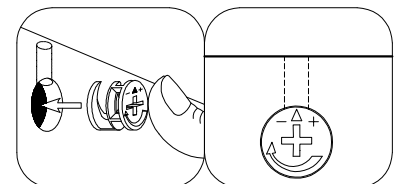
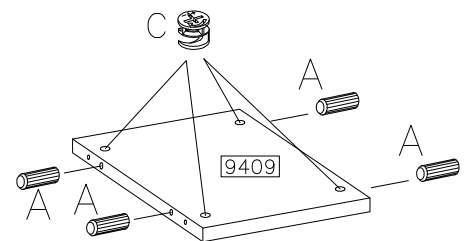
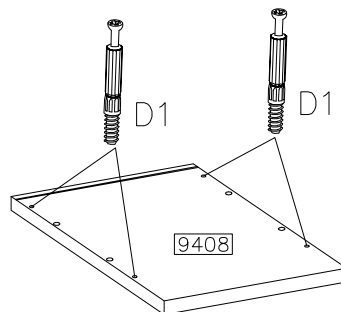


$\varnothing 8 \times 30 \text{mm}$ A 8	$\varnothing 15/12 \text{mm}$ C 8	 D1 8	 E 8	 L 6	 J4 12	$\varnothing 4.0 \times 30 \text{mm}$ P3 2
---	---	-------------	------------	------------	--------------	--



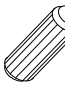



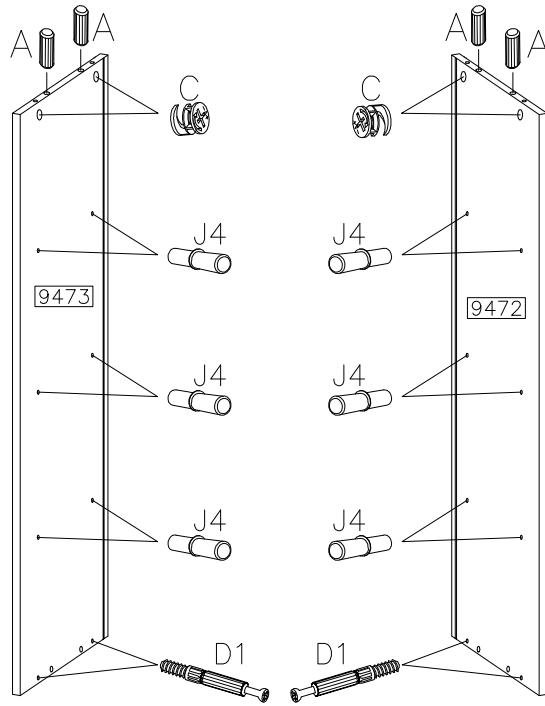
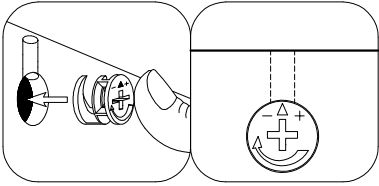
1

 D1 4	$\varnothing 15/12 \text{mm}$ C 4
$\varnothing 8 \times 30 \text{mm}$ A 4	

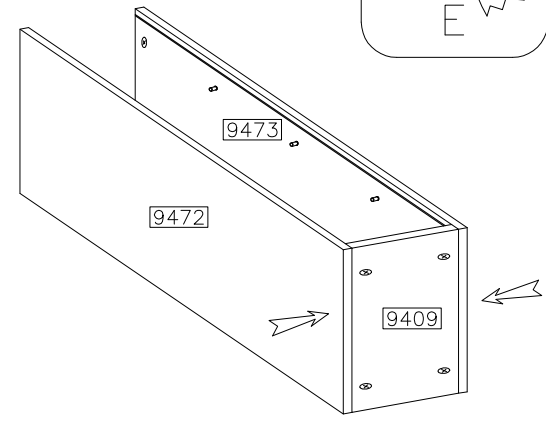
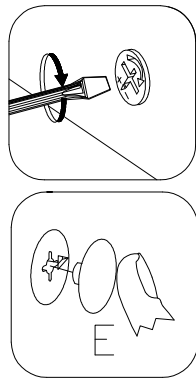
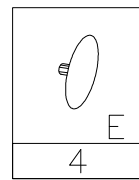


2

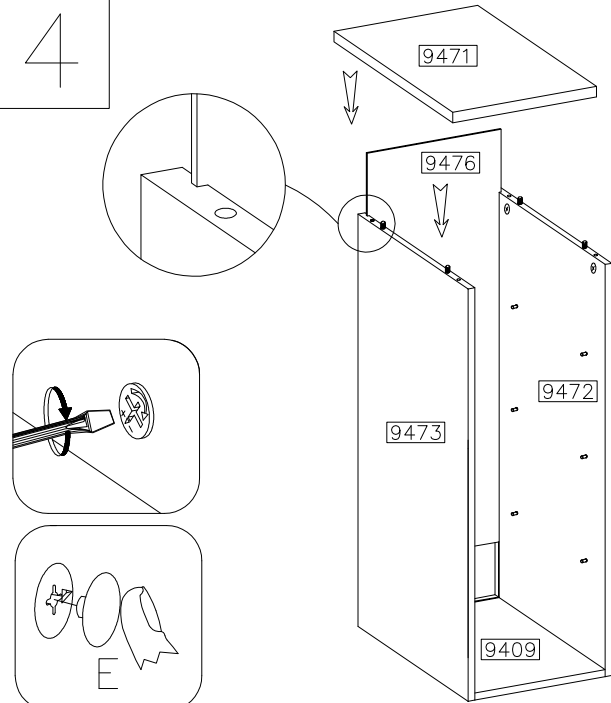
	
4	12
∅8x30mm	∅15/12mm
	
4	4



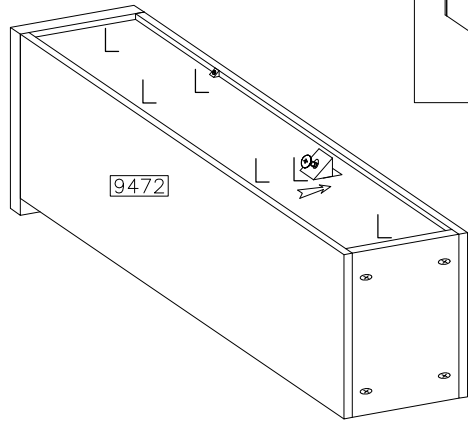
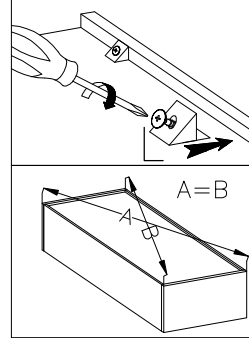
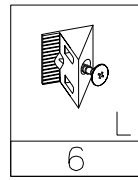
3



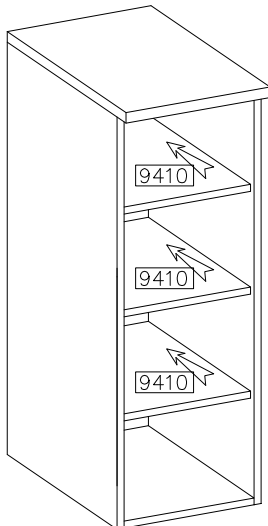
4



5



6



7

