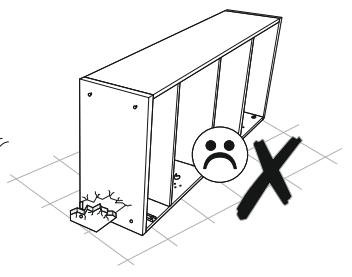
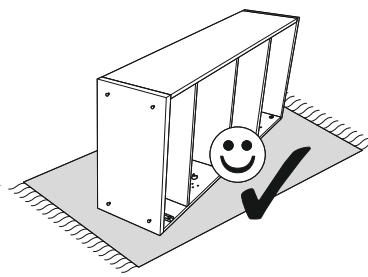
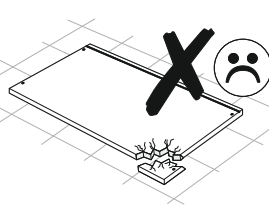
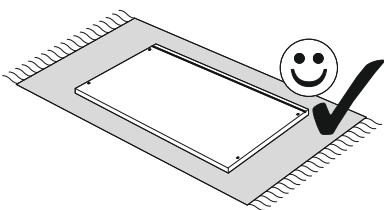
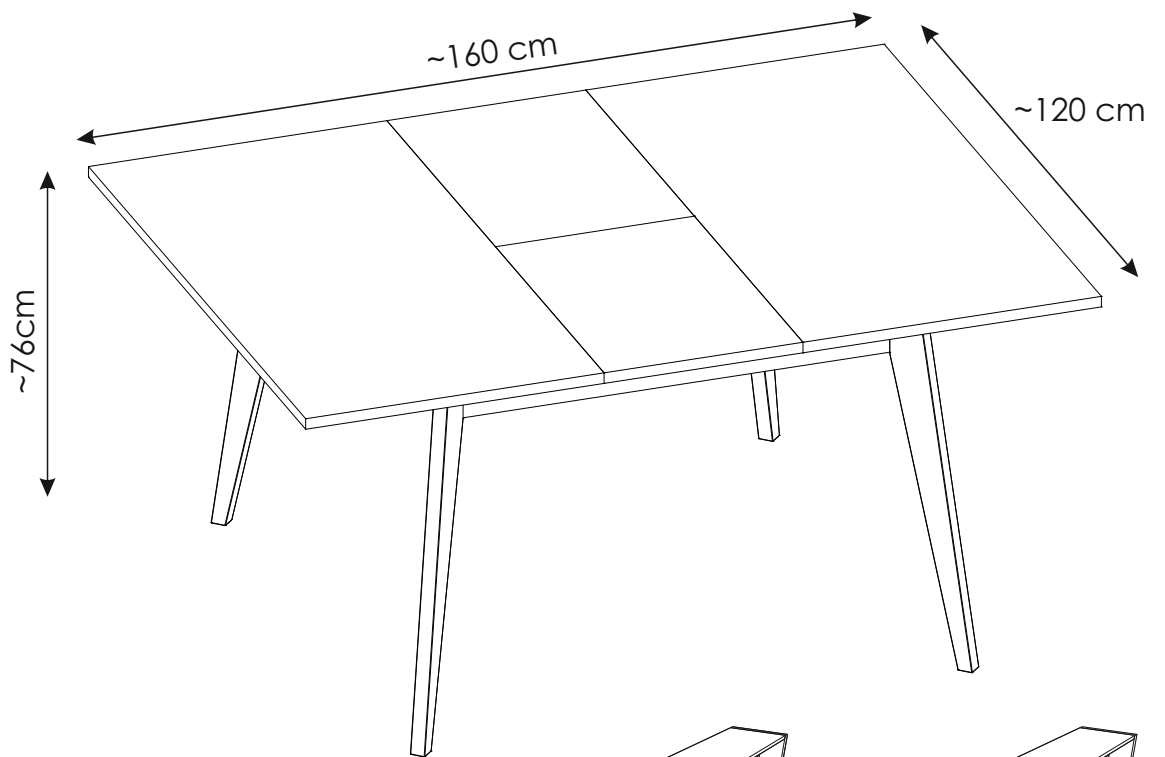
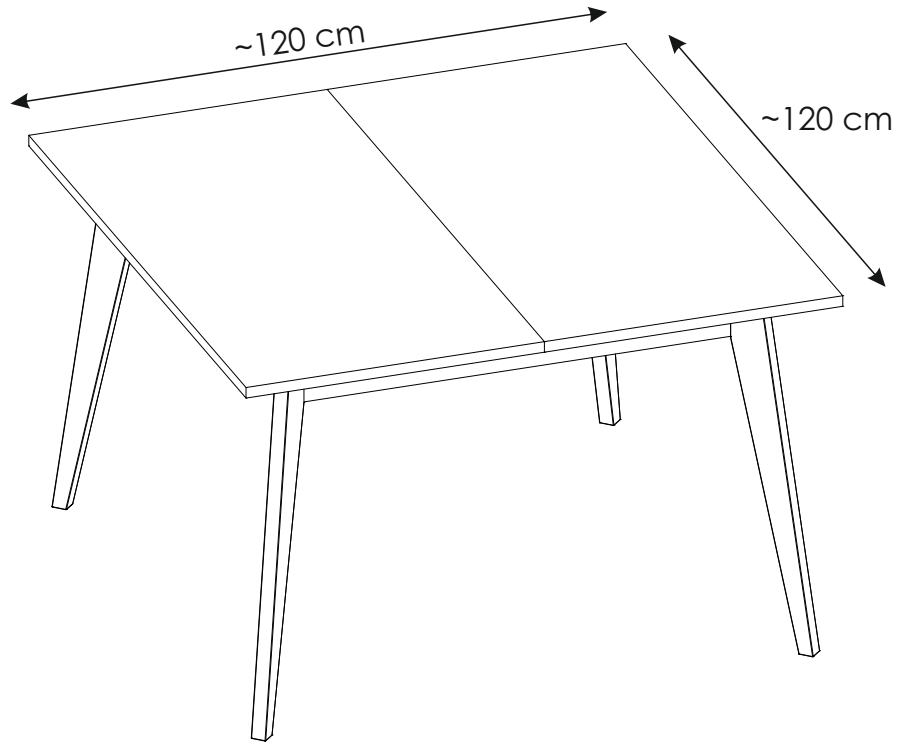
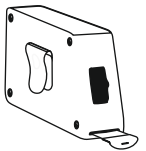
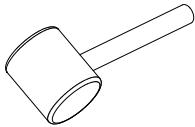
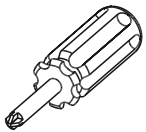
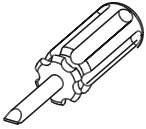
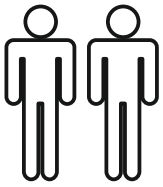
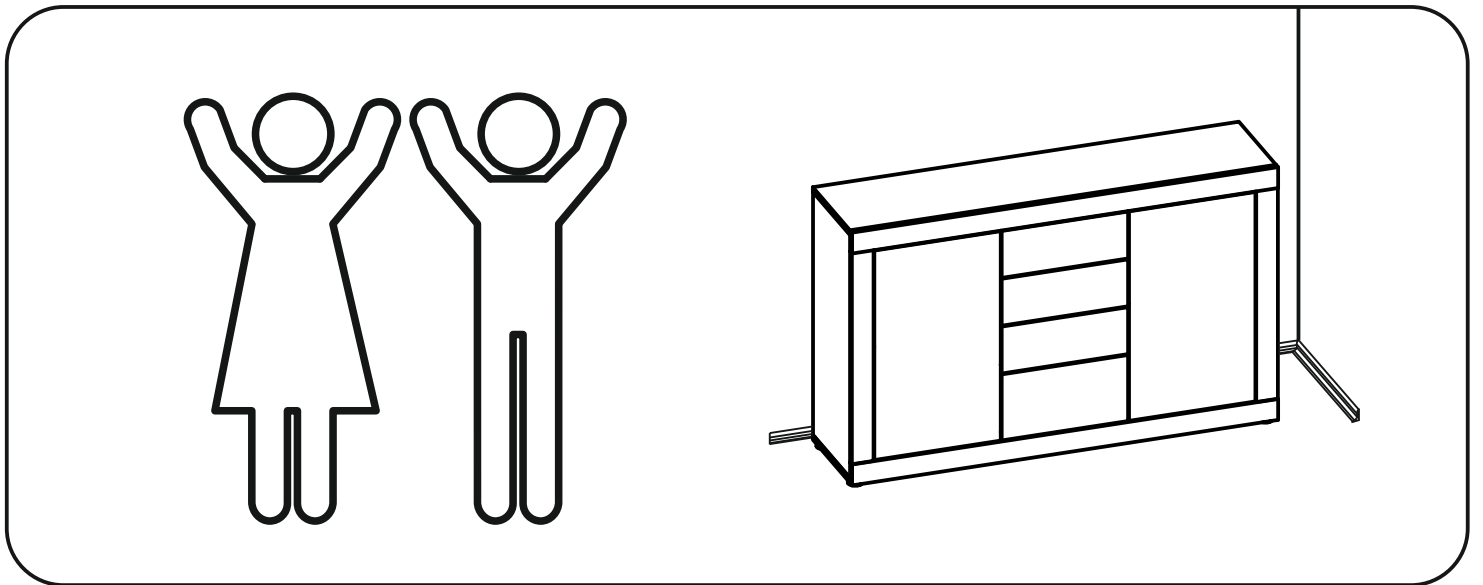
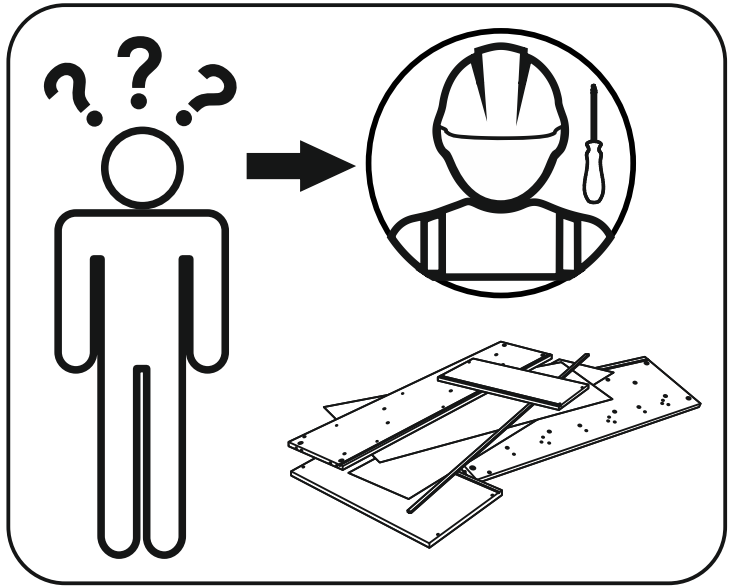
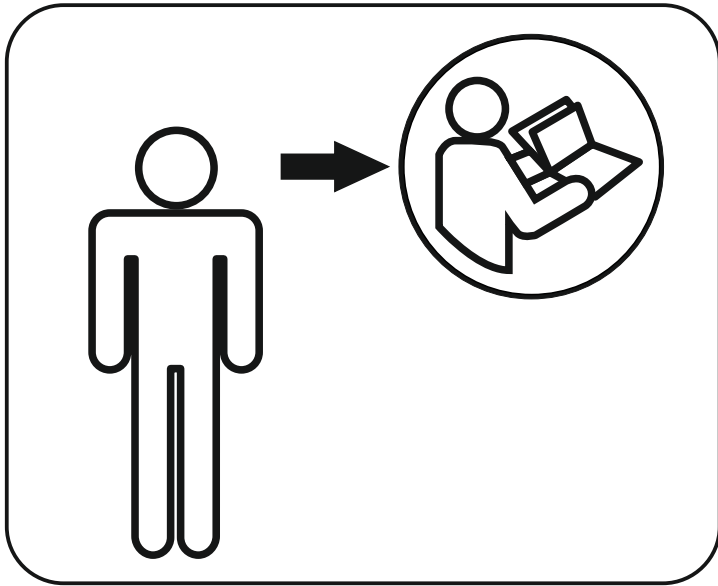
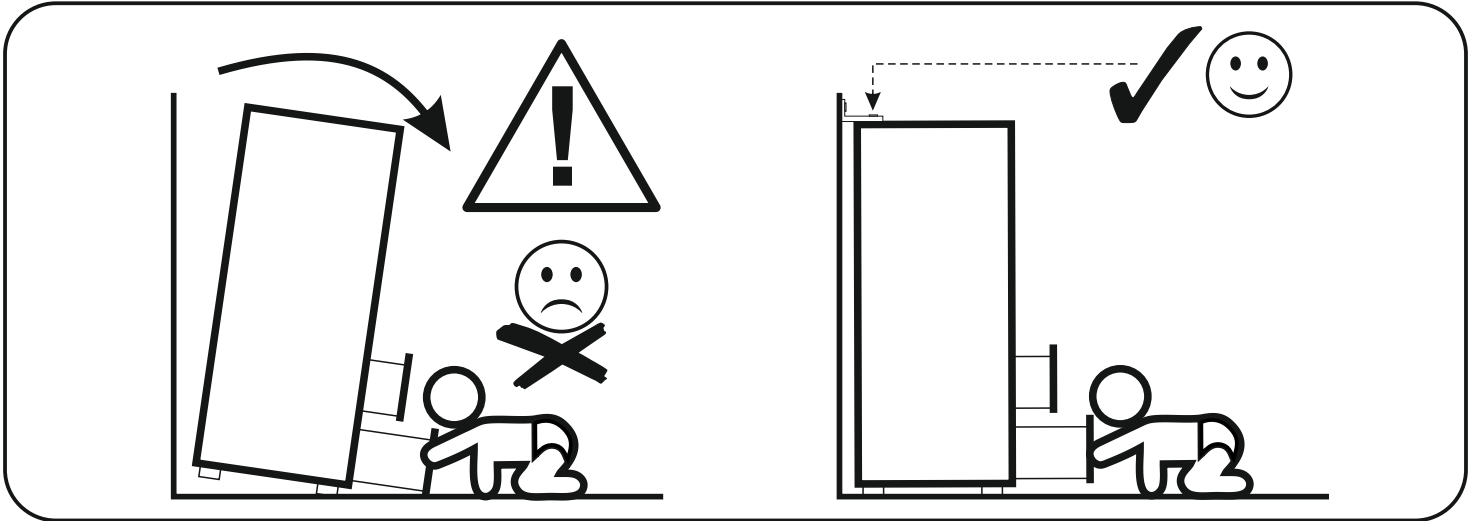
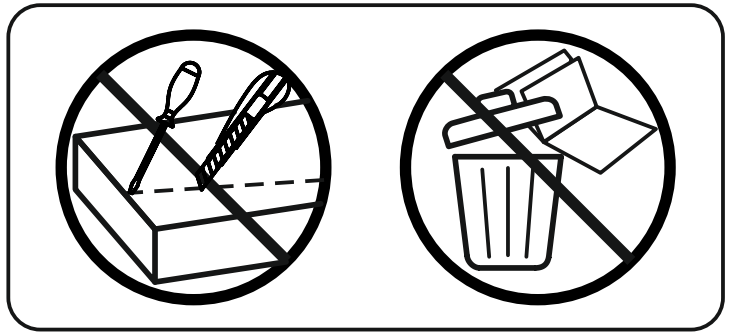
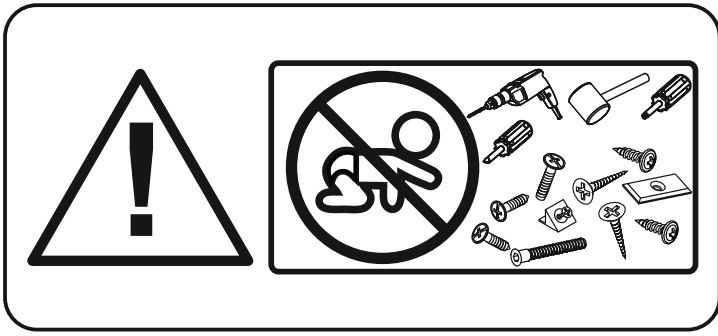
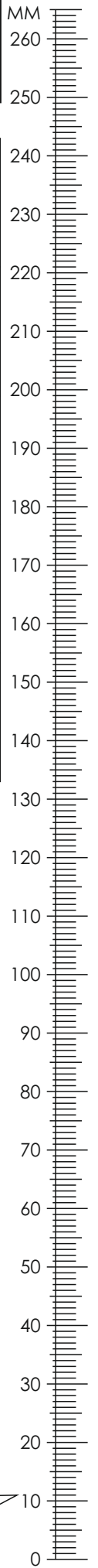


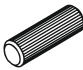
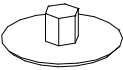

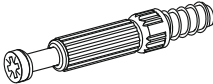




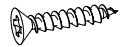

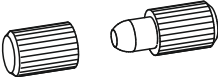


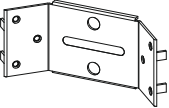
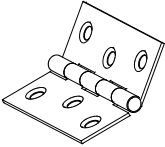
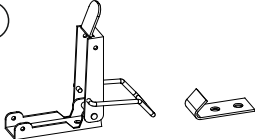
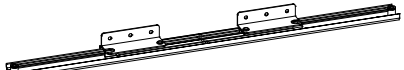
PLIT02

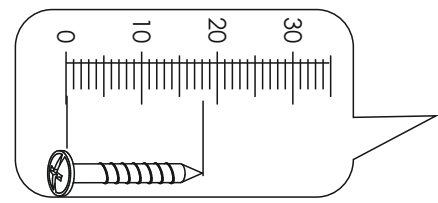




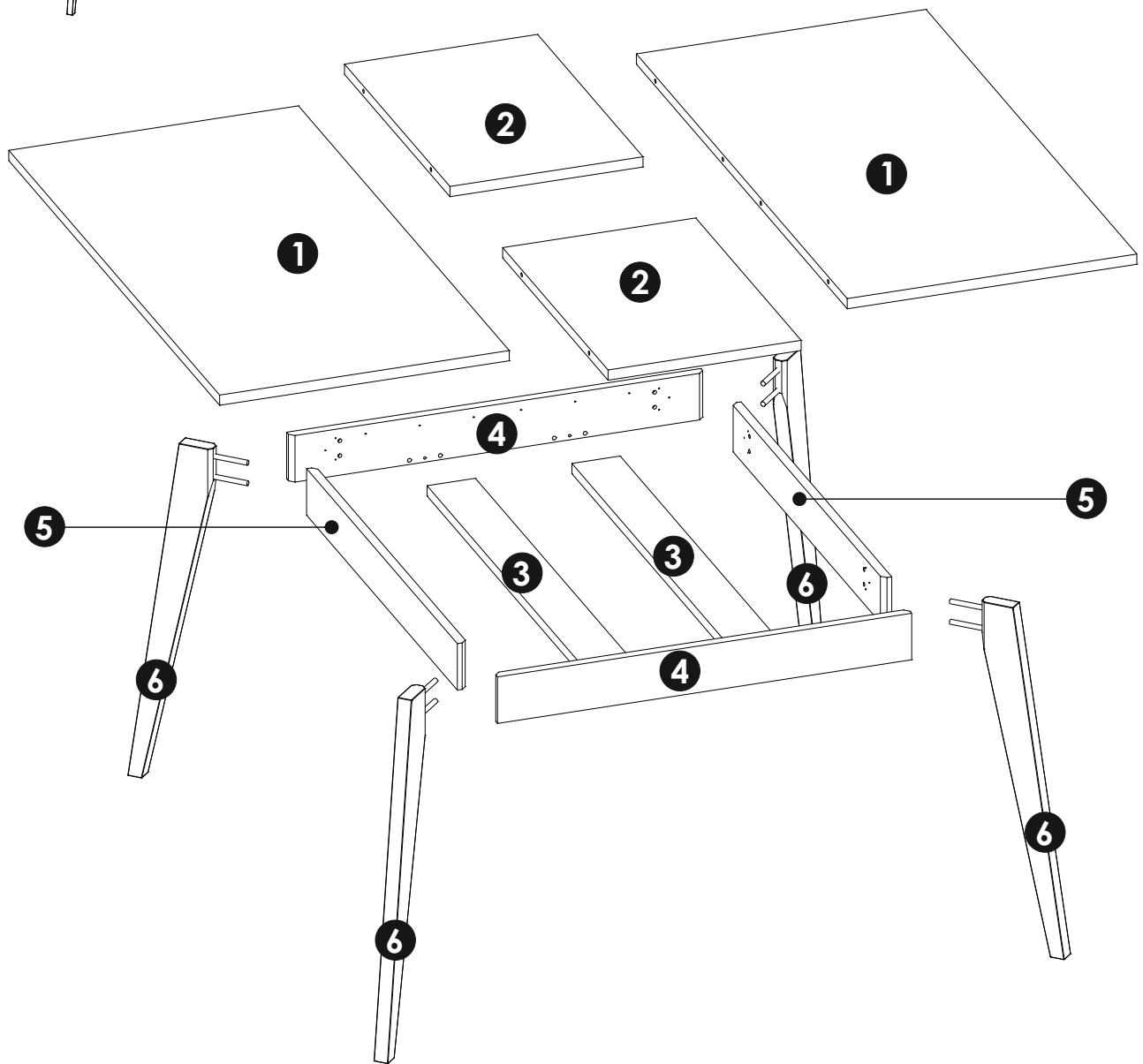
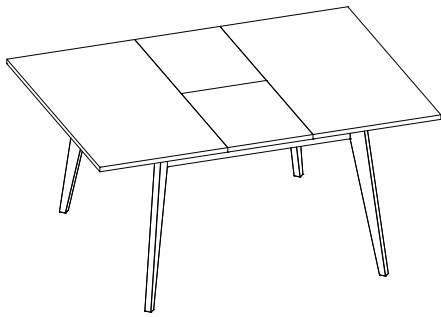
PLIT02



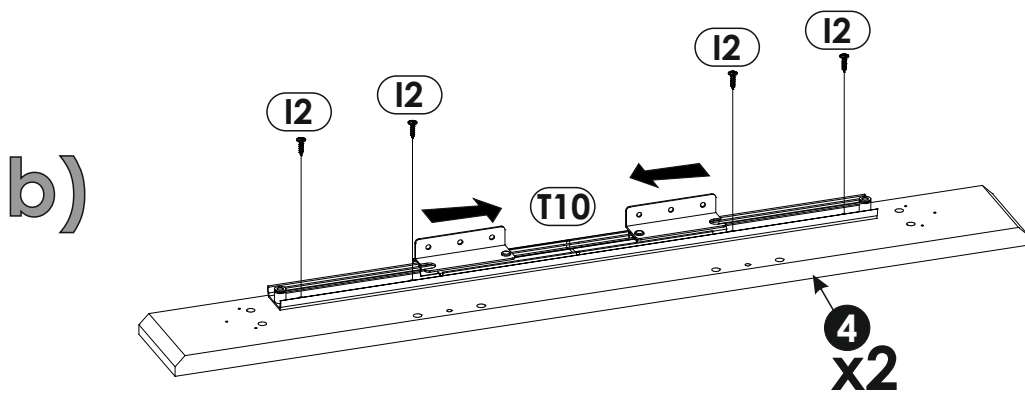
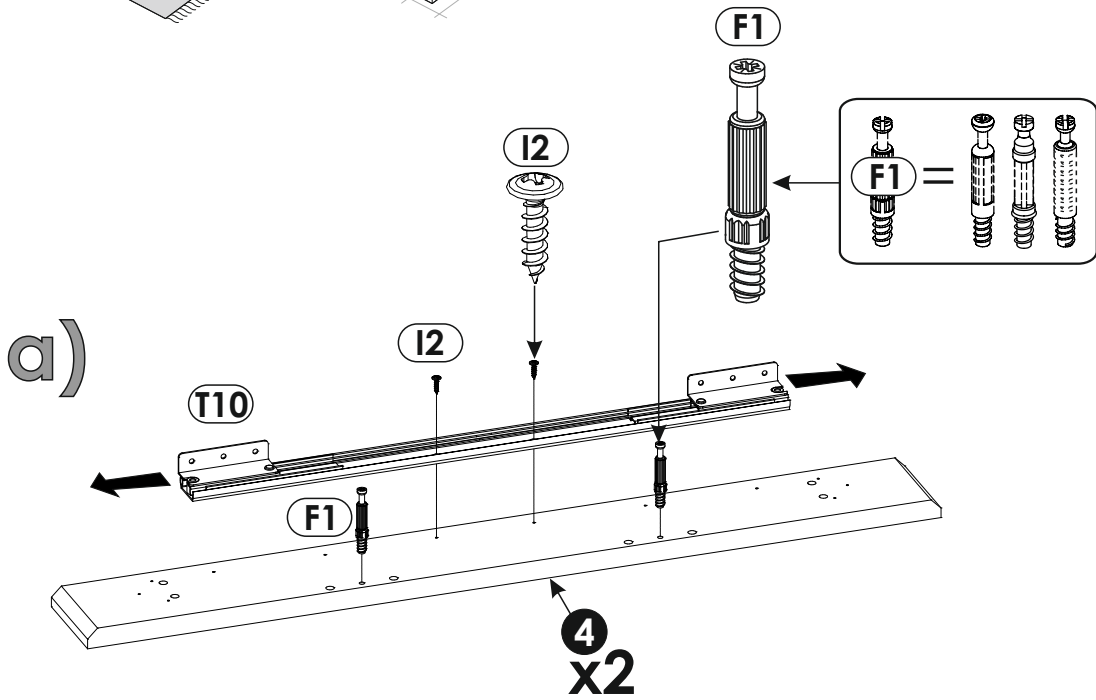
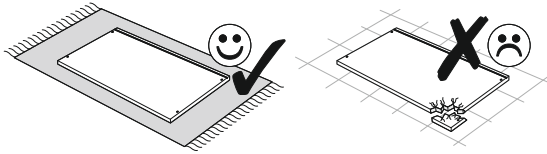
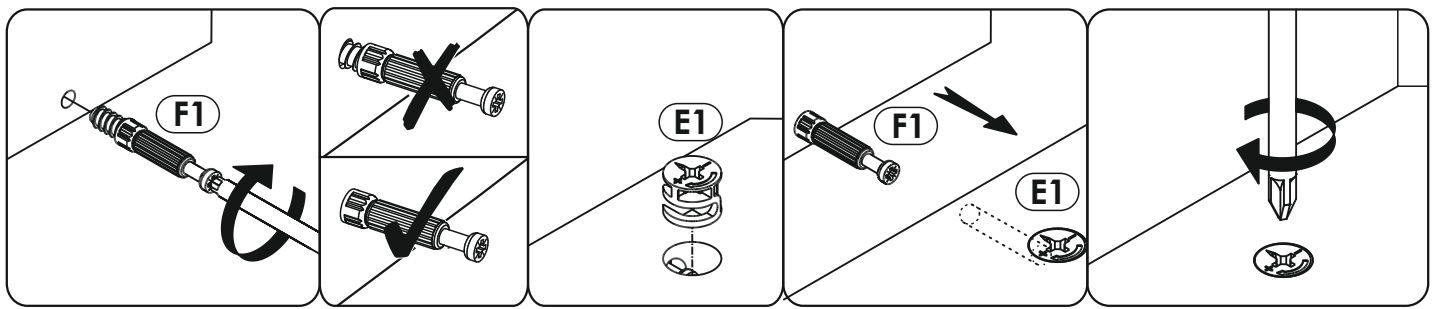
A1 8 x 35 mm x8 	E0 Ø16 x4 	E1 15 x 12 mm x4 
F1 6 x 34 mm x4 	I2 4 x 16 mm x12 	I9 4 x 20 mm x12 
N1 3 x 16 mm x20 	N5 3,5 x 16 mm x24 	N26 3,5 x 20 mm x12 
O2A Ø20 x14 	R8 x8 	S15 x8 
S16 x8 	S17 x4 	S20 x2 
S21 x4 	T10 x2  L - 600 mm	

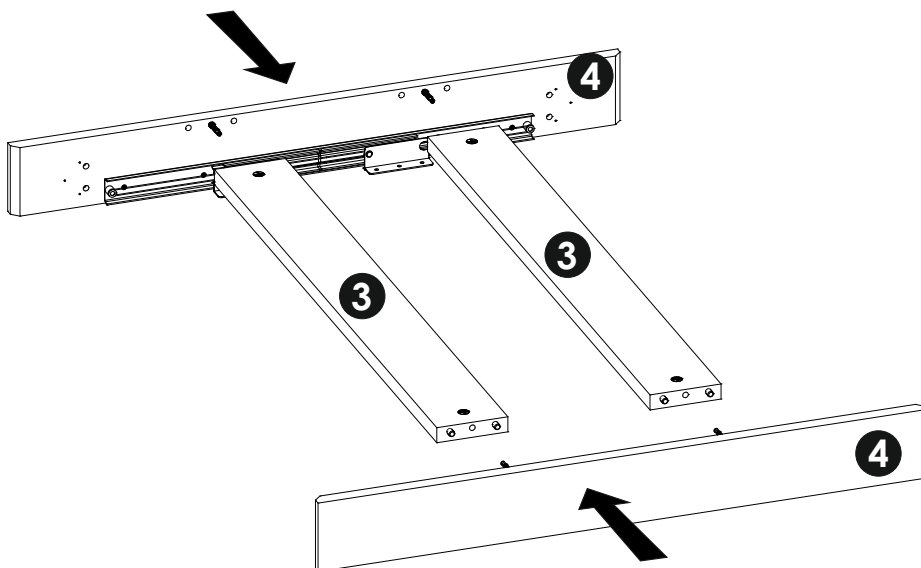
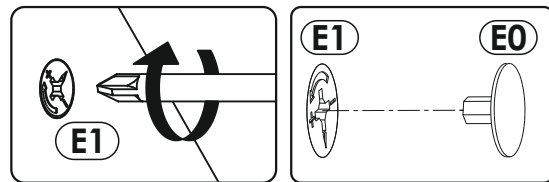
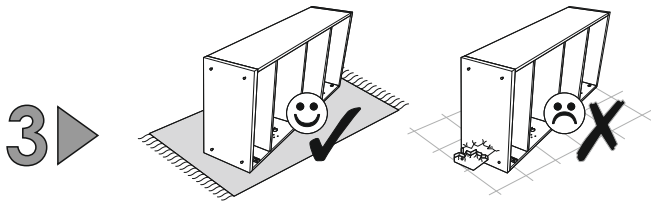
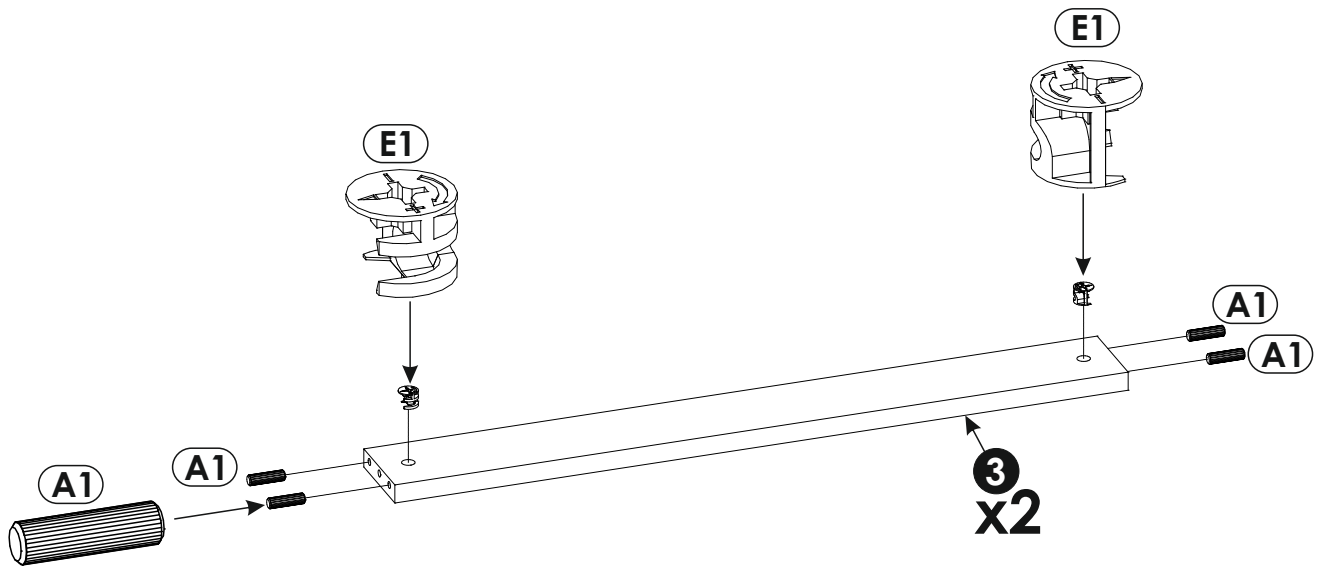
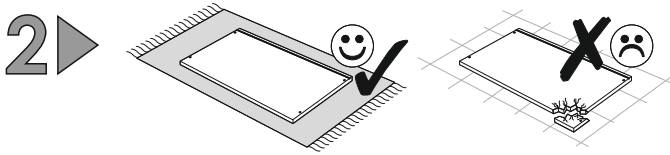


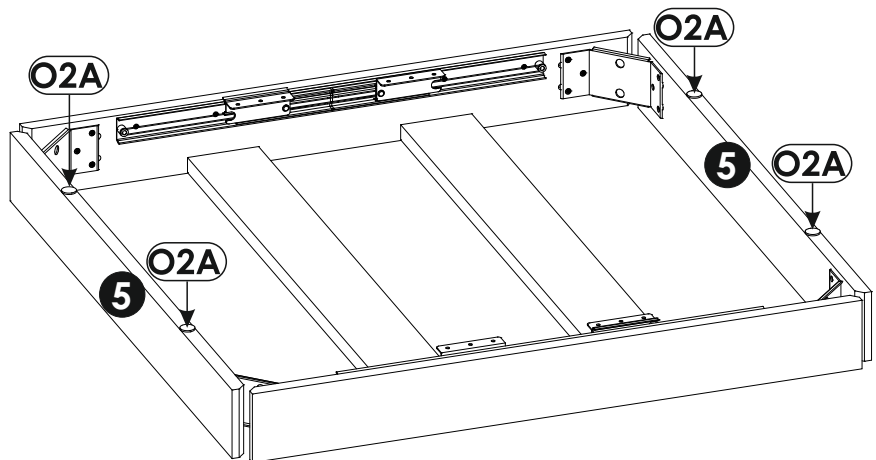
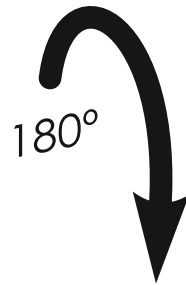
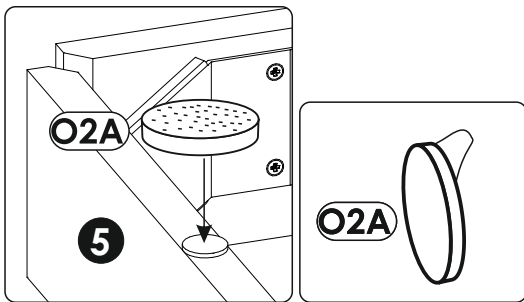
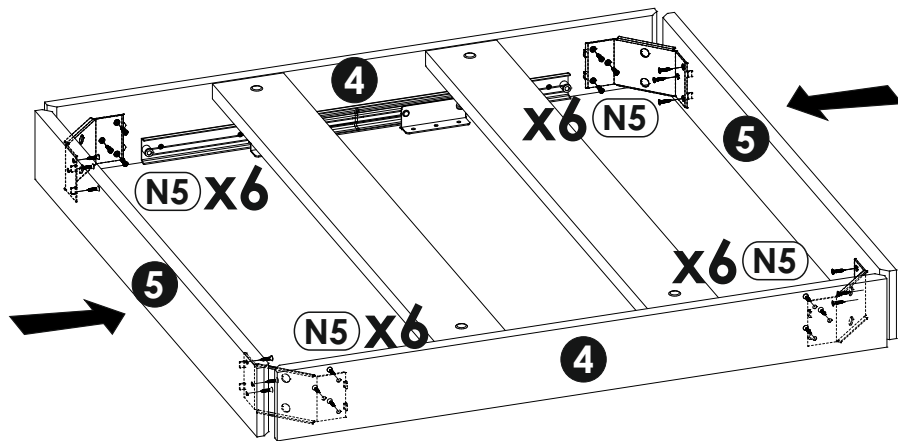
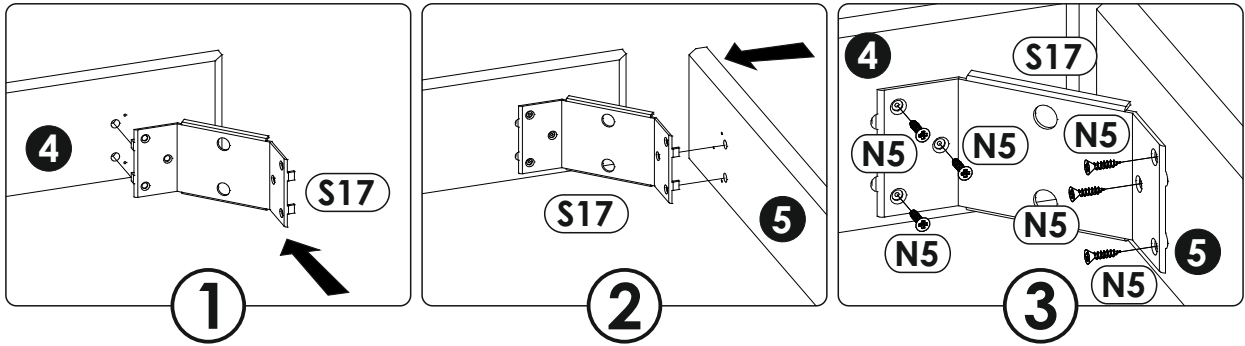
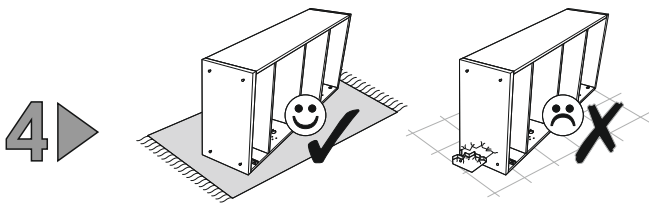
PLIT02

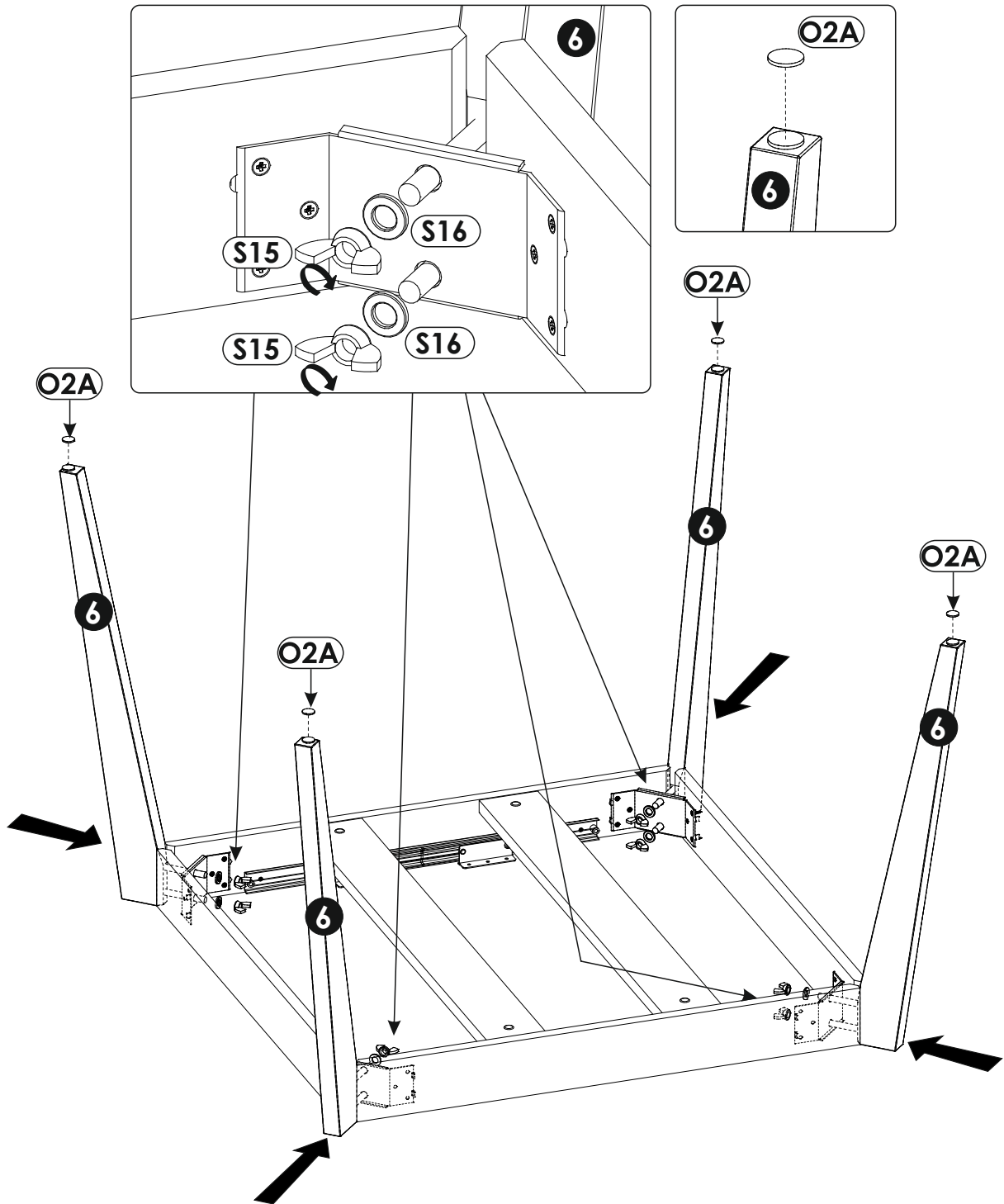
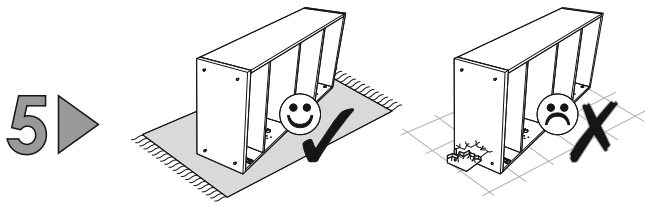


1	1200	600	22	x2	2/2
2	600	400	22	x2	2/2
3	860	100	22	x2	1/2
4	858	100	20	x2	1/2
5	858	100	20	x2	1/2
6	754	80	30	x4	1/2

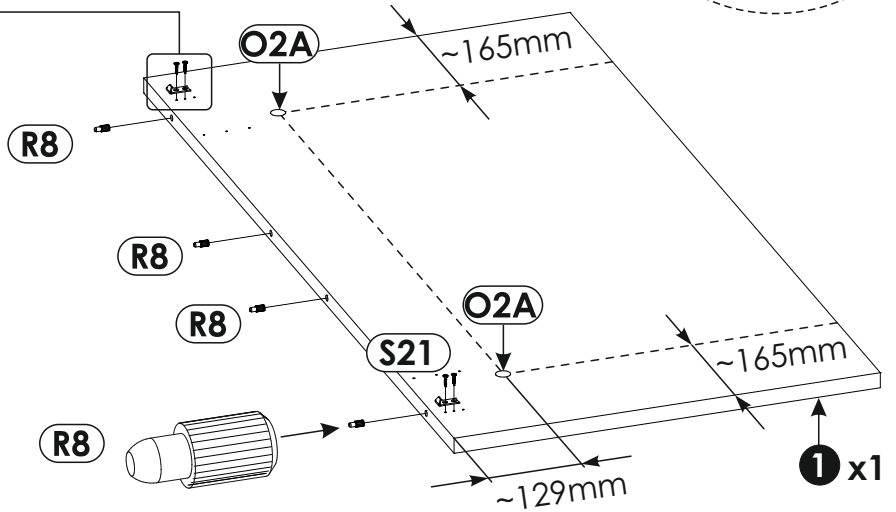
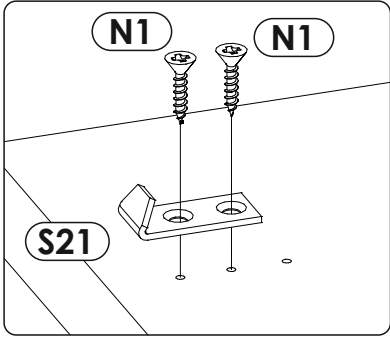
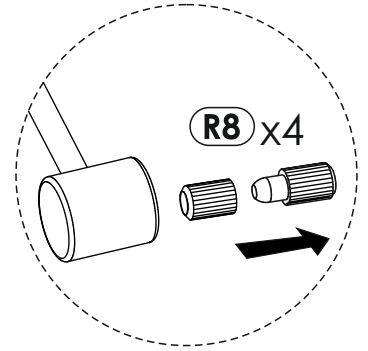
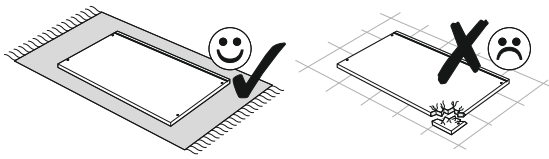




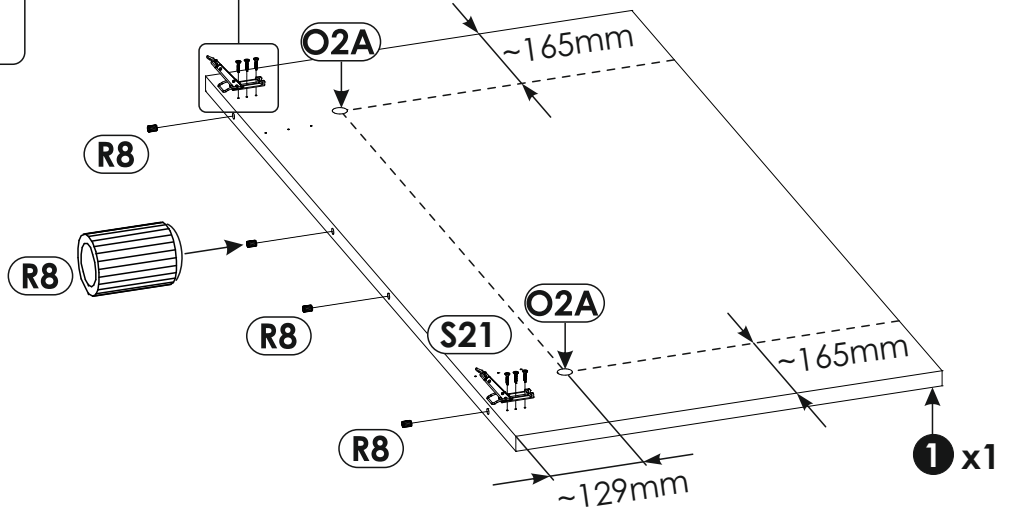
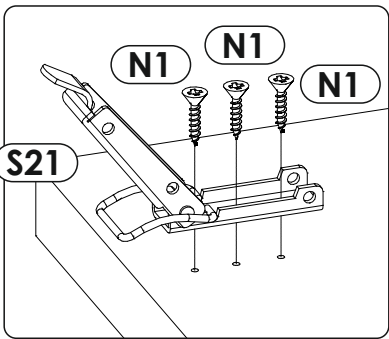
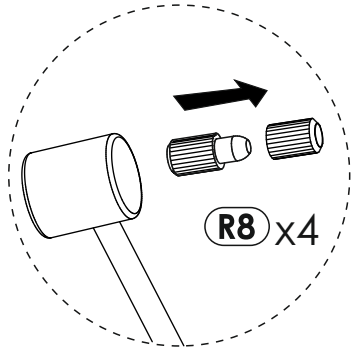
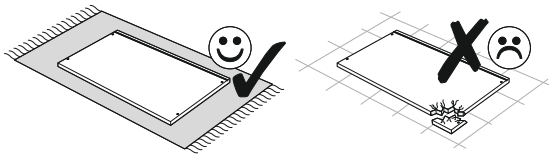




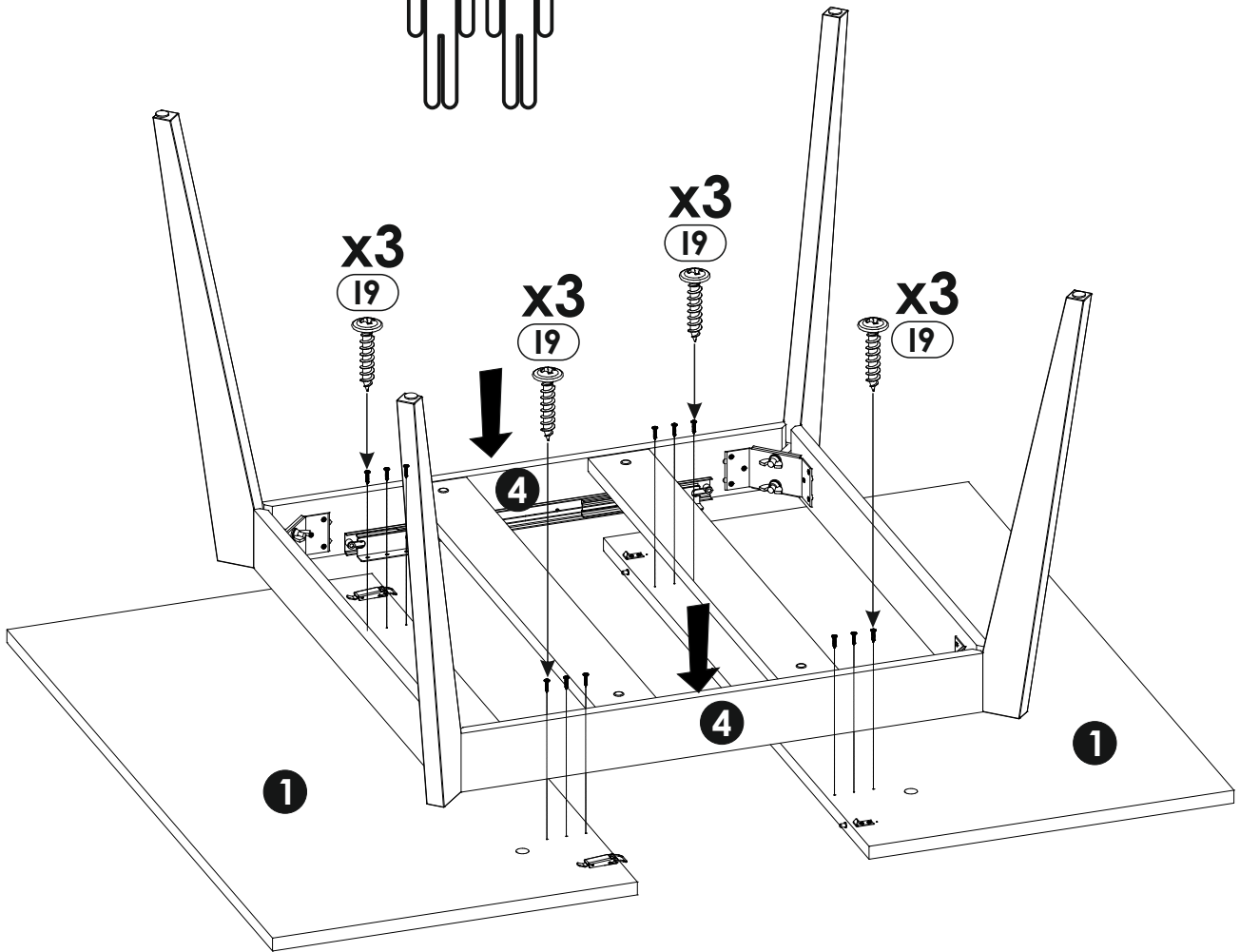
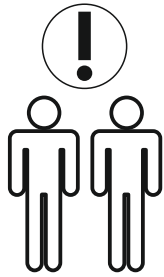
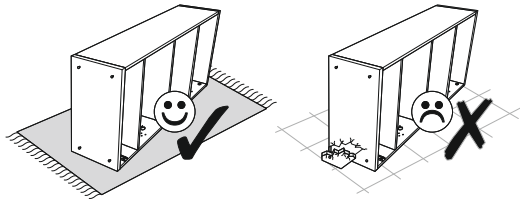
6 ▶



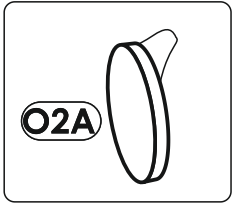
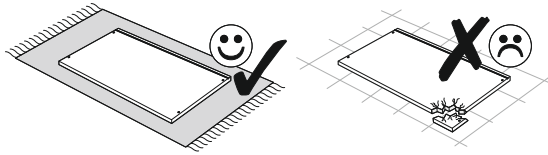
7 ▶



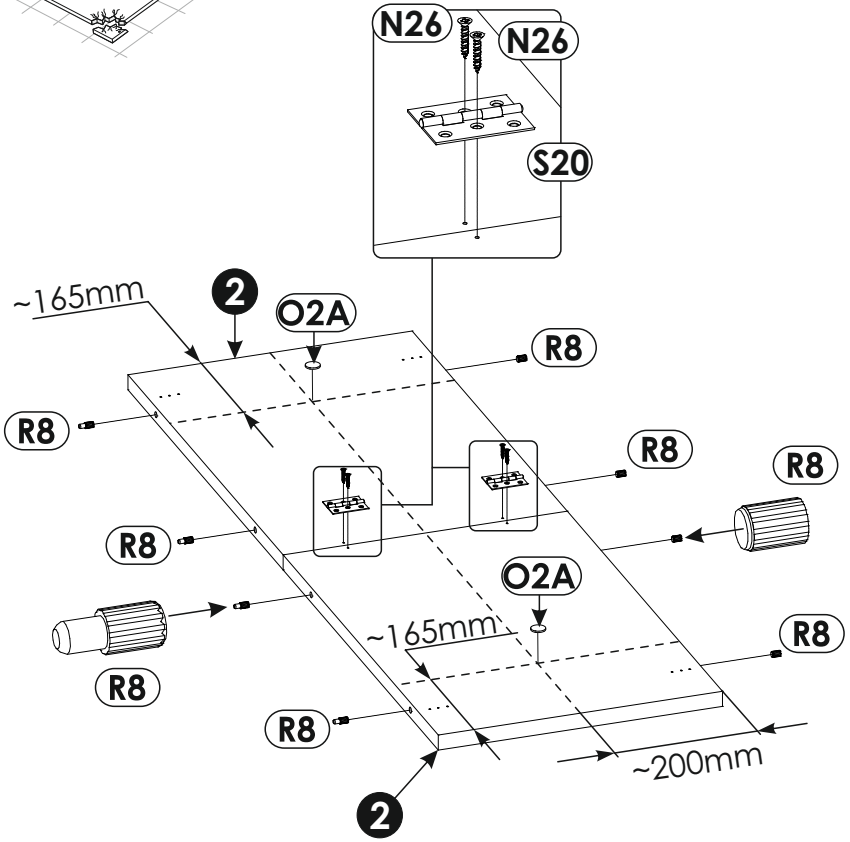
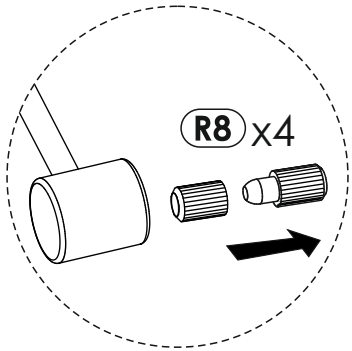
8 ▶



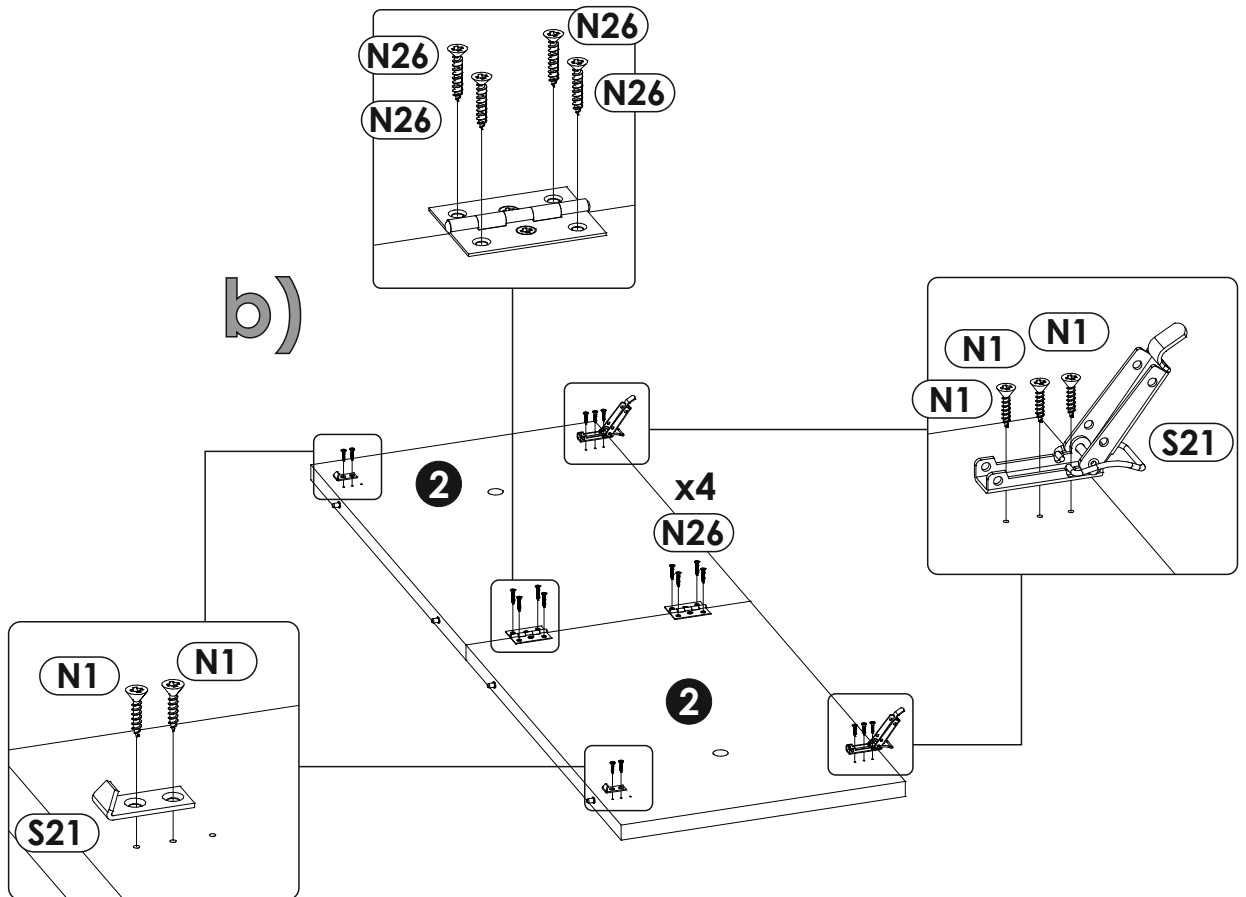
9 ▶



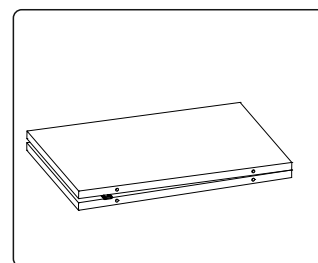
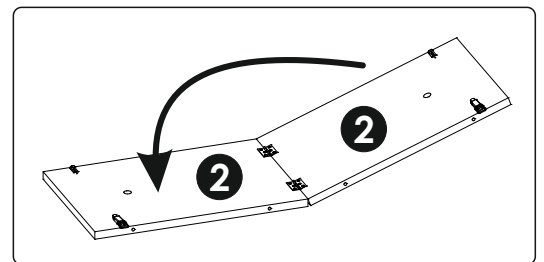
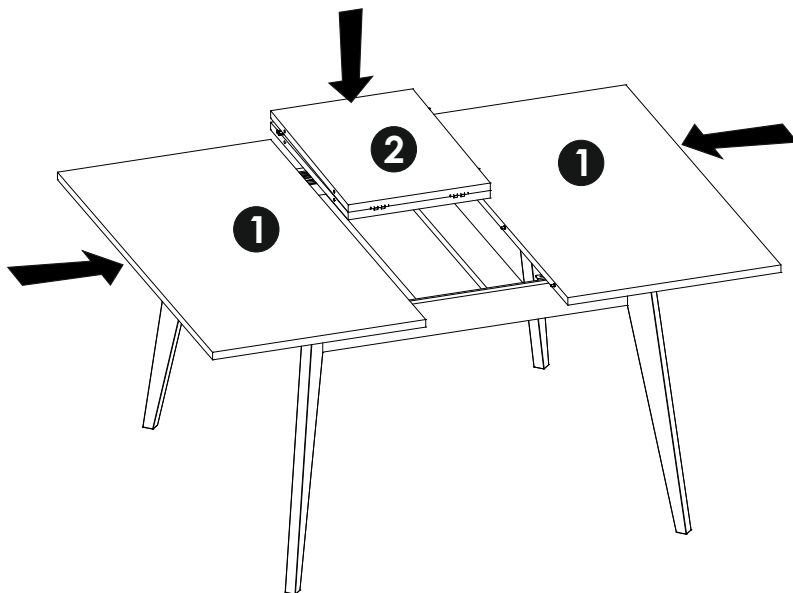
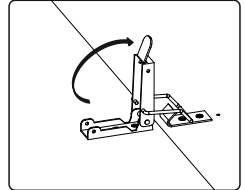
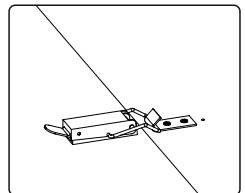
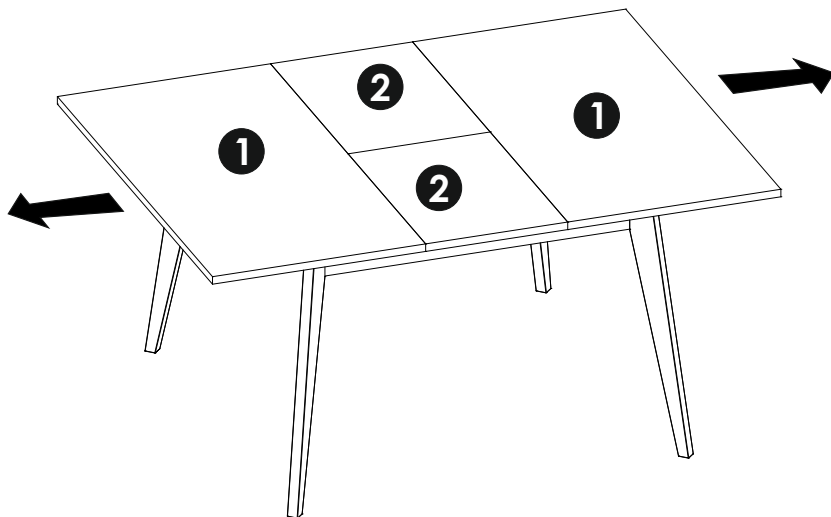
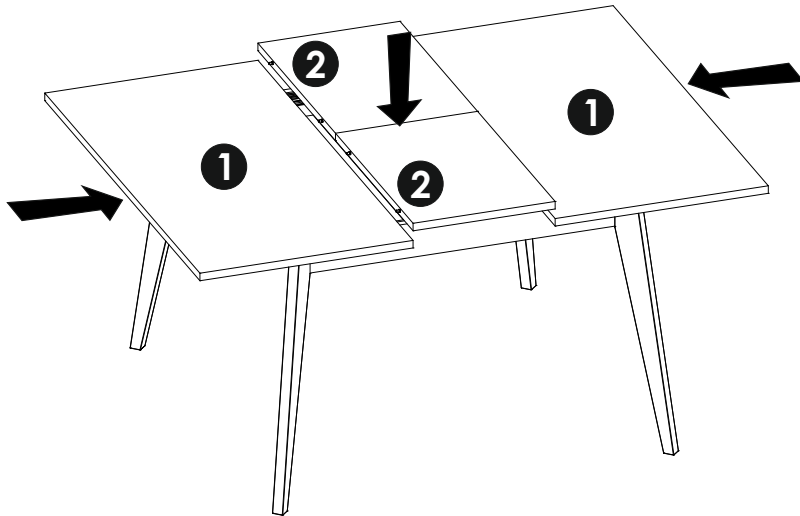
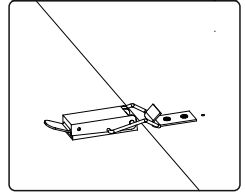
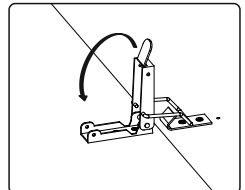
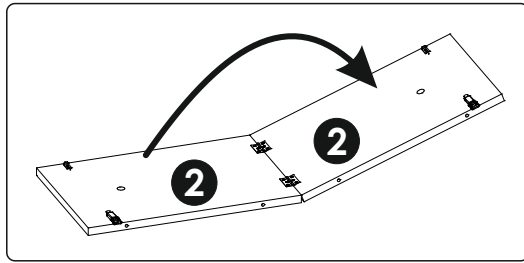
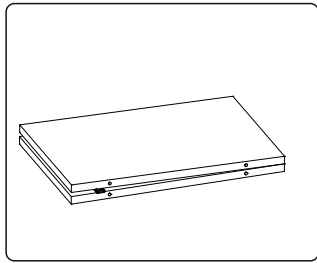
a)

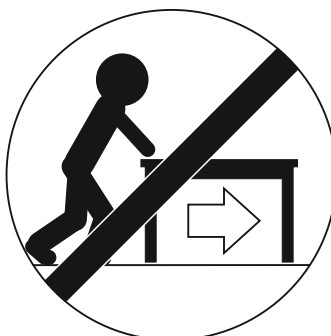
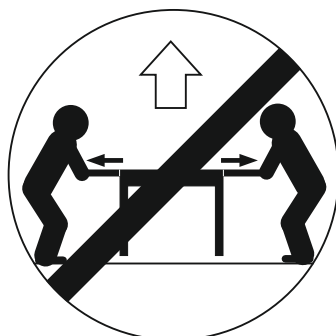
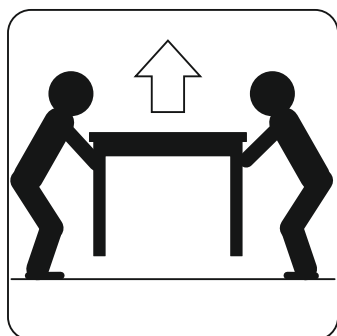
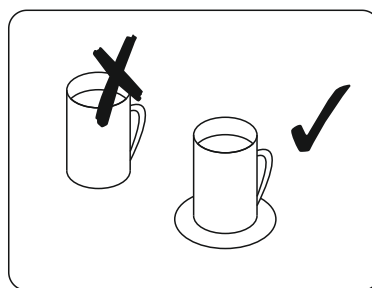
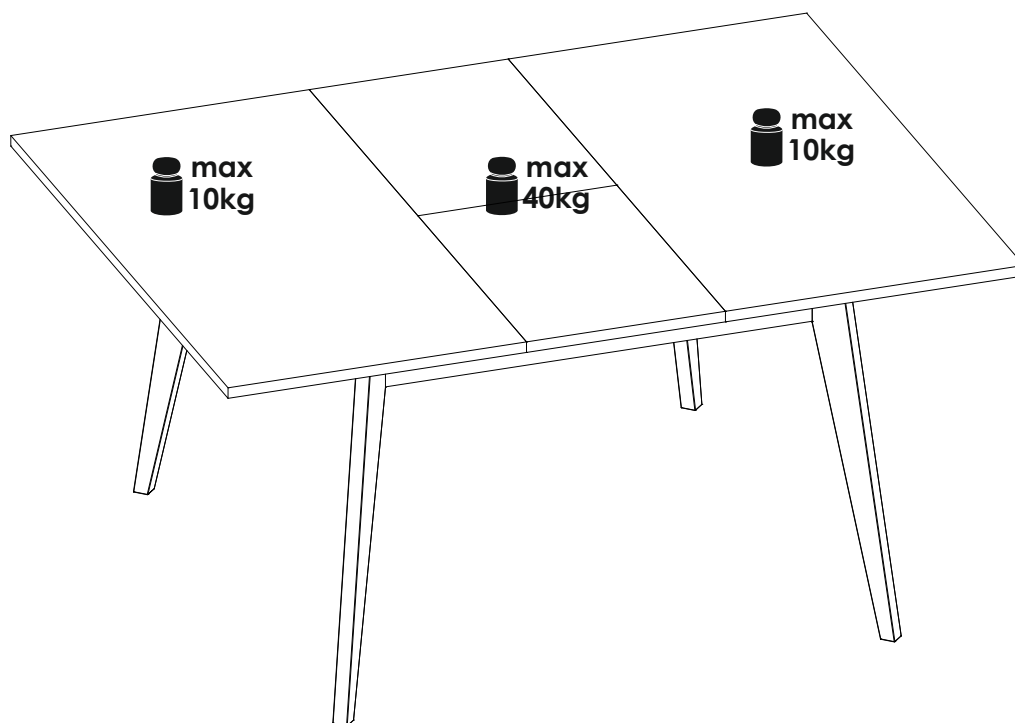


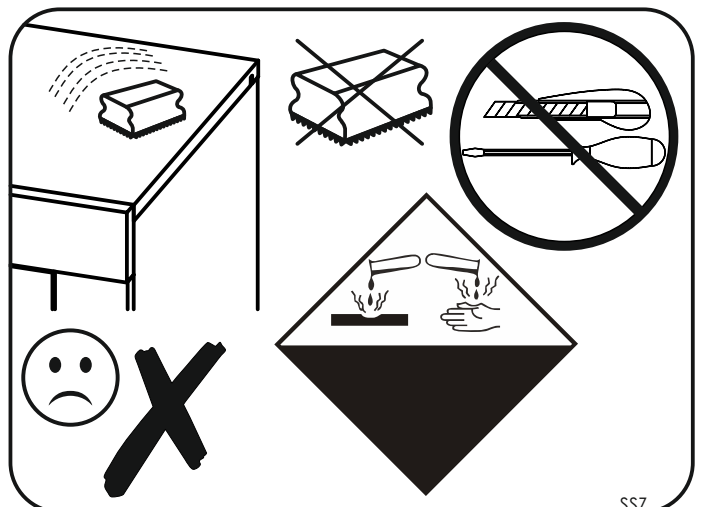
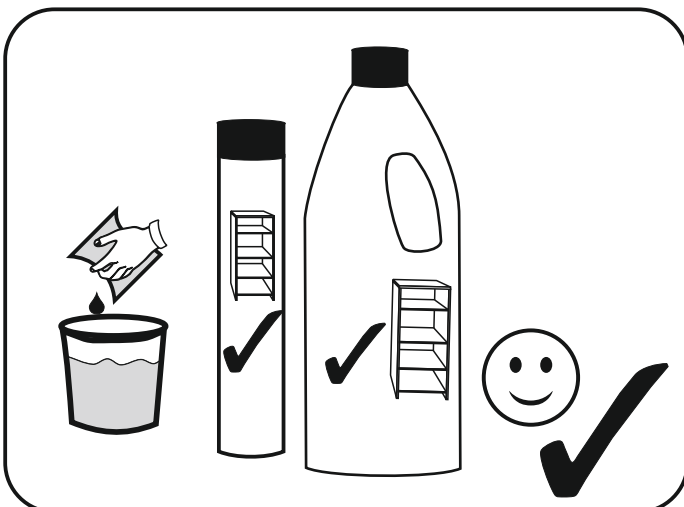
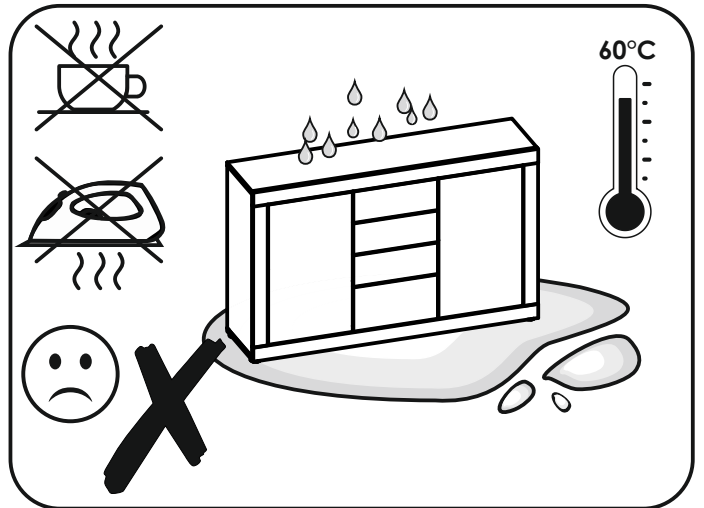
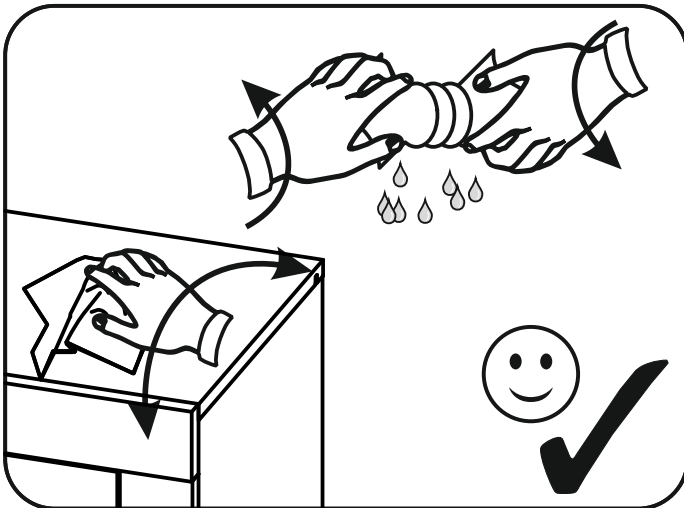
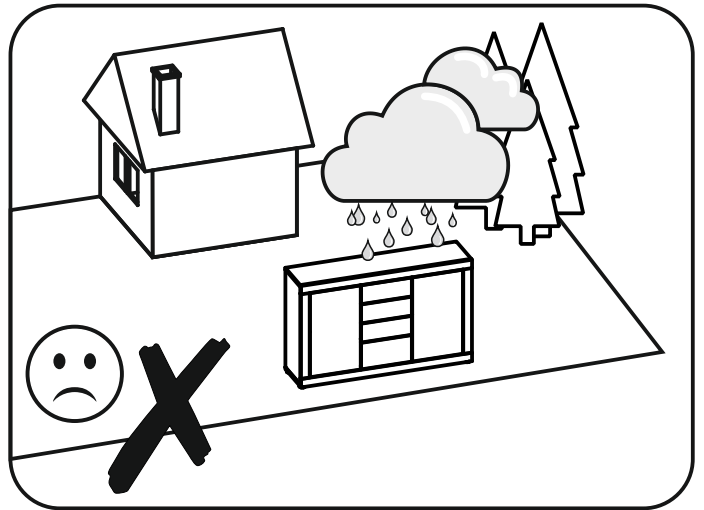
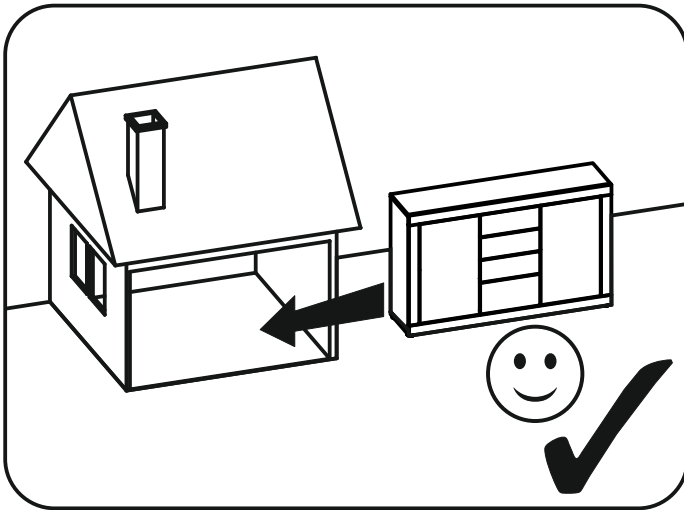
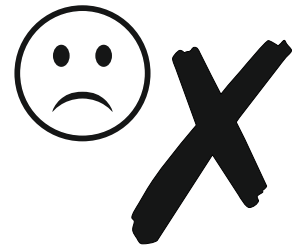
b)



10 ▶







SS7