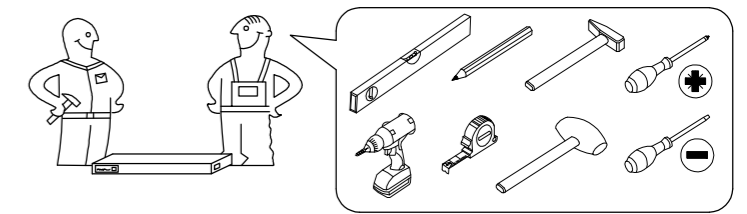
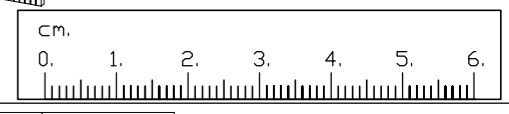
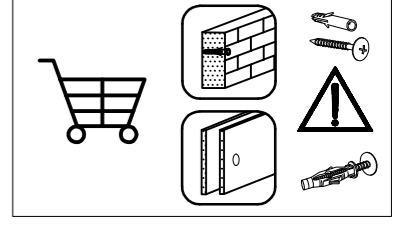
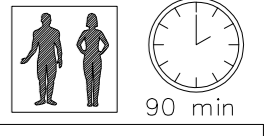
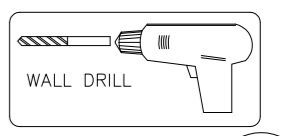
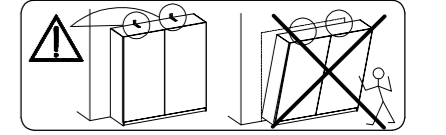
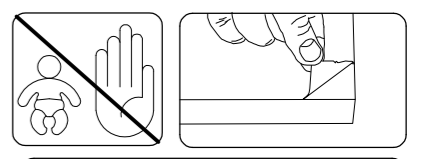
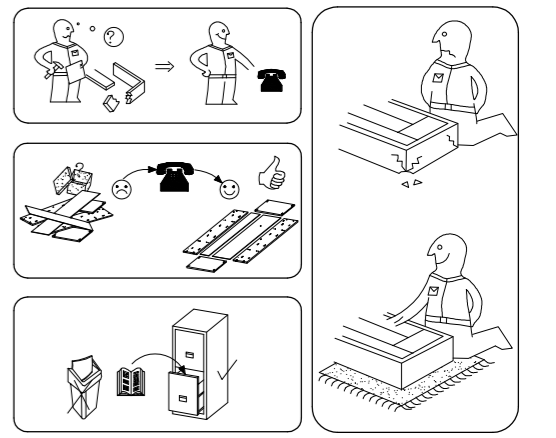
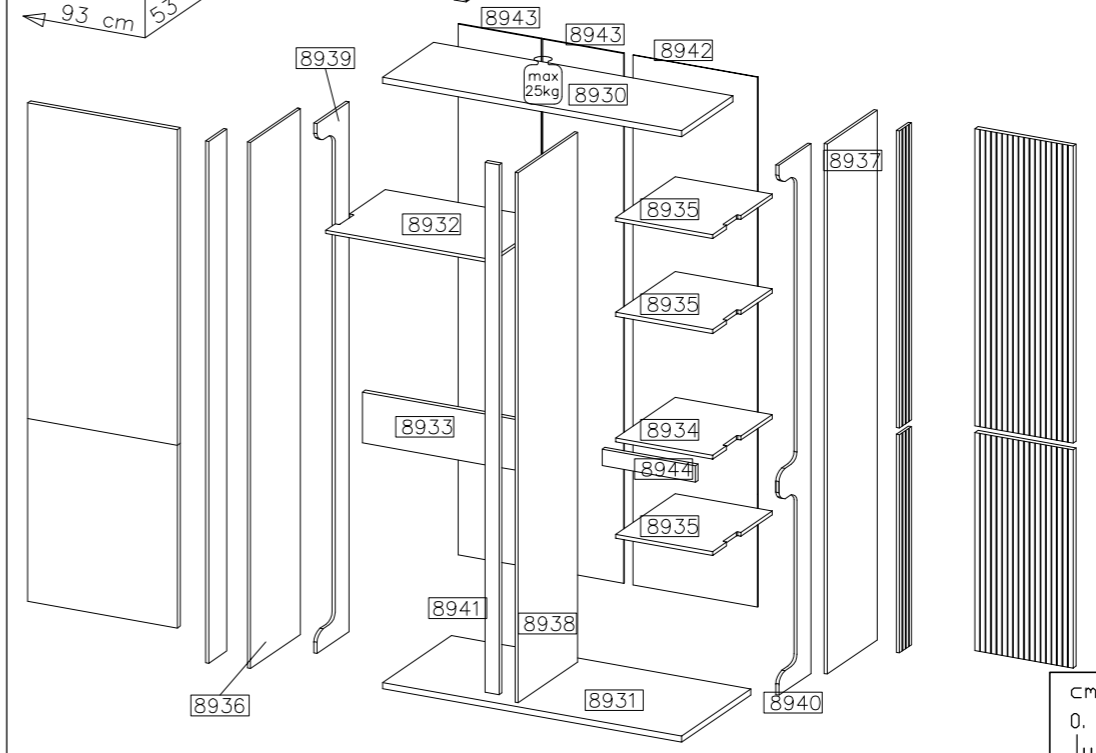
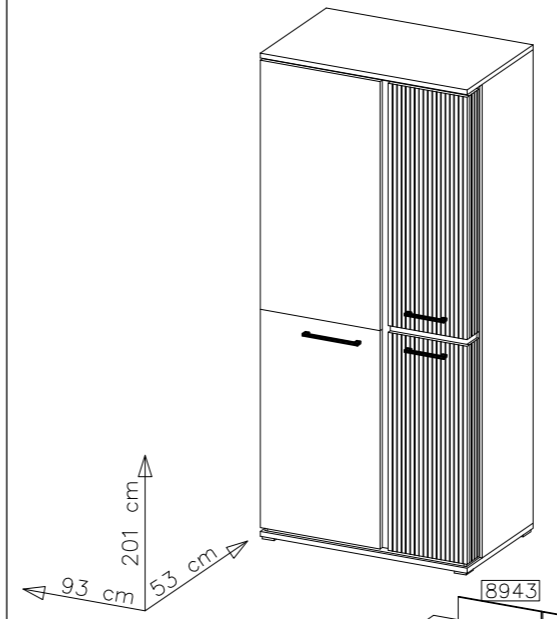


# MOLTO II

## -ML1



#	ART. NR	L	W	T	Q	Col.No
1	8930	930	530	25	1	1
2	8931	930	530	25	1	1
3	8932	550	490	16	1	1
4	8933	550	230	16	1	1
5	8935	330	474	16	3	1
6	8936	1882	320	16	1	2
7	8937	1882	370	16	1	2
8	8938	1882	474	16	1	2
9	8939	1882	210	16	1	2
10	8940	1882	160	16	1	2
11	8941	1882	60	16	1	2
12	8942	1897	347	2,5	1	2
13	8943	1897	281	2,5	2	2
14	8944	270	60	16	1	2

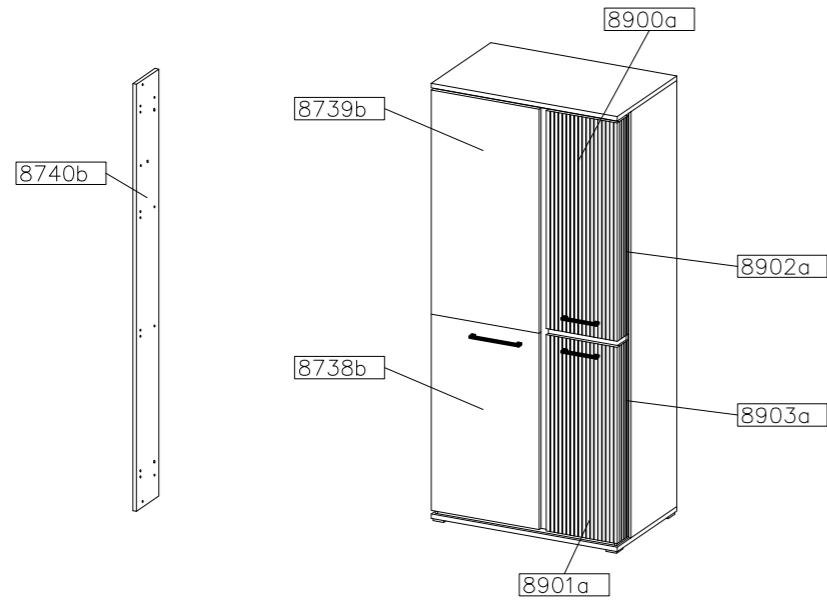


A 24	A1 3	A7 6	B 12	C 20	D1 16	D2 2	E 20	E1 12
L 20	O 1	P1 37	P3 20	P9 16	P18 23	F8 20	O10 2	F4 5
J4 12	S2 2	S3 1	R2 6	M4.0x22mm 1	N 1	O12 1	Z1 1	G6 8

**MOLTO II**  
-ML1

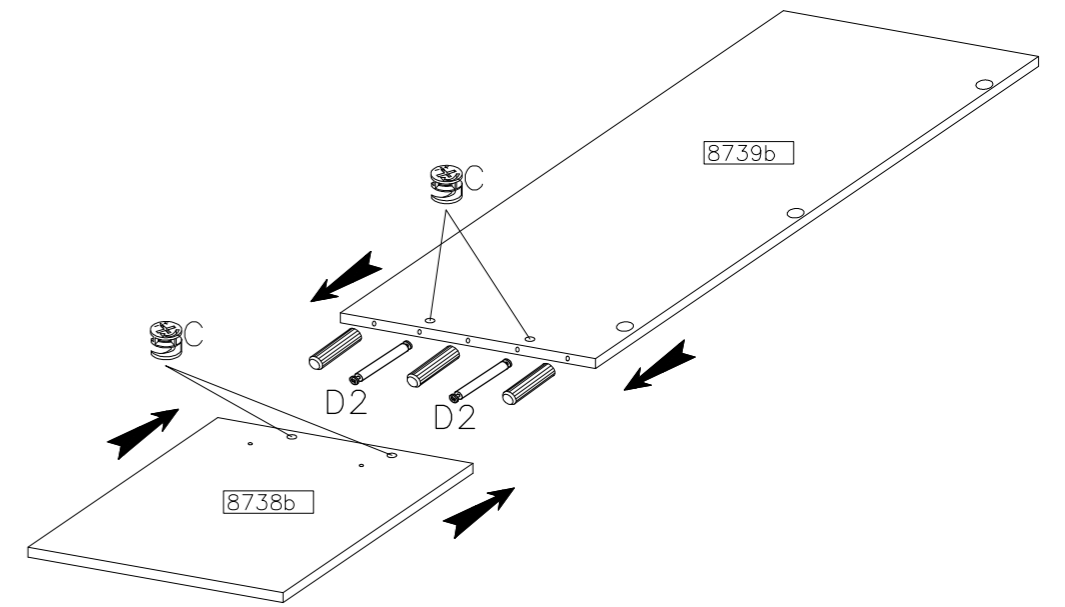
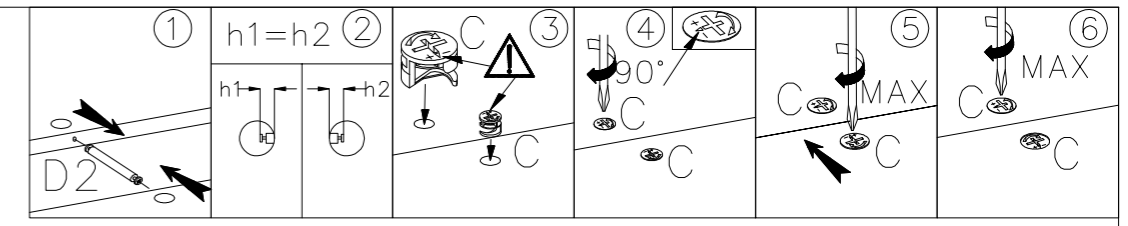
VERSION-01 ARTISAN

#	ART. NR	L	W	T	Q	Col.No
1	8739b	580	1145	16	1	3
2	8738b	580	730	16	1	3
3	8740b	160	1875	16	1	3
4	8900a	1114	320	16	1	3
5	8901a	730	320	16	1	3
6	8902a	1114	110	16	1	3
7	8903a	730	110	16	1	3



14 A

- L-46  
D2
- 2  
ø8x40mm
- A1
- 3  
ø15/12mm
- C
- 4
- E
- 4



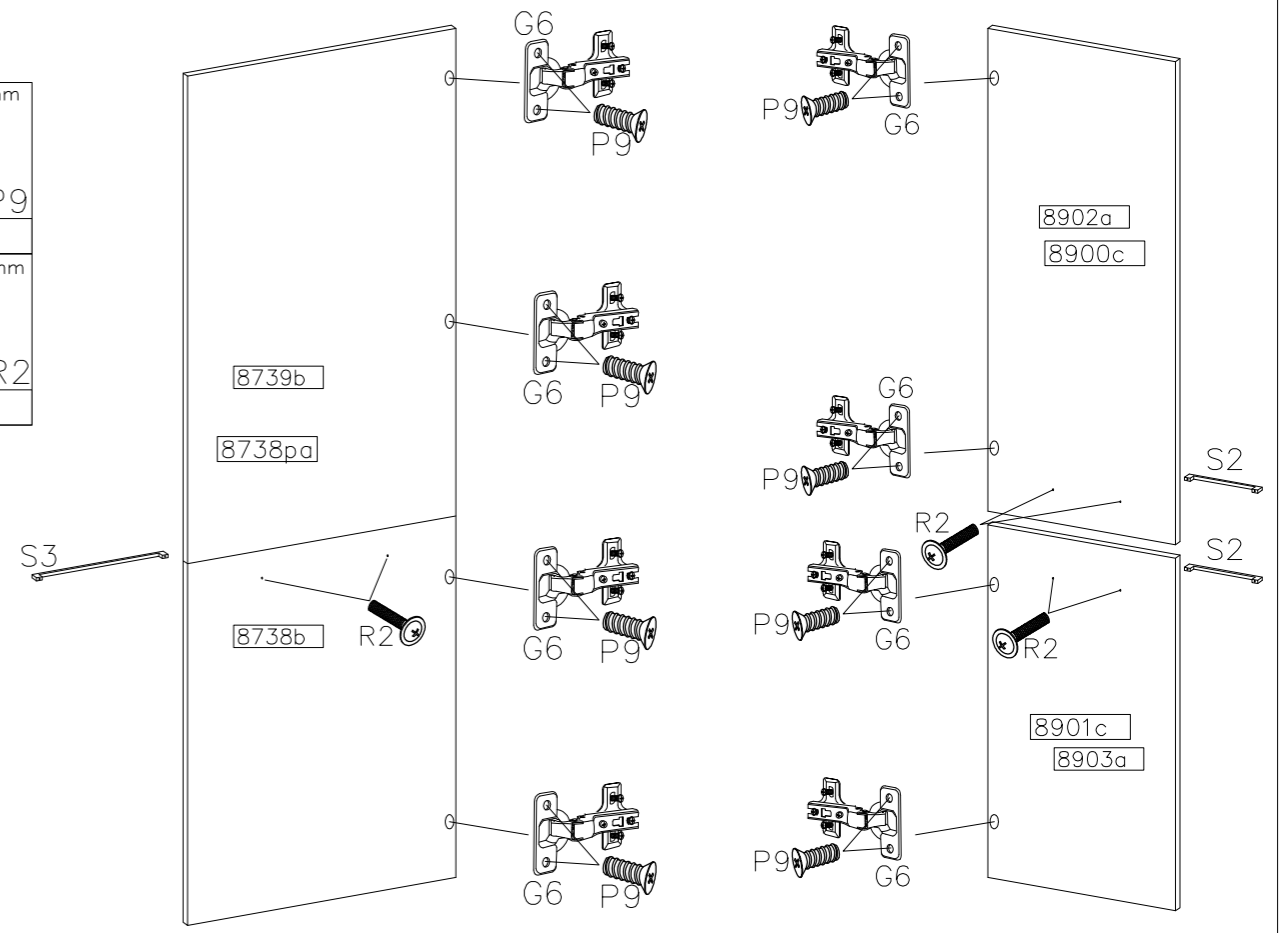
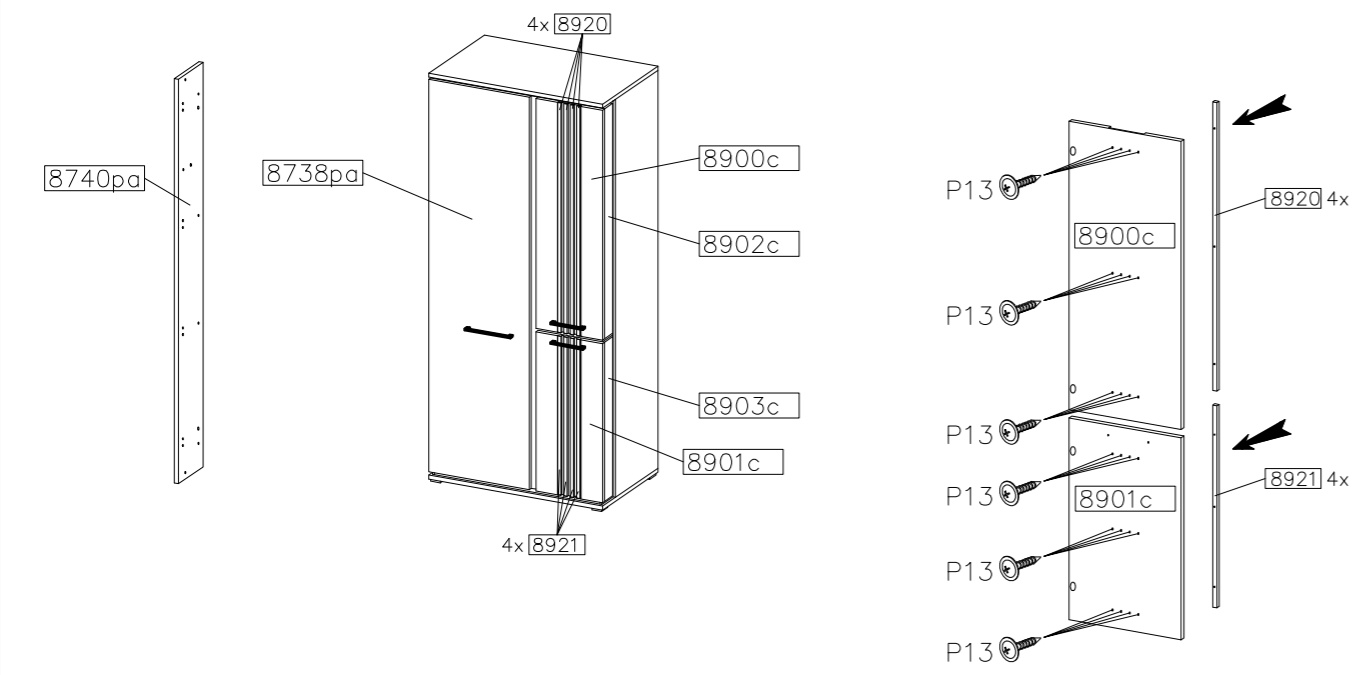
14 B

- S3
  - 1
  - S2
  - 2
  - ø35/KR-0
  - G6
  - 8
- 5.0x13mm
  - P9
  - 16
  - M4.0x22mm
  - R2
  - 6

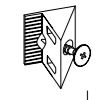
3.0x13mm  
P13  
24

VERSION-03 BLACK FRONT

#	ART. NR	L	W	T	Q	Col.No
1	8738pa	580	1875	16	1	3
2	8740pa	160	1875	16	1	3
3	8900c	1114	320	16	1	3
4	8901c	730	320	16	1	3
5	8902c	1114	110	16	1	3
6	8903c	730	110	16	1	3
7	8920	1113	16	10	4	3
8	8921	729	16	10	4	3



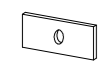
12



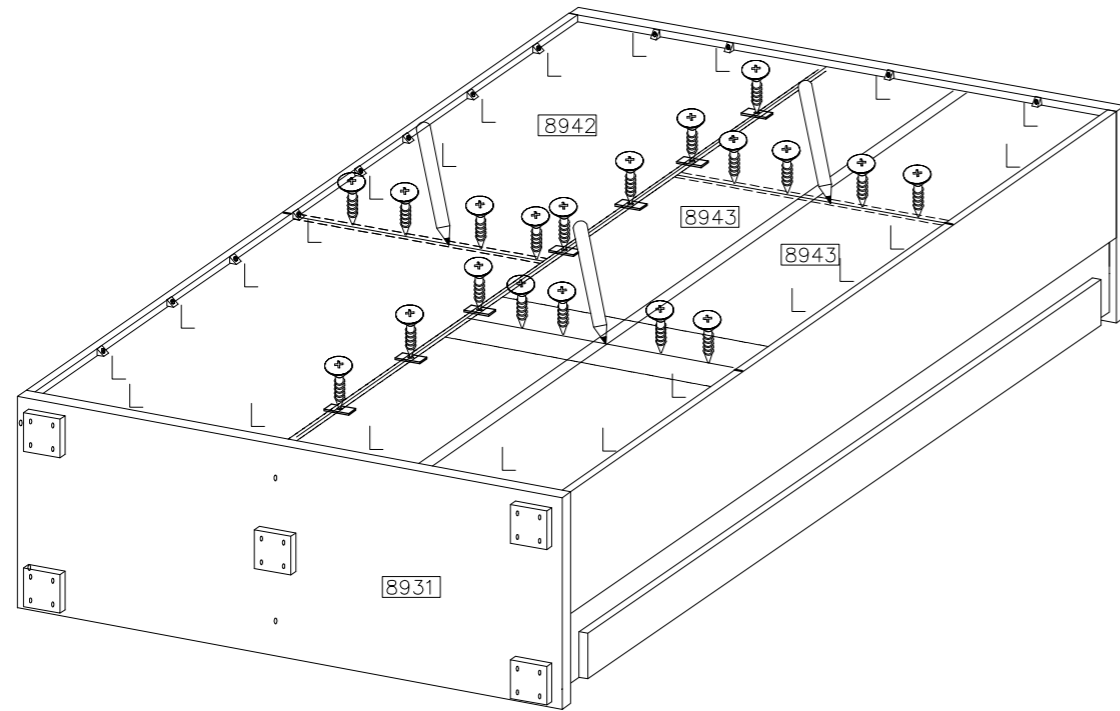
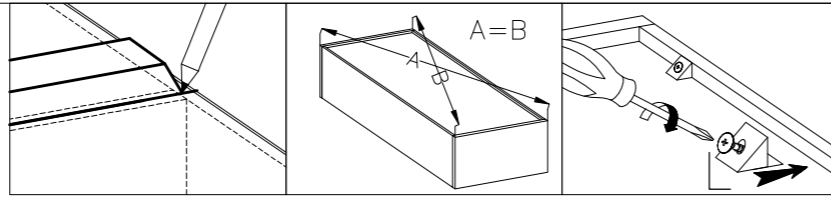
20  
ø3.0x16mm



P1  
35



F8  
20

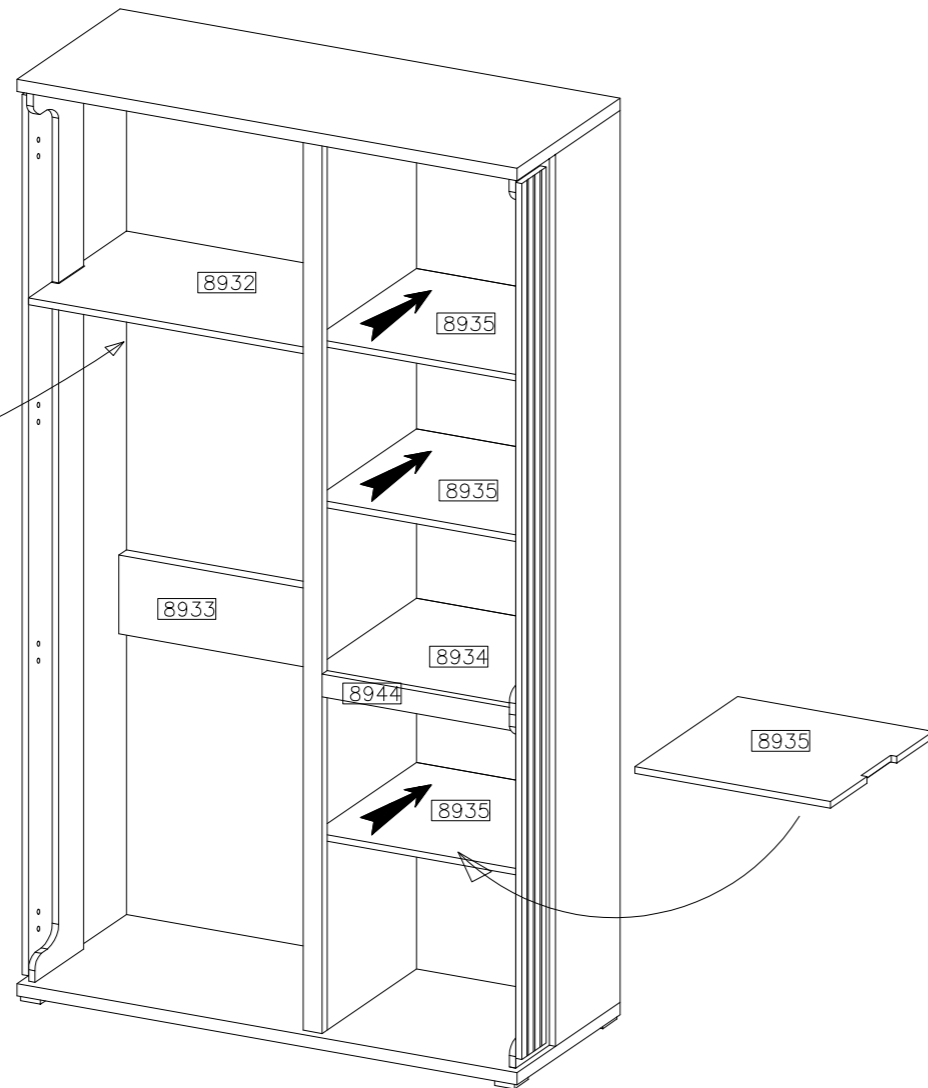
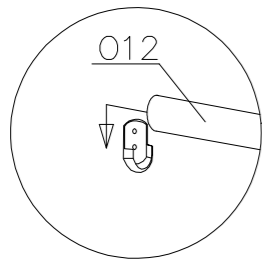


13

L=544mm

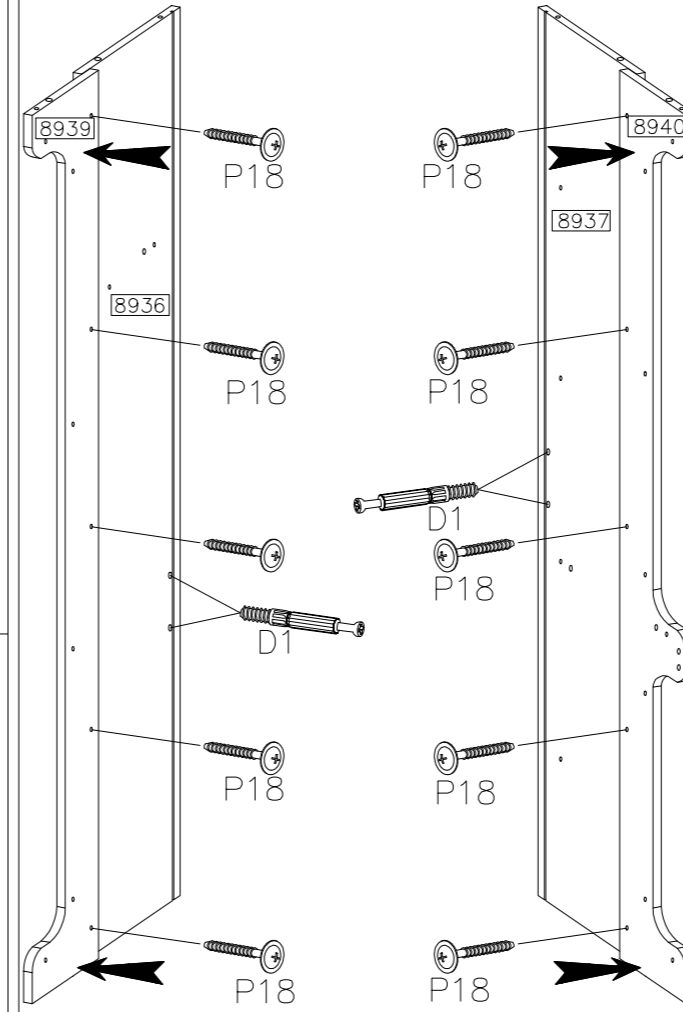


O12  
1



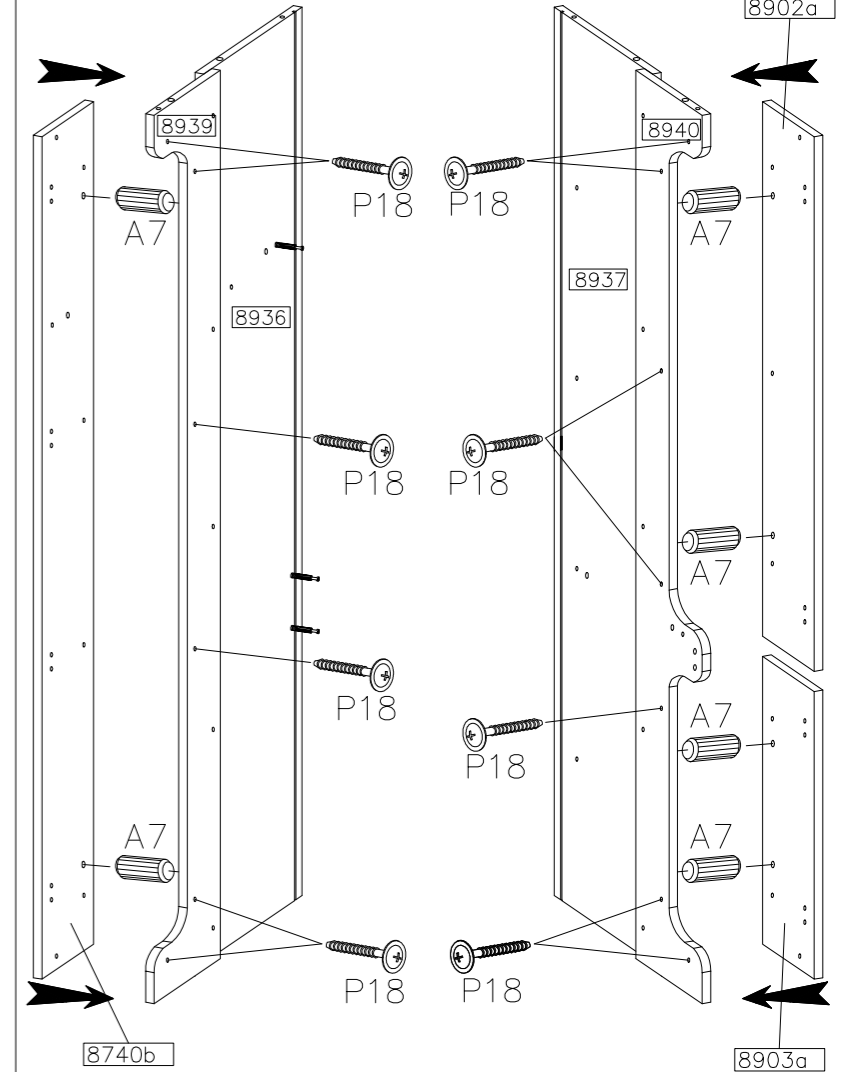
1

ø4.0x27mm P18 10	D1 4
------------------------	---------



2

ø4.0x27mm P18 13	ø8x20mm A7 6
------------------------	--------------------



3

ø8x30mm A 12	ø15/12mm C 12
--------------------	---------------------

