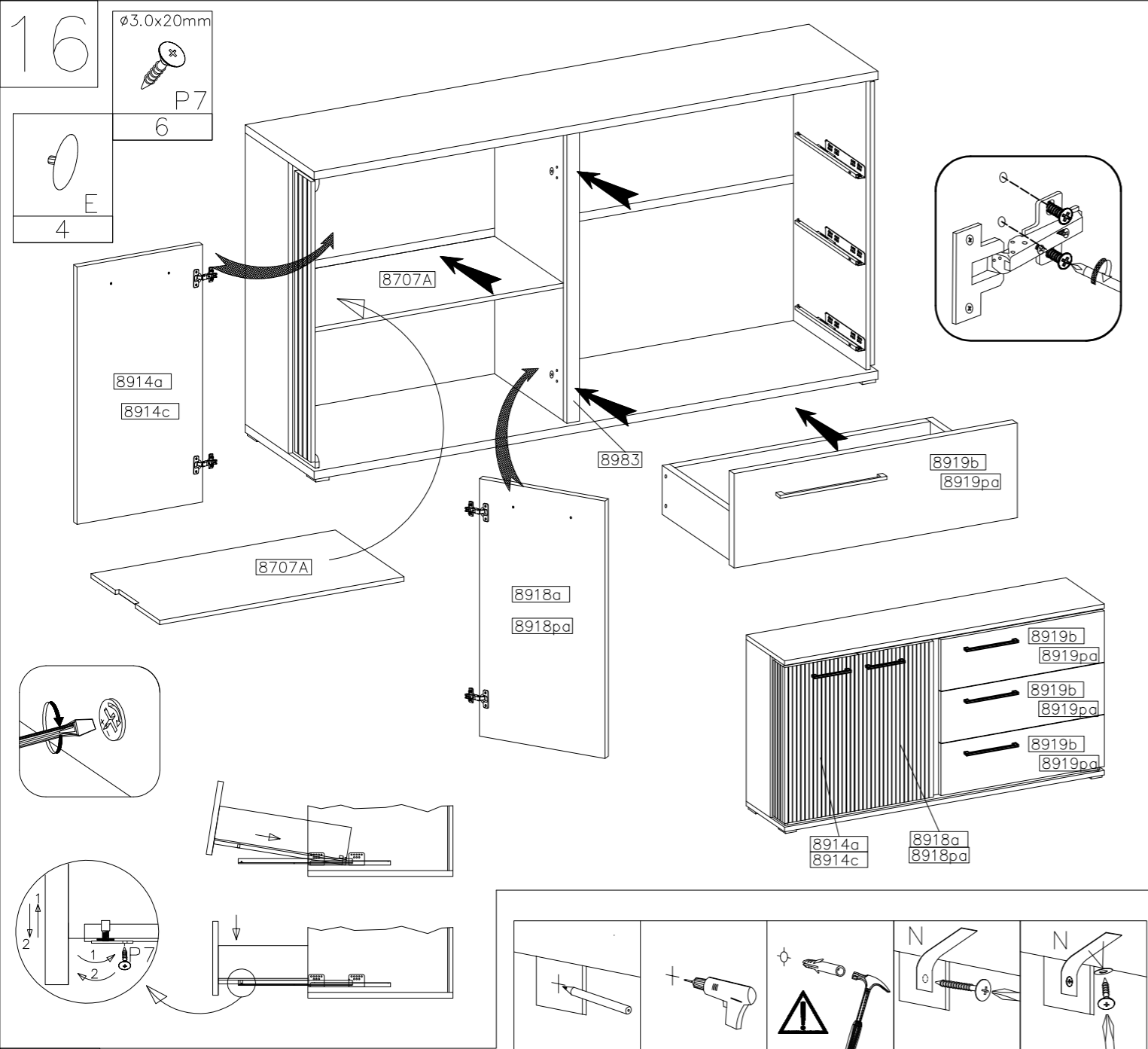


16

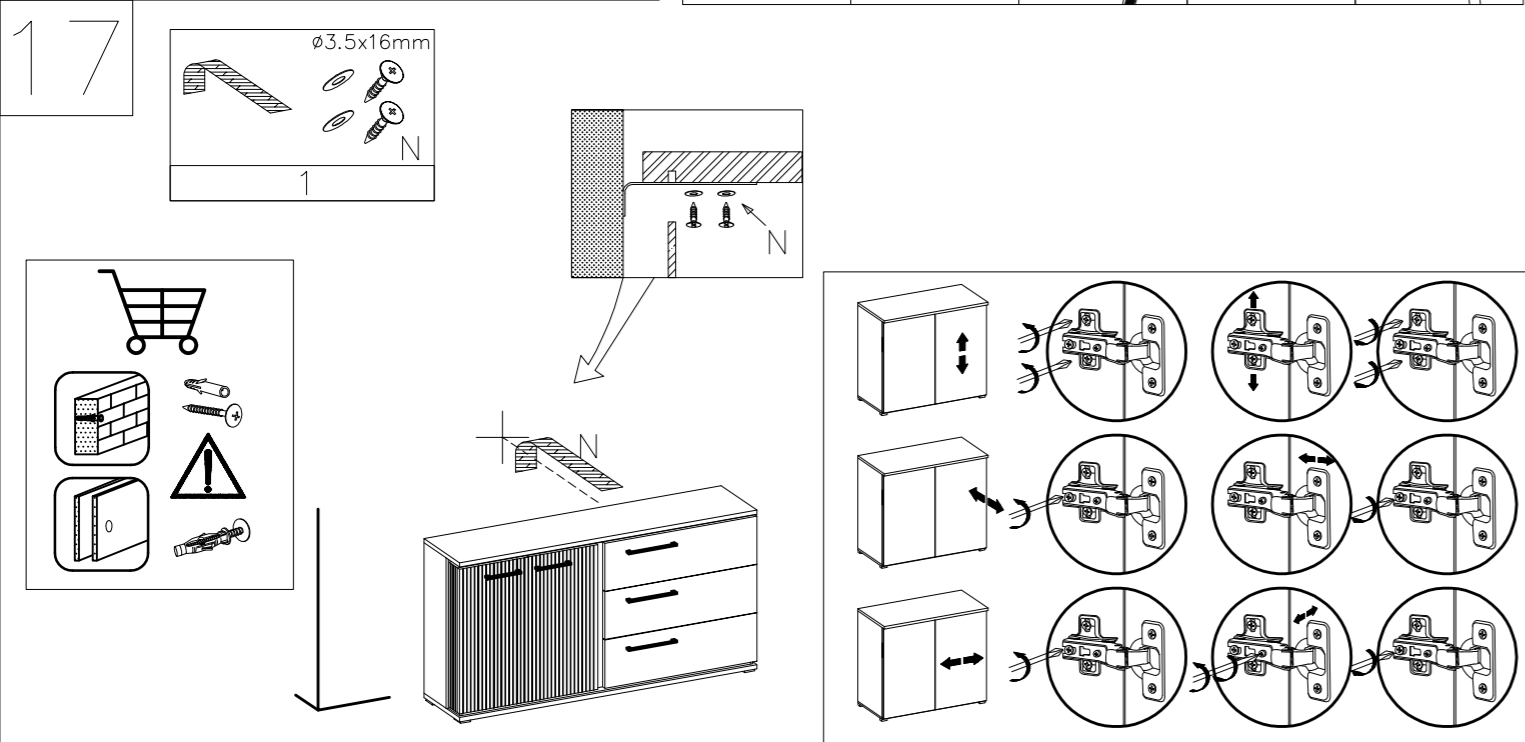
ø3.0x20mm  
P7  
6

E  
4

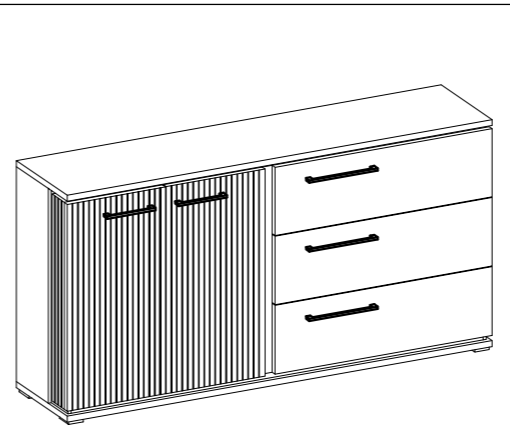
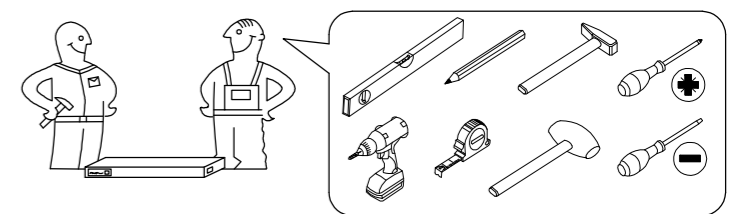


17

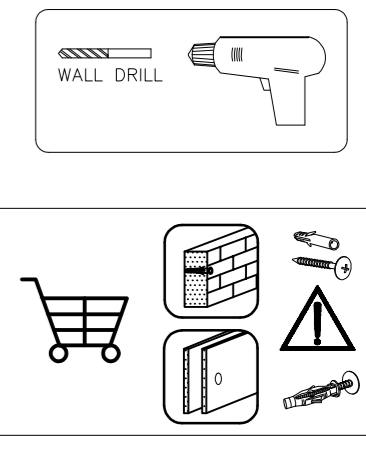
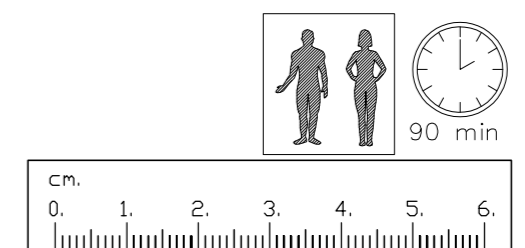
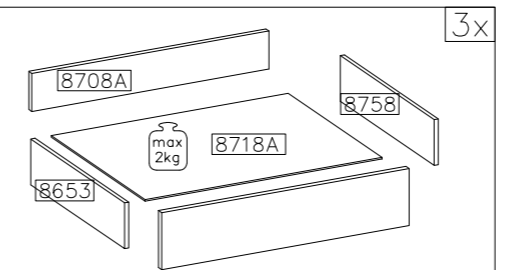
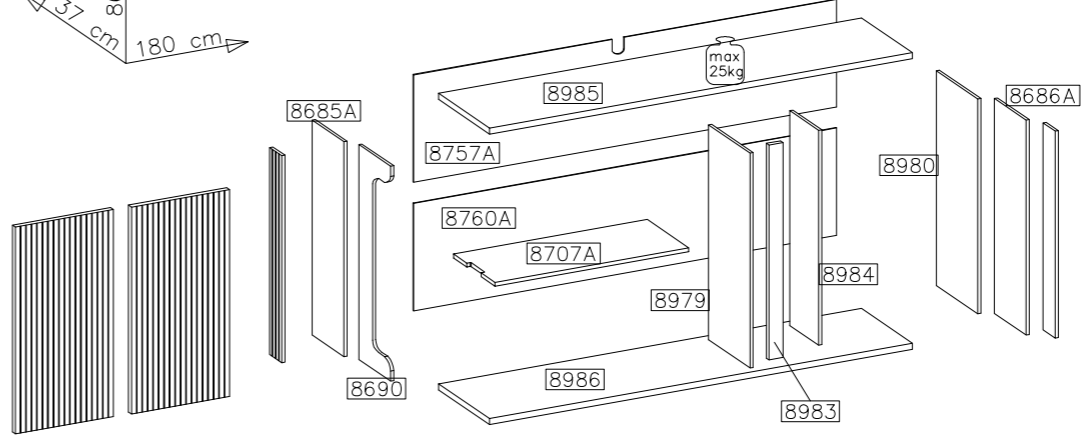
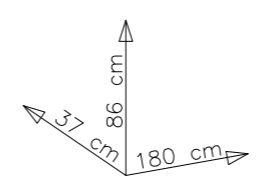
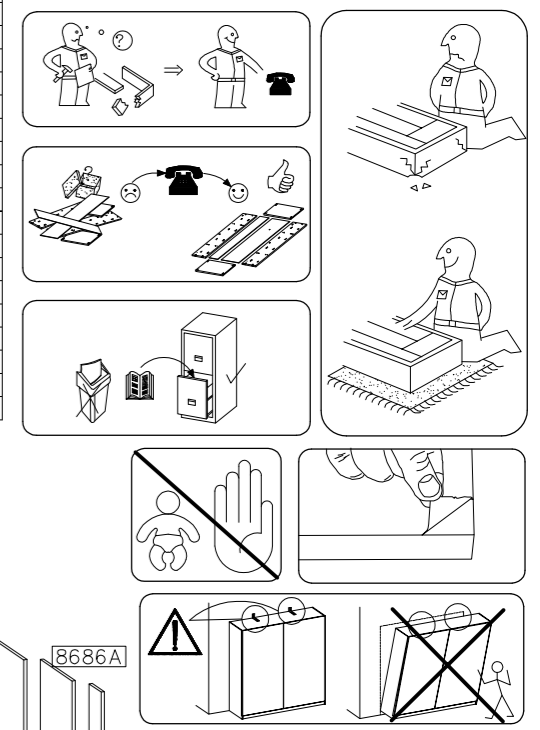
ø3.5x16mm  
N  
1



# MOLTO II -ML13



#	ART. NR	L	W	T	Q	Col.No
1	8685A	785	210	16	1	1
2	8686A	785	160	16	1	1
3	8979	785	314	16	1	1
4	8984	785	240	16	1	1
5	8707A	776	314	16	1	1
6	8690	785	160	16	1	1
7	8980	785	330	16	1	1
8	8983	785	60	16	1	1
9	8985	1800	370	25	1	2
10	8986	1800	370	25	1	2
11	8653	300	140	16	3	2
12	8758	300	140	16	3	2
13	8708A	876	123	16	3	2
14	8757A	1783	399	2,5	1	2
15	8760A	1783	399	2,5	1	2
16	8718A	891	308	2,5	3	2

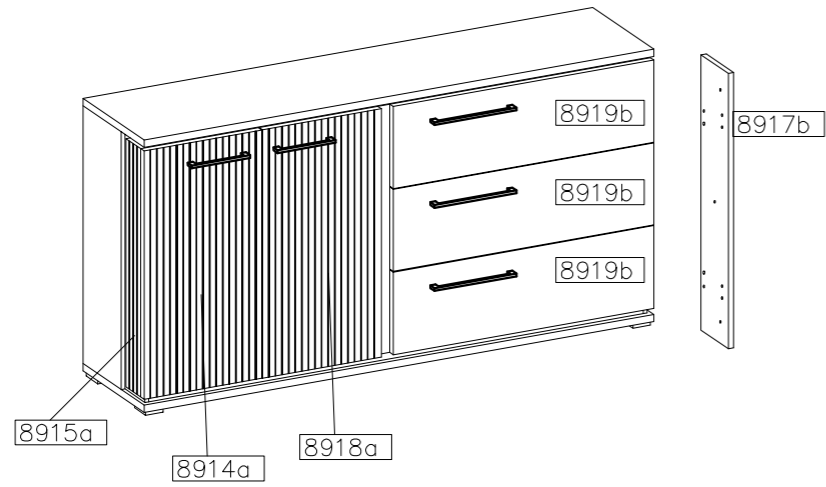


A	A7	B	B1	C	D1	E	E1	F4	Z1
32	4	12	6	18	18	18	6	5	2
L	O	P1	P3	P9	P18	P7	G6		
12	1	34	20	20	12	6	4		
J4	S2	S3	R2	L	N	R	PR1		
4	2	3	10	1	3SET				

**MOLTO II**  
-ML13

VERSION-01 ARTISAN

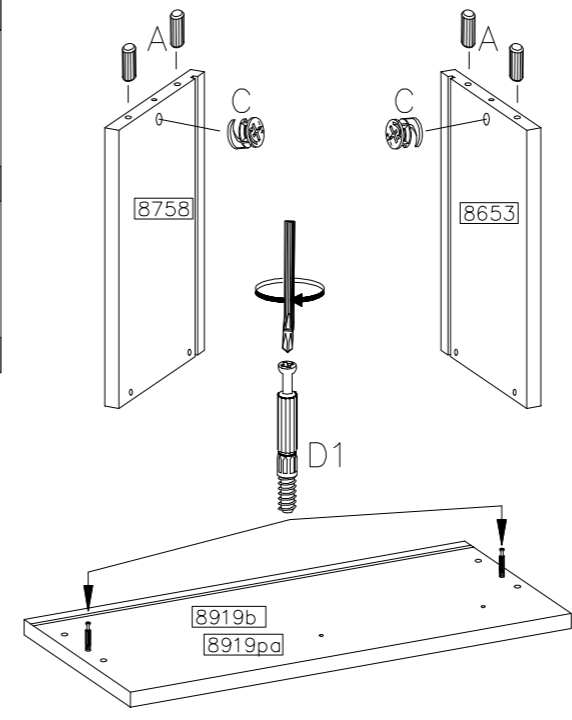
#	ART. NR	L	W	T	Q	Col.No
1	8914a	777	400	16	1	3
2	8918a	777	400	16	1	3
3	8915a	777	110	16	1	3
4	8917b	777	160	16	1	3
5	8919b	966	256	16	3	3



12

3x

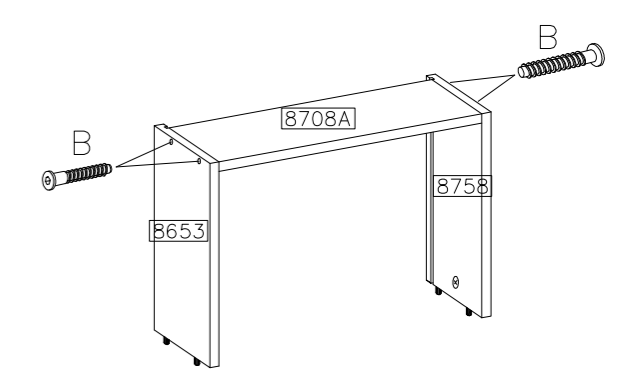
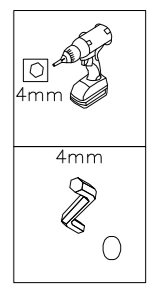
- ∅8x30mm  
A  
12
- ∅15/12mm  
C  
6
- D1  
6



13

3x

- ∅7,0x50mm  
B  
12



- ∅7,0x60mm  
B1

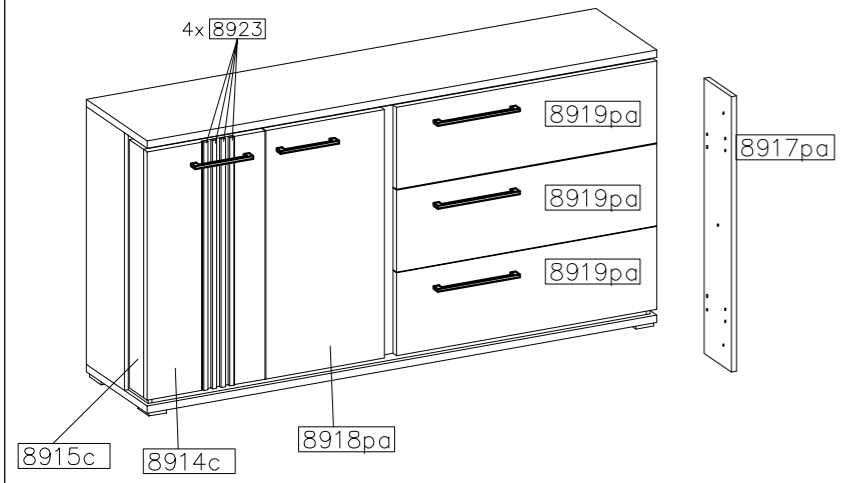


- ∅7,0x50mm  
B

- 3.0x13mm  
P13  
12

VERSION-03 BLACK FRONT

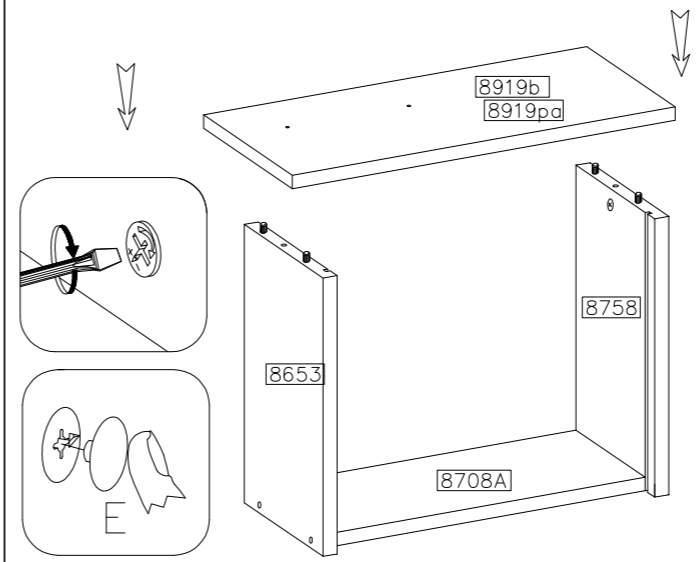
#	ART. NR	L	W	T	Q	Col.No
1	8914c	777	400	16	1	3
2	8918pa	777	400	16	1	3
3	8915c	777	110	16	1	3
4	8917pa	777	160	16	1	3
5	8919pa	966	256	16	3	3
6	8923	776	16	10	4	3



14

3x

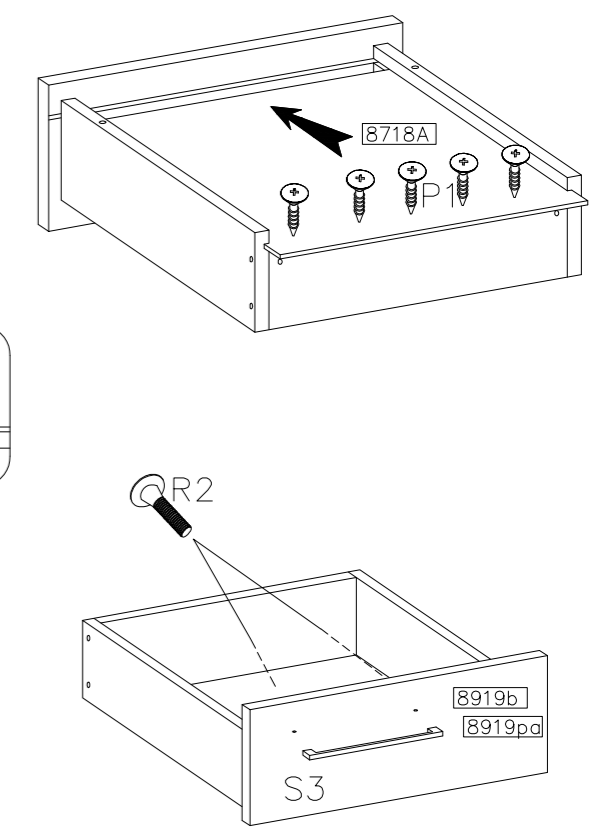
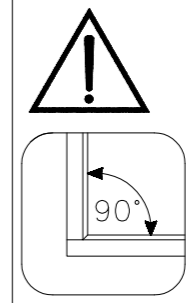
- E  
6

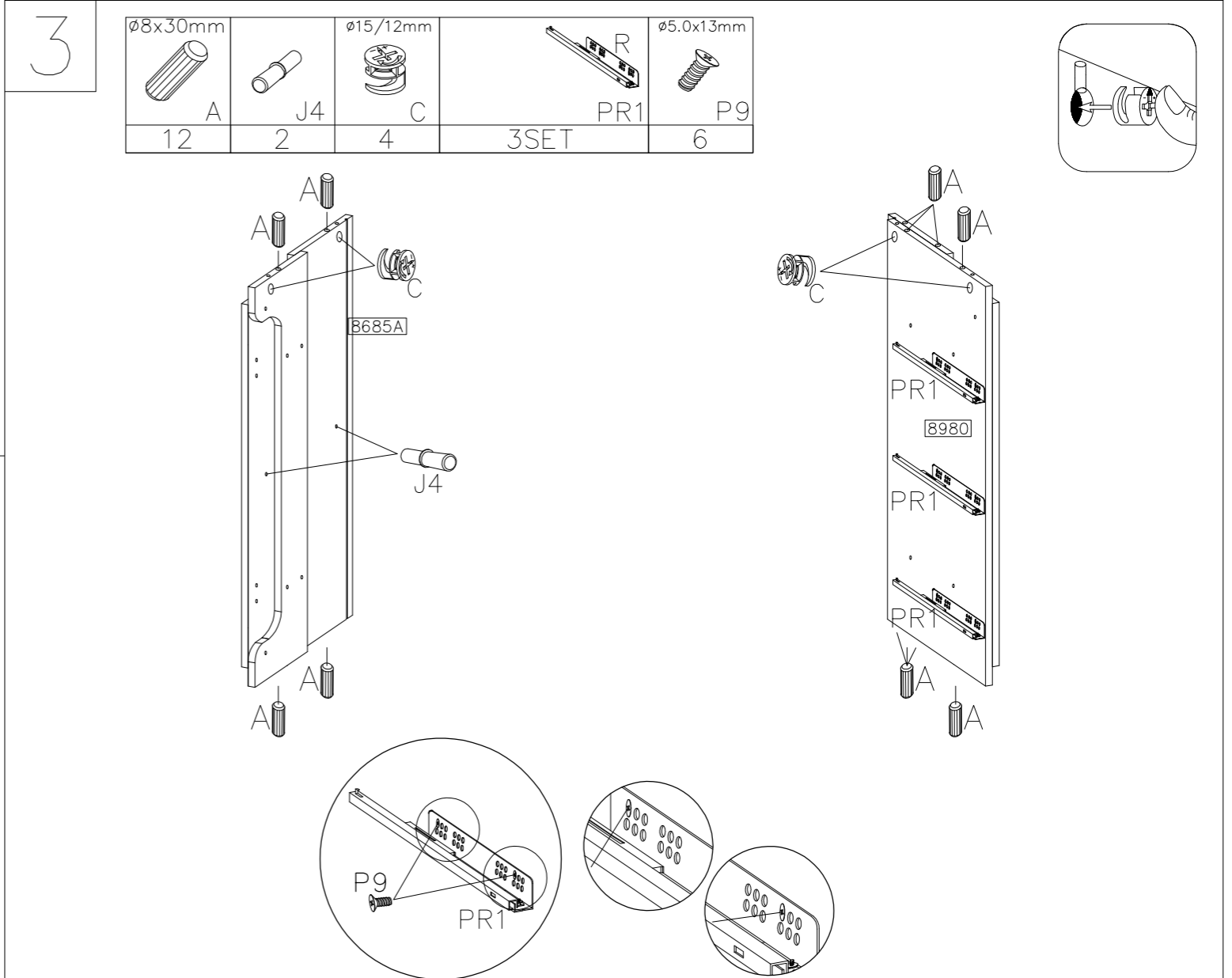
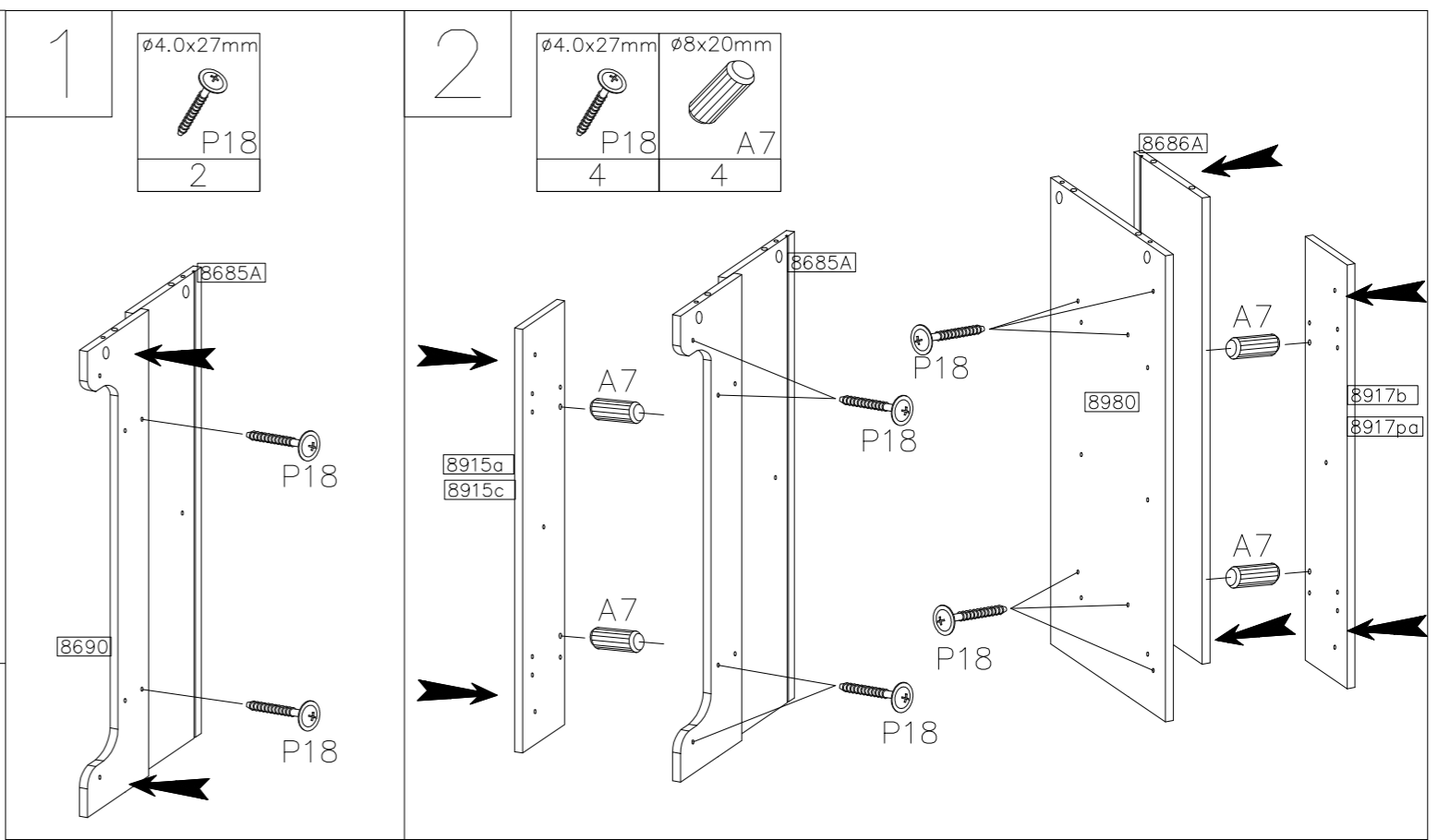
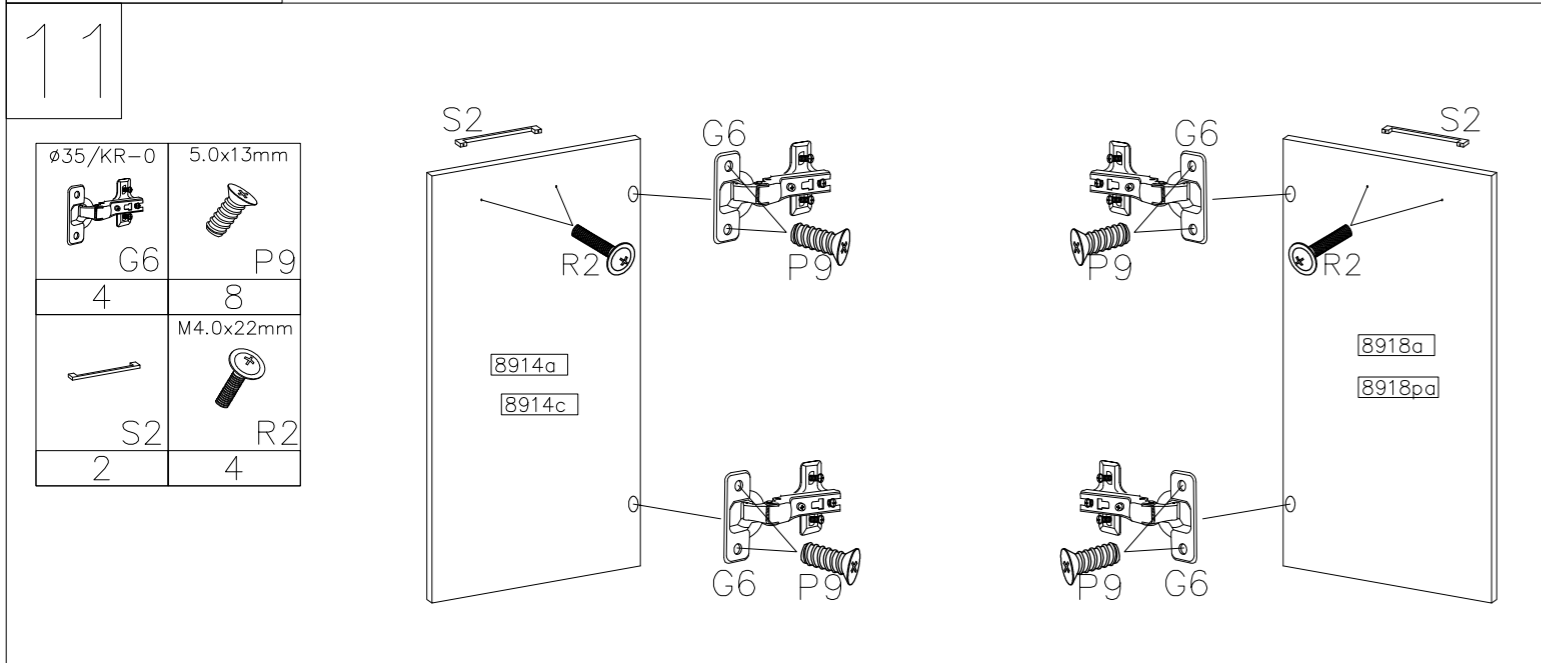
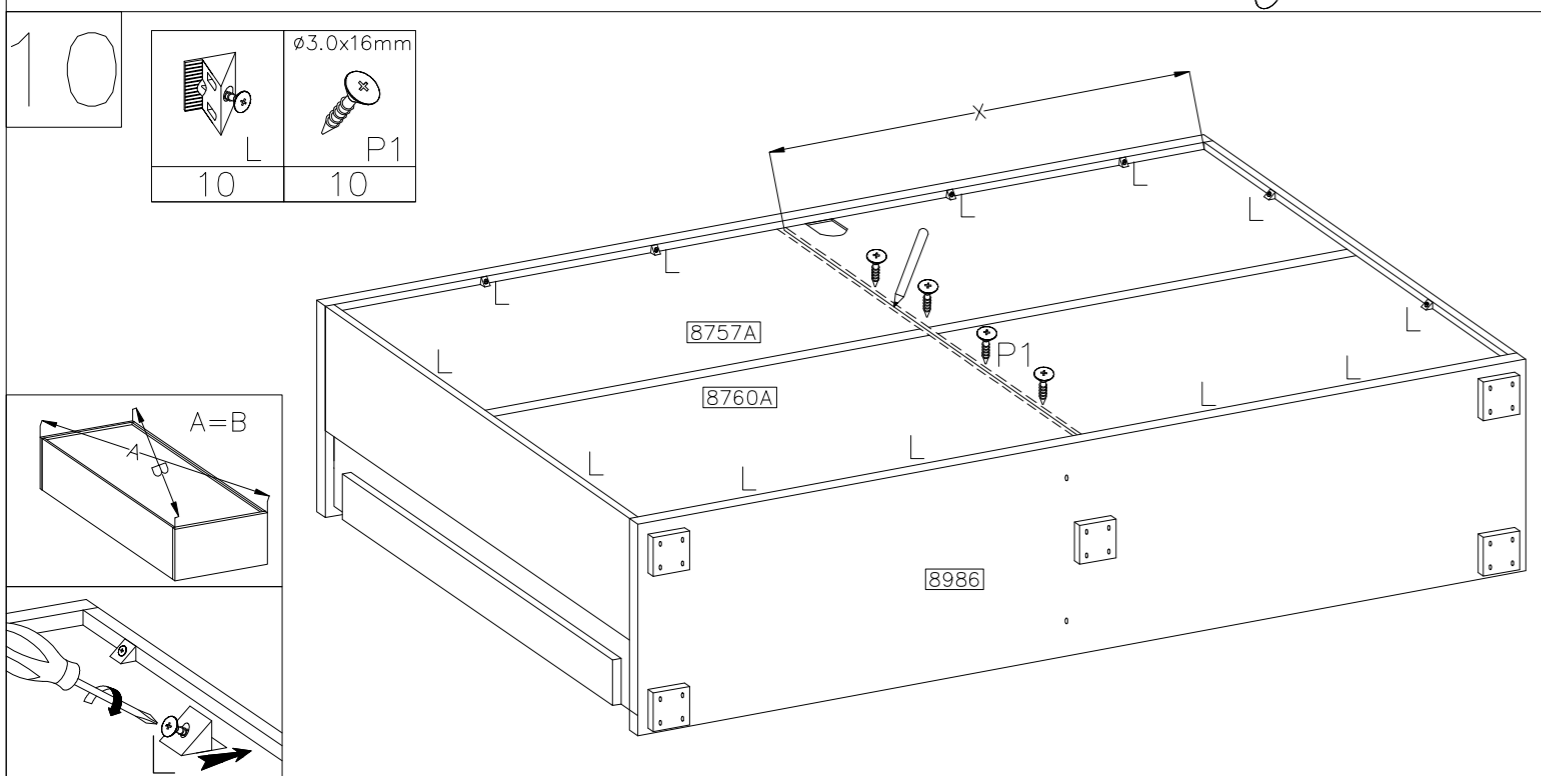
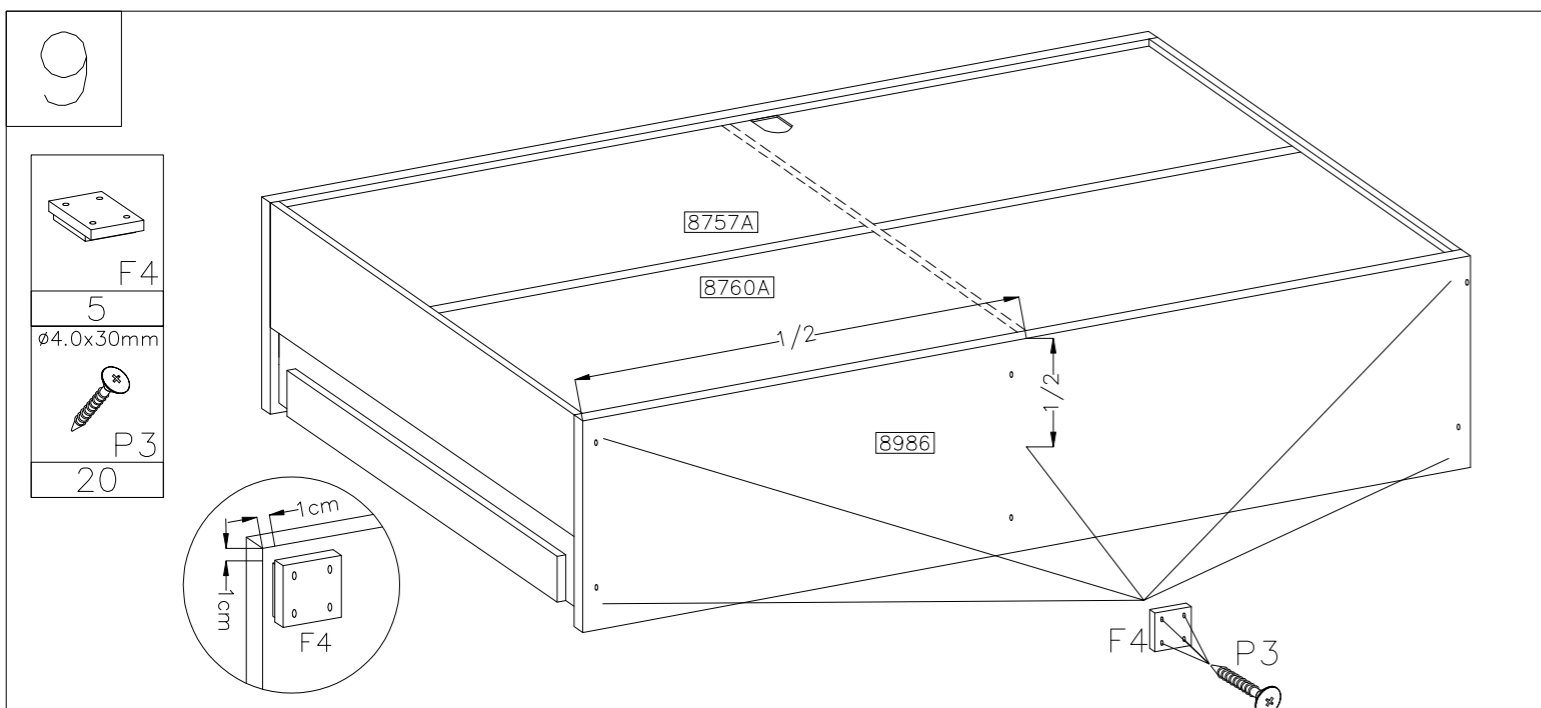


15

3x

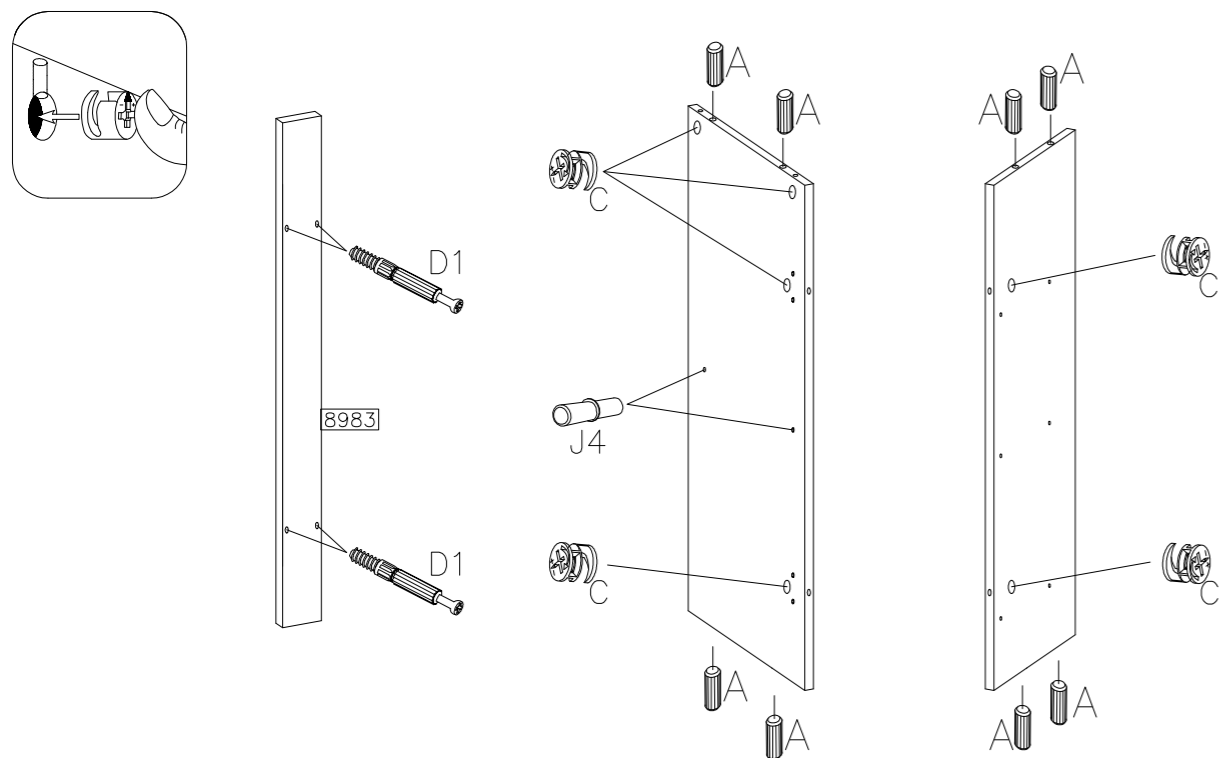
- ∅3.0x16mm  
P1  
24
- S3  
3
- M4.0x22mm  
R2  
6





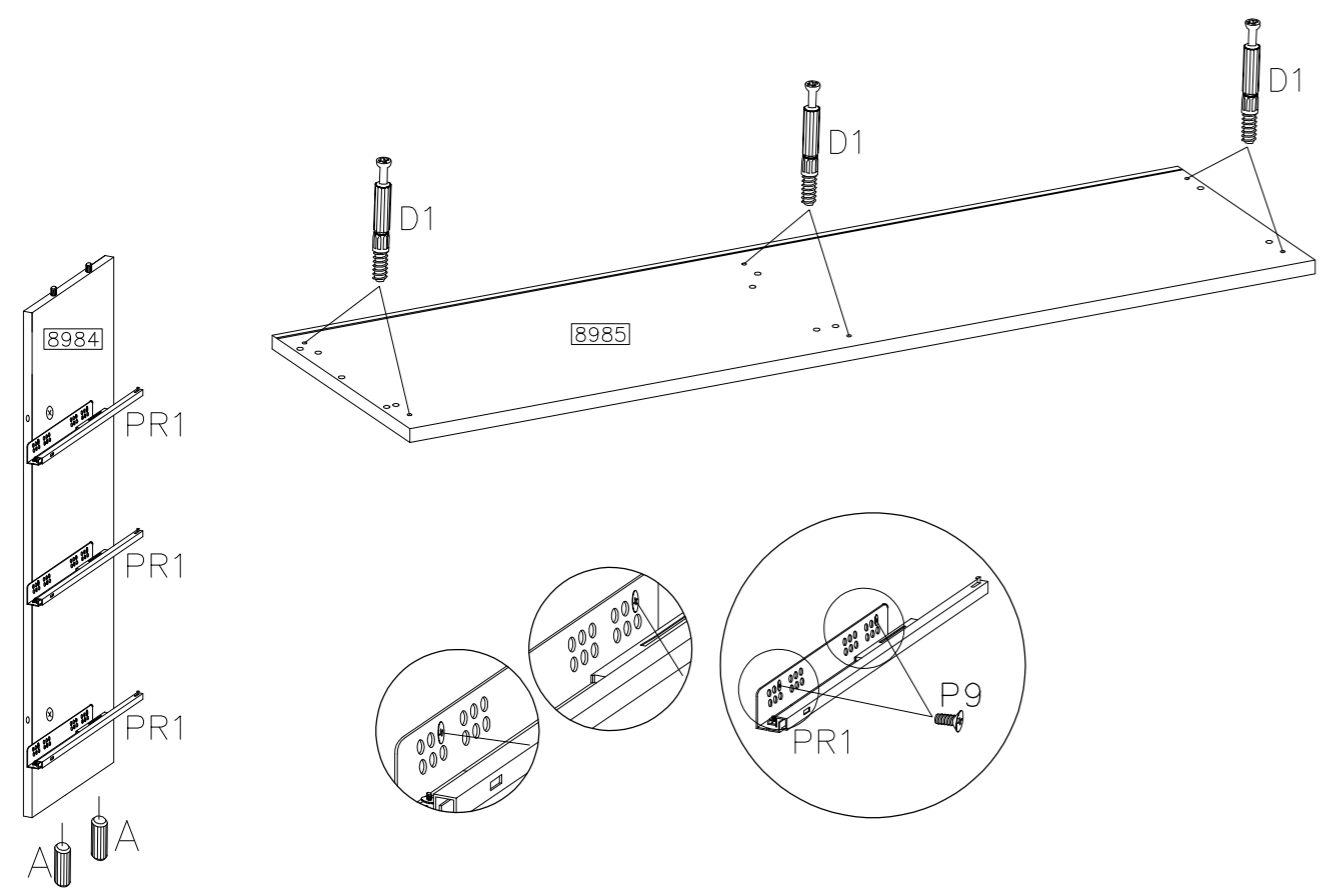
4

$\varnothing 8 \times 30 \text{mm}$ A	J4	$\varnothing 15 / 12 \text{mm}$ C	D1
8	2	6	4



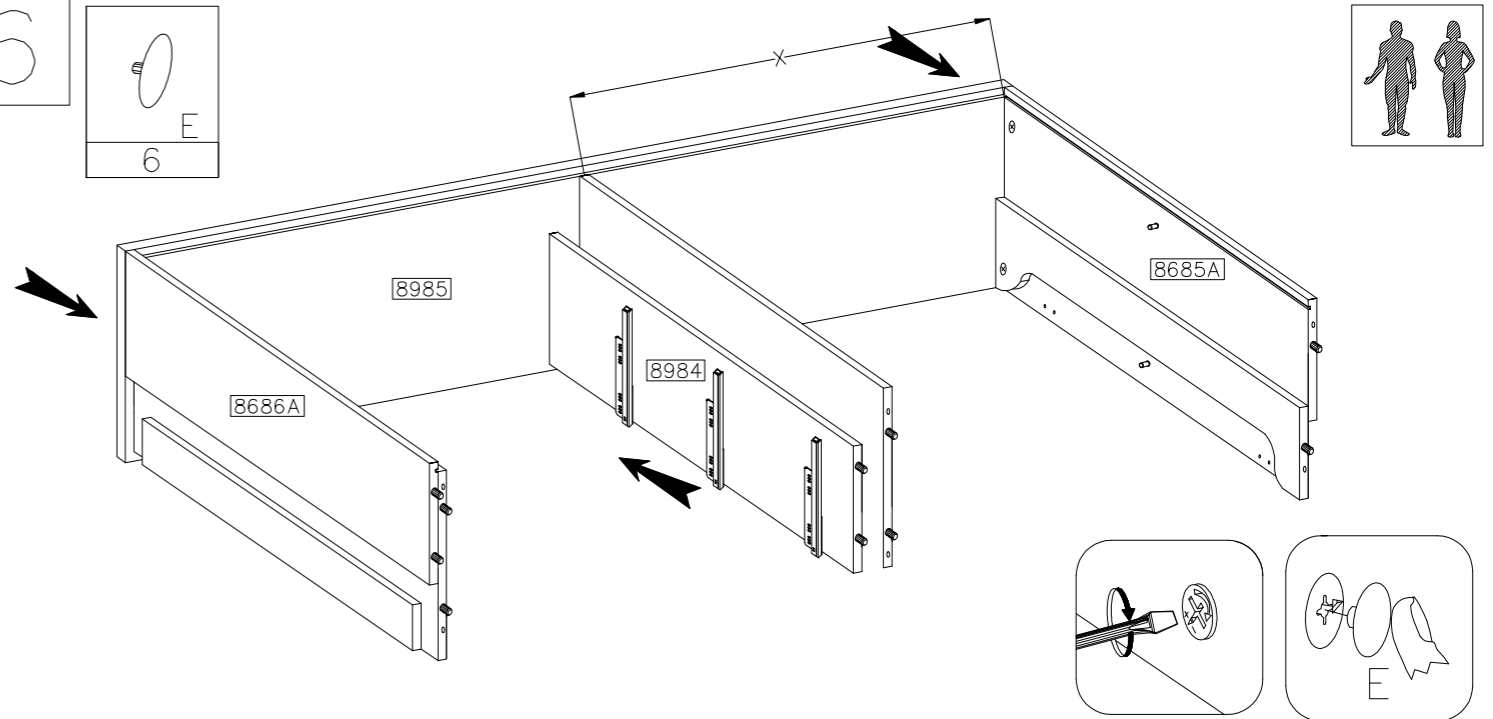
5

PR1	$\varnothing 5.0 \times 13 \text{mm}$ P9	D1
3SET	6	8



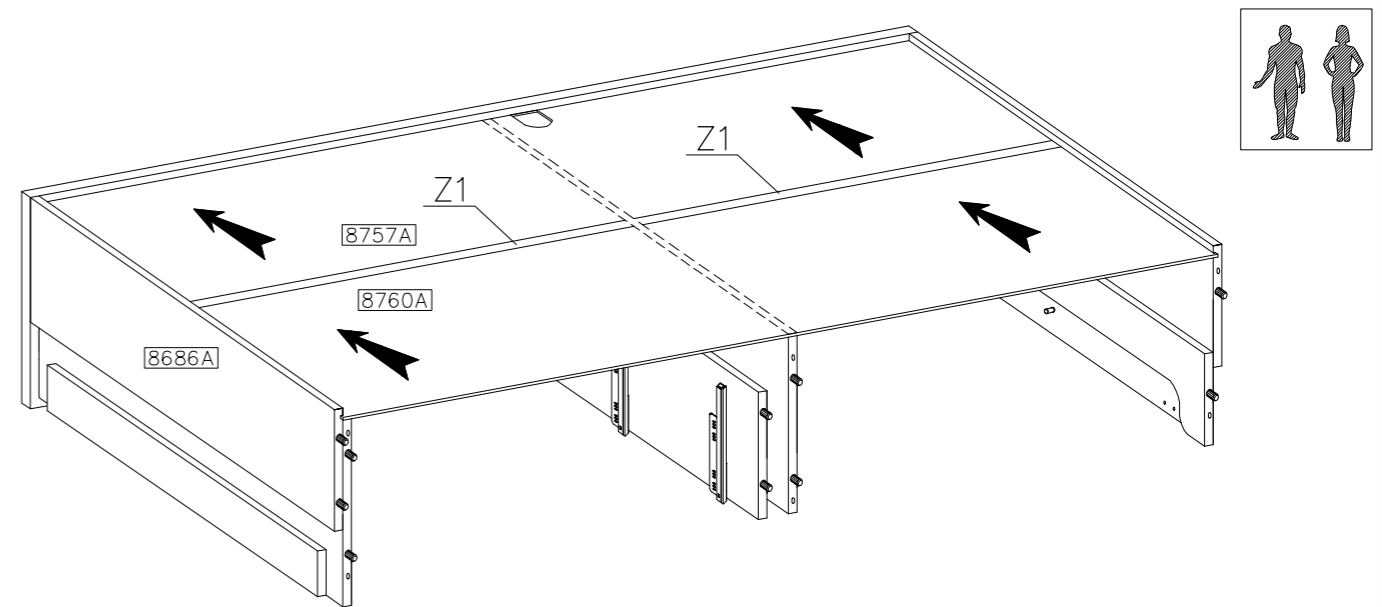
6

E
6



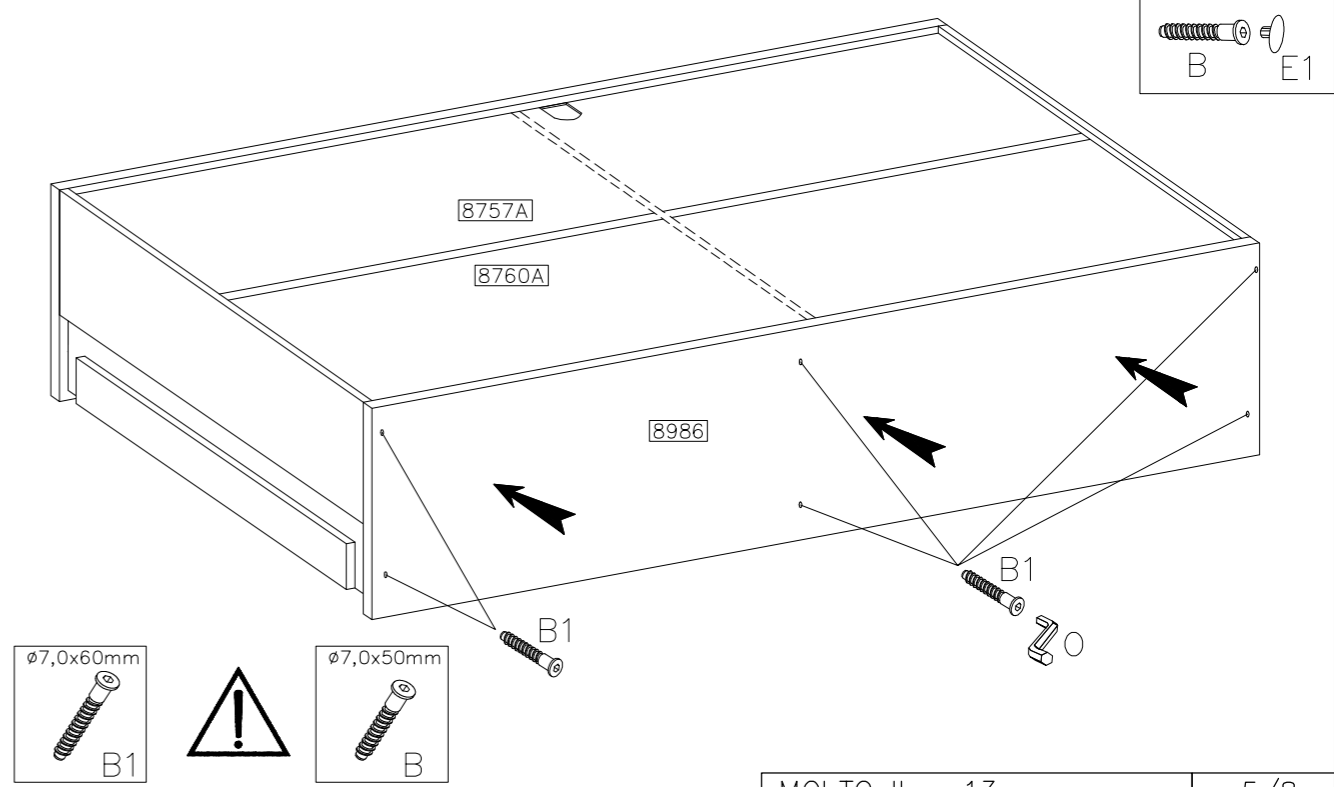
7

Z1
2



8

$\varnothing 7,0 \times 60 \text{mm}$ B1
6
O
1
E1
6



$\varnothing 7,0 \times 60 \text{mm}$ B1	$\varnothing 7,0 \times 50 \text{mm}$ B
---	--

