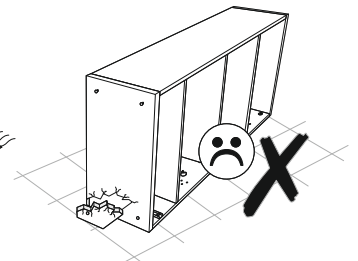
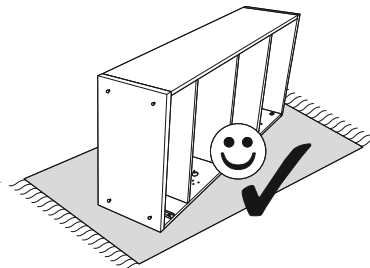
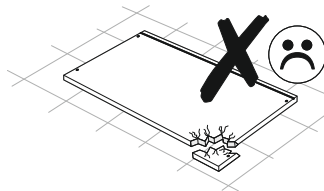
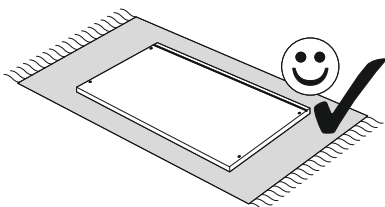
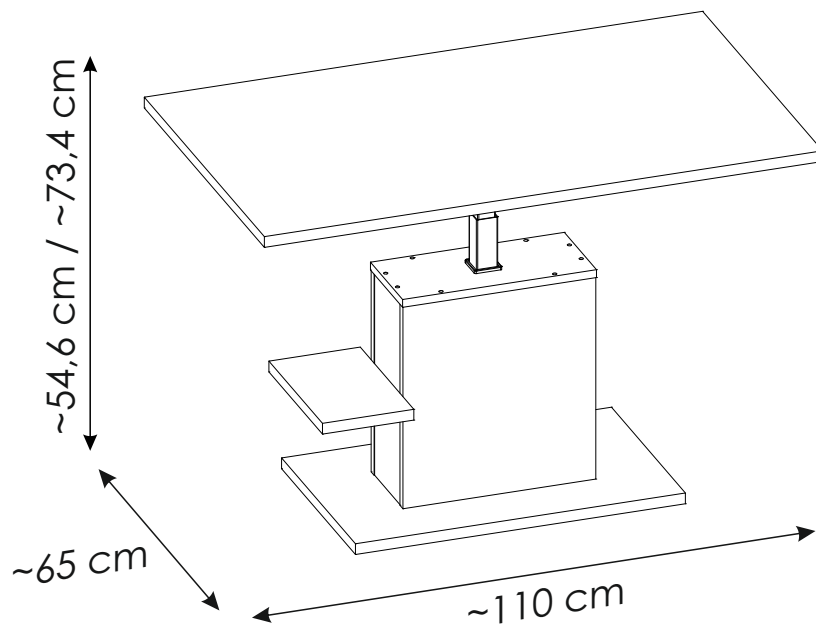
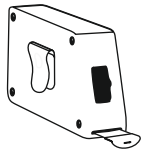
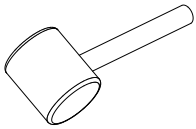
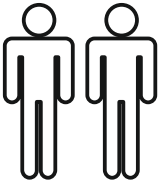
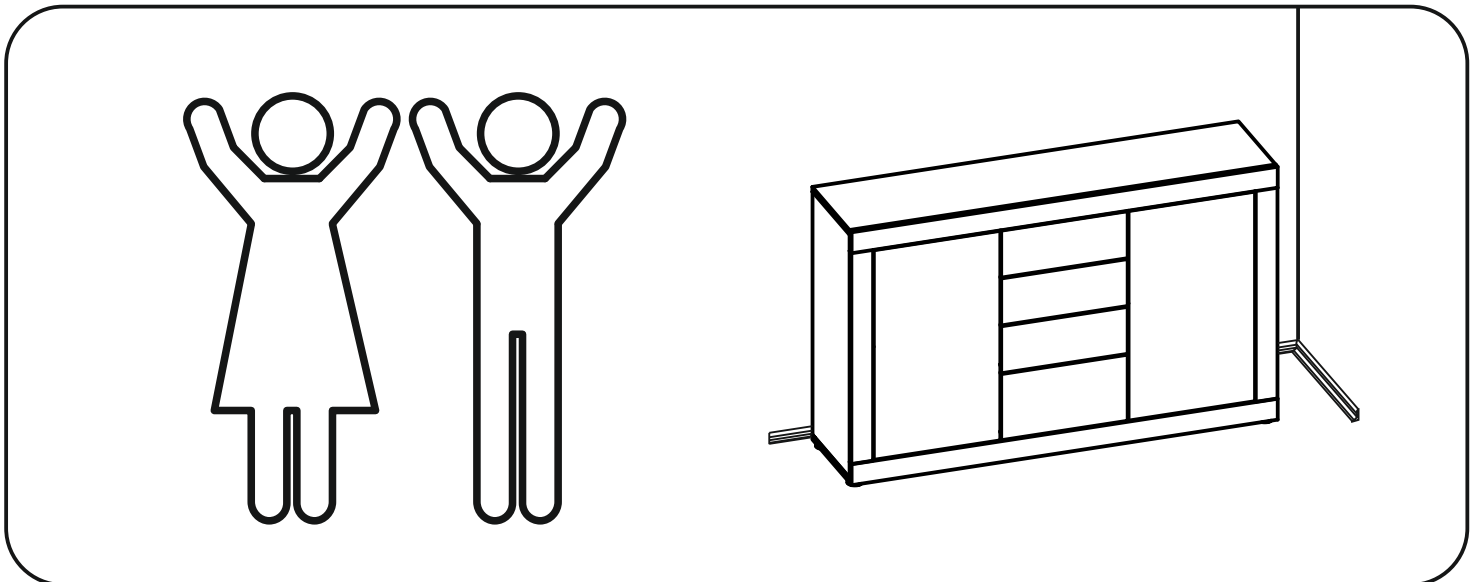
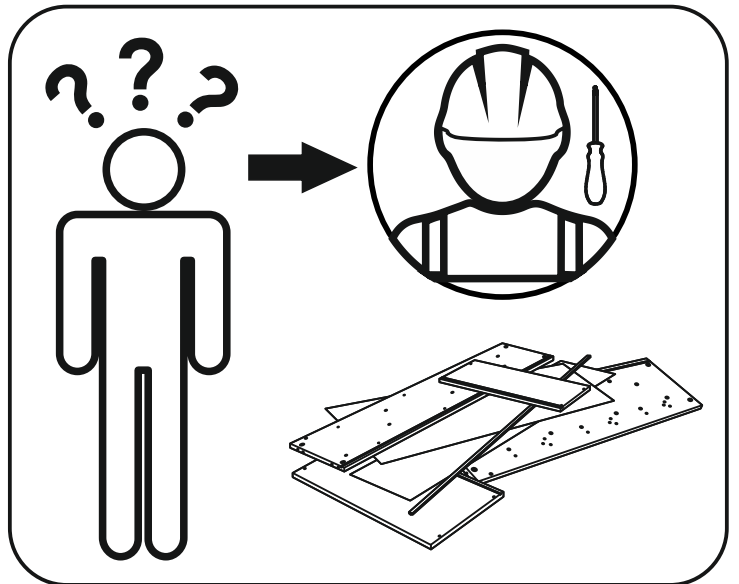
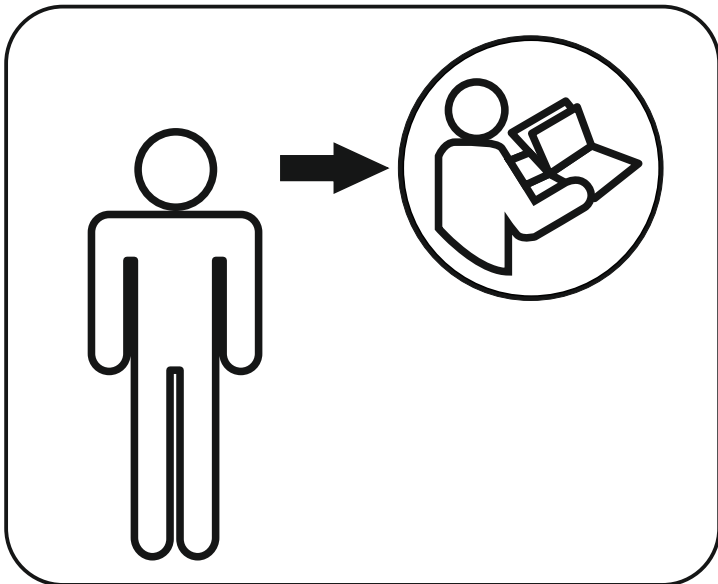
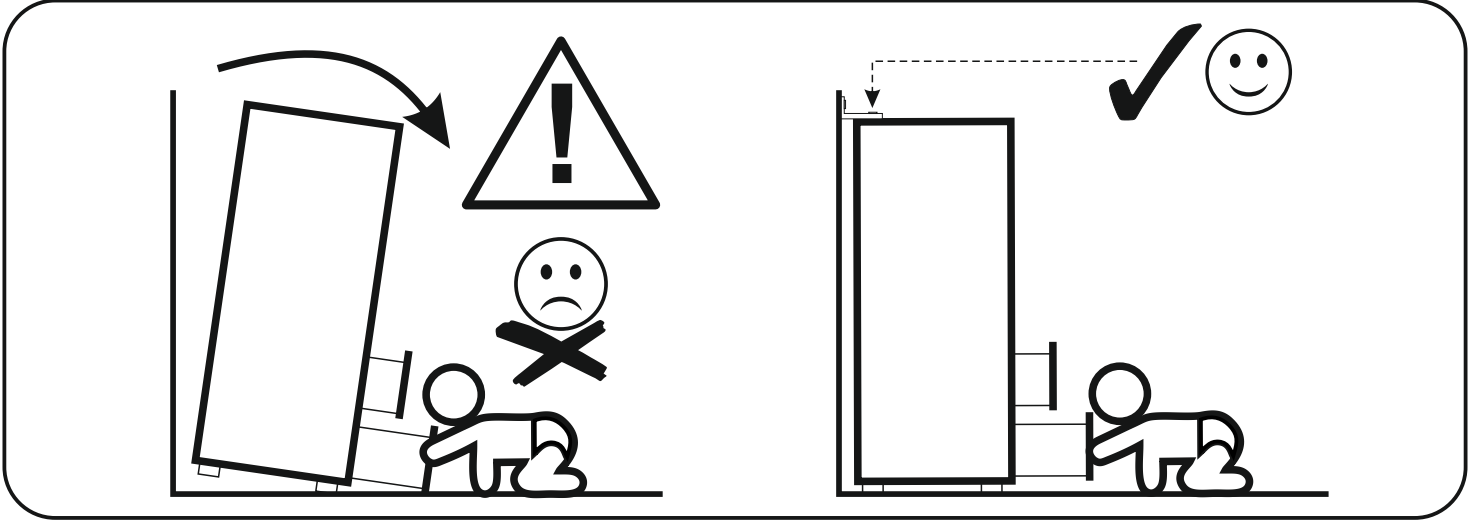
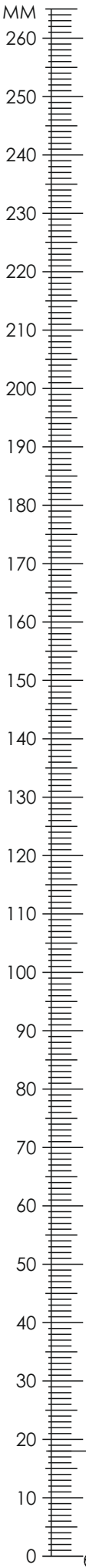



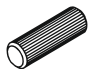

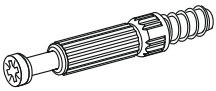
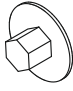
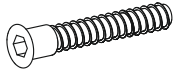

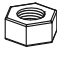
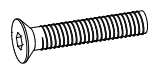
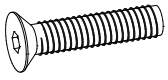
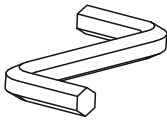
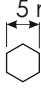


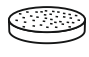
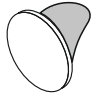

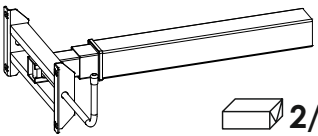
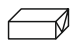
# CRTT07



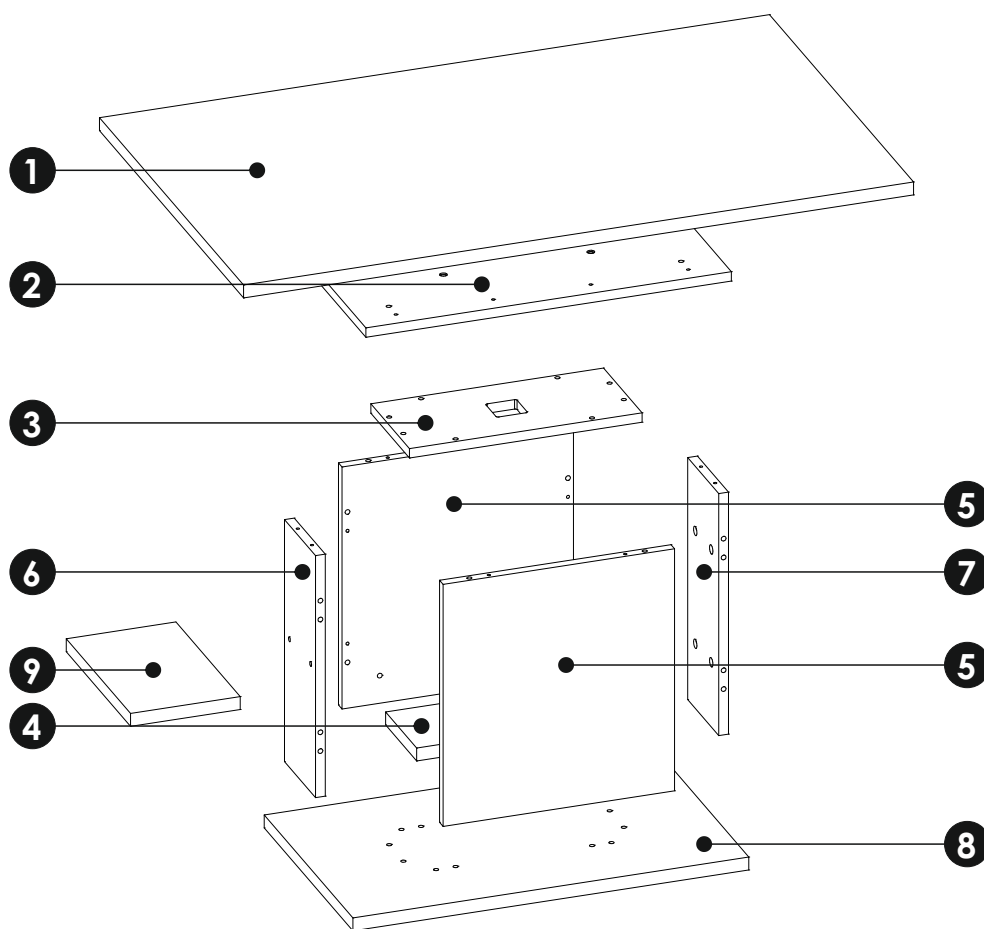
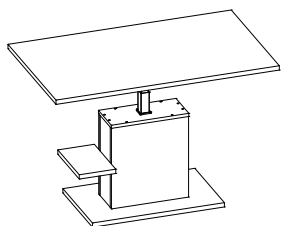


# CRTT07

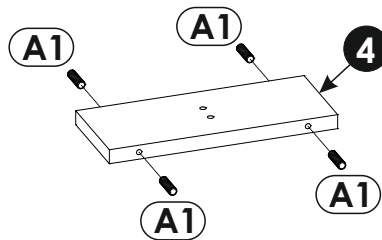
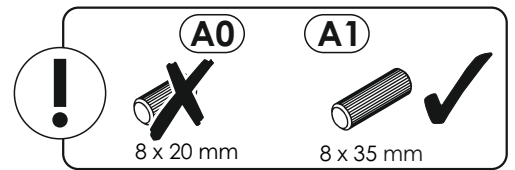
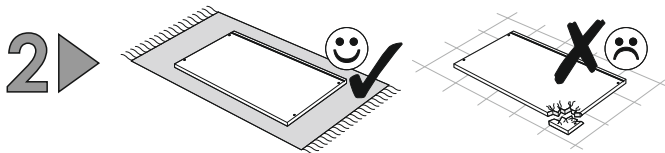
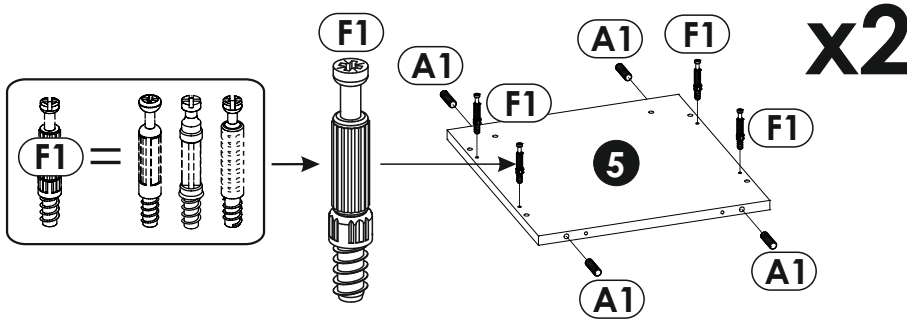
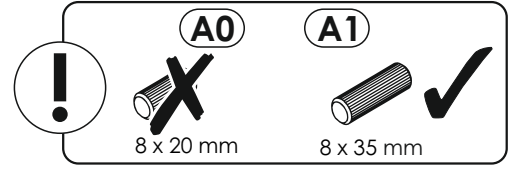
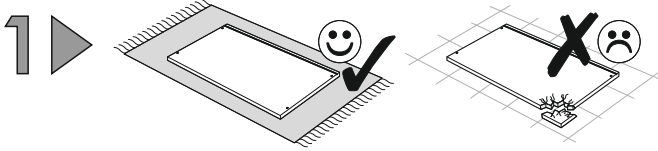
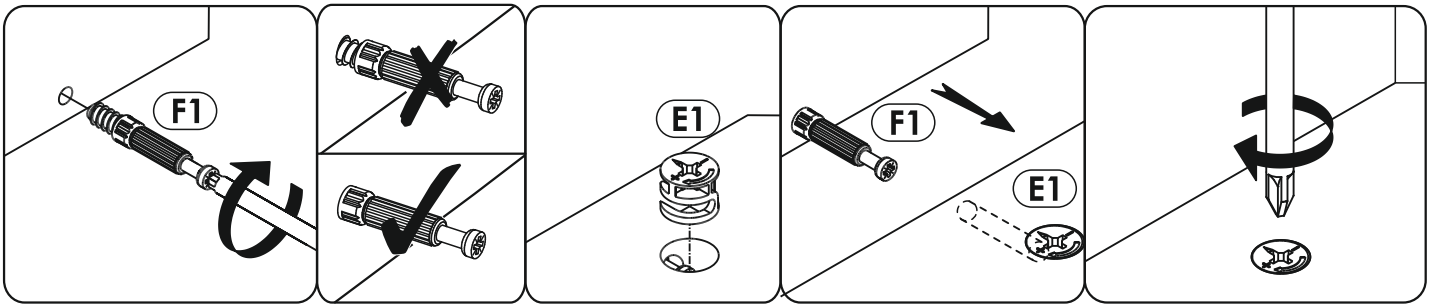


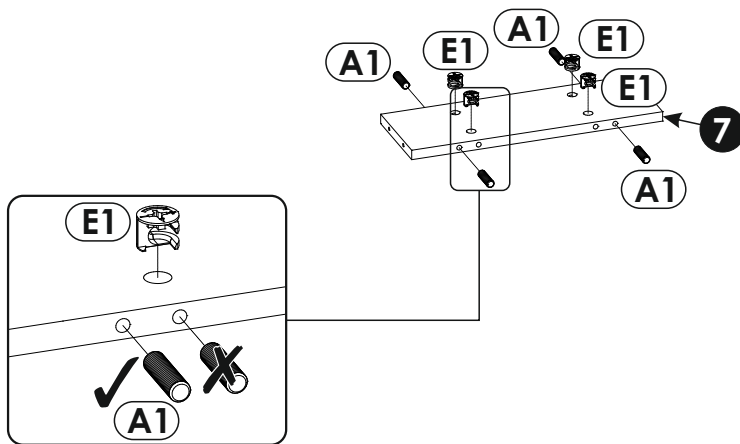
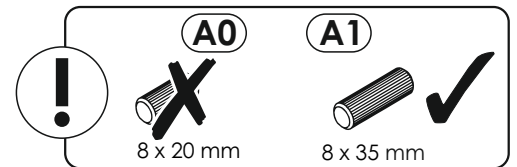
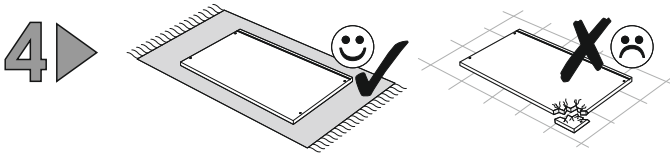
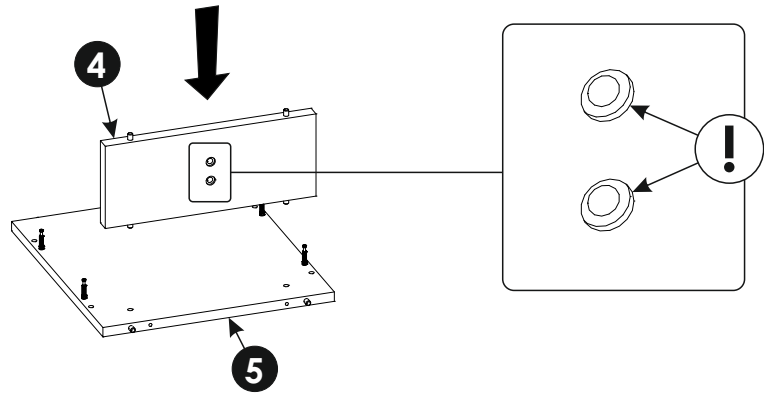
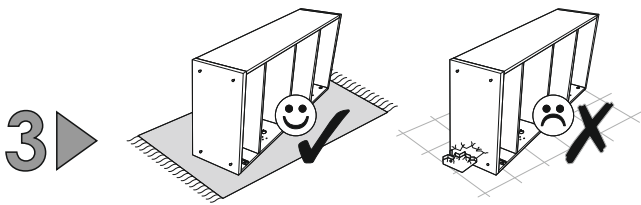
|  |   |  |
|--|---|--|
| <b>A0</b><br>8 x 20 mm<br>x4<br>    | <b>A1</b><br>8 x 35 mm<br>x20<br>  | <b>E1</b><br>15 x 12 mm<br>x8<br>   |
| <b>F1</b><br>6 x 34 mm<br>x8<br>    | <b>G0</b><br>  | <b>G1</b><br>7 x 50 mm<br>x8<br>  |
| <b>G2</b><br>7 x 60 mm<br>x10<br>   | <b>KN2</b><br><br>M6<br>x4   | <b>K23</b><br>6 x 35 mm<br>x4<br>   |
| <b>K25</b><br>8 x 40 mm<br>x2<br>   | <b>M</b><br> x1  | <b>M5</b><br><br>5 mm<br> x1 |
| <b>N14</b><br>4 x 30 mm<br>x10<br> | <b>O2A</b><br>ø20<br>x6<br>   | <b>P16</b><br> x10<br>ø14  |
| <b>S10</b><br> x4                 | <b>X</b><br> x1<br> 2/2 |  |

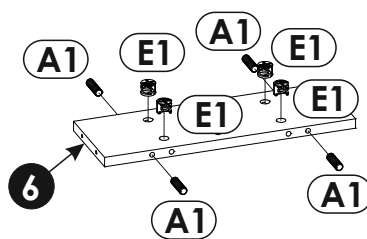
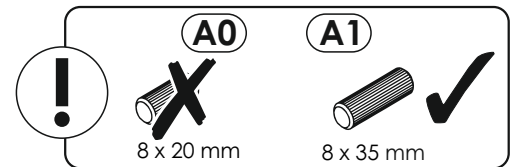
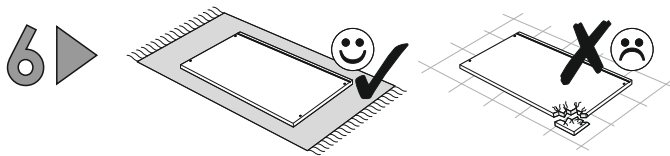
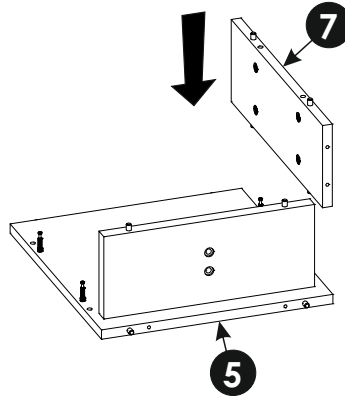
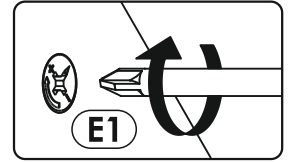
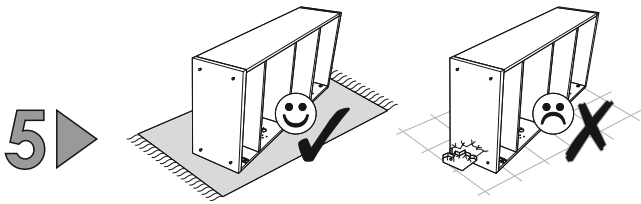
# CRTT07

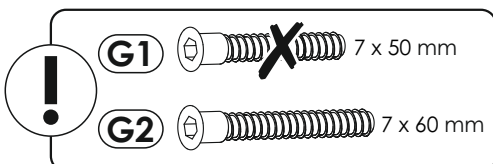
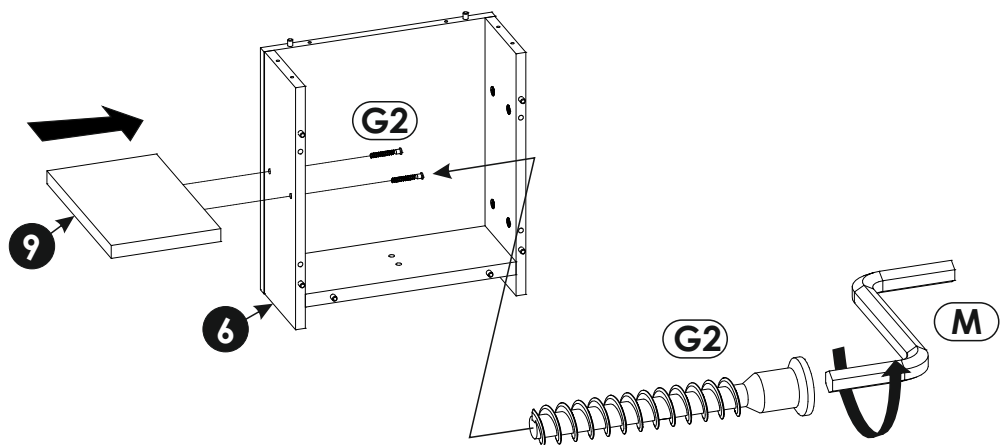
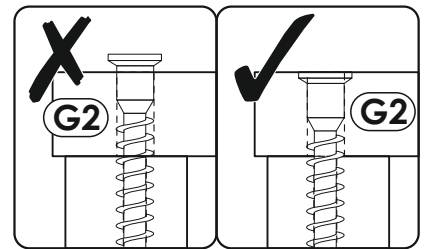
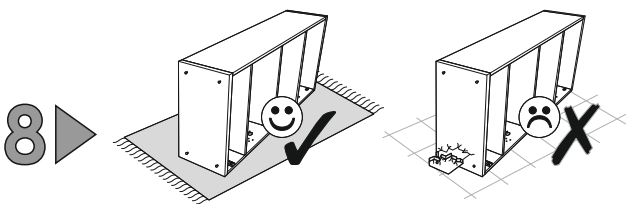
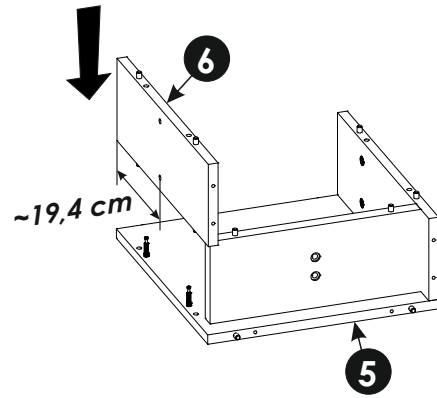
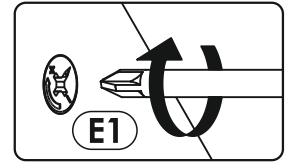
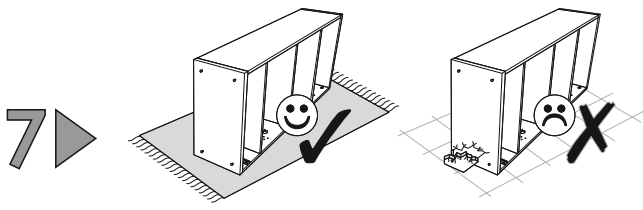


|          |      |     |    |    |     |          |     |     |    |    |     |
|----------|------|-----|----|----|-----|----------|-----|-----|----|----|-----|
| <b>1</b> | 1100 | 650 | 22 | x1 | 1/2 | <b>6</b> | 412 | 140 | 16 | x1 | 1/2 |
| <b>2</b> | 600  | 380 | 16 | x1 | 1/2 | <b>7</b> | 412 | 140 | 16 | x1 | 1/2 |
| <b>3</b> | 382  | 174 | 16 | x1 | 1/2 | <b>8</b> | 650 | 400 | 22 | x1 | 1/2 |
| <b>4</b> | 346  | 140 | 22 | x1 | 1/2 | <b>9</b> | 180 | 290 | 22 | x1 | 1/2 |
| <b>5</b> | 412  | 380 | 16 | x2 | 1/2 |          |     |     |    |    |     |

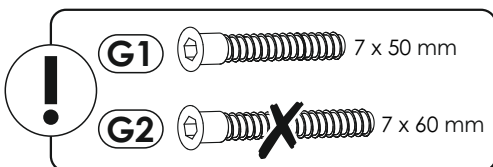
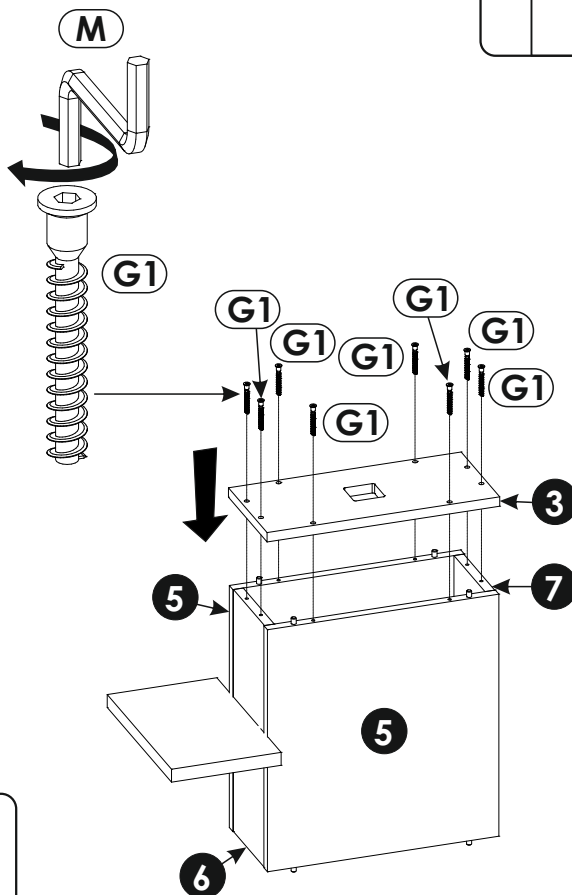
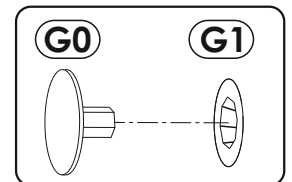
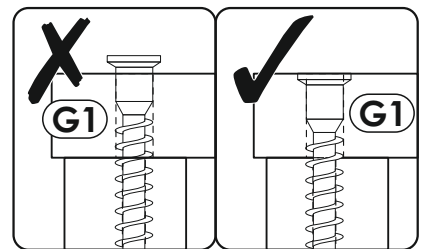
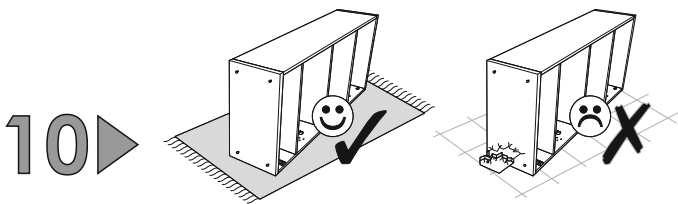
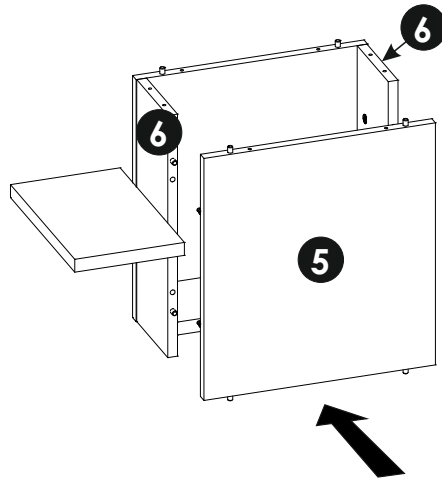
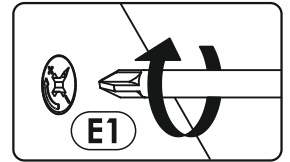
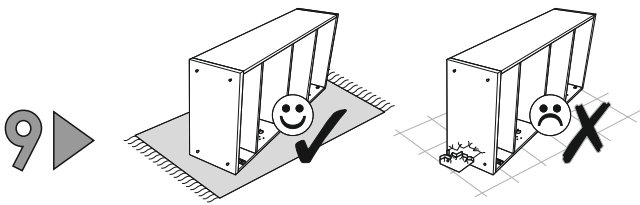




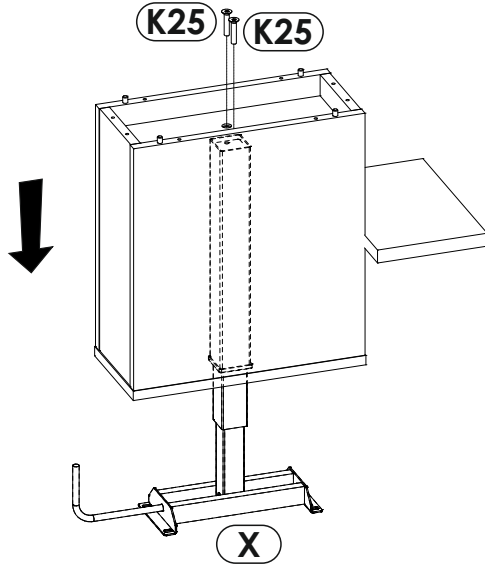
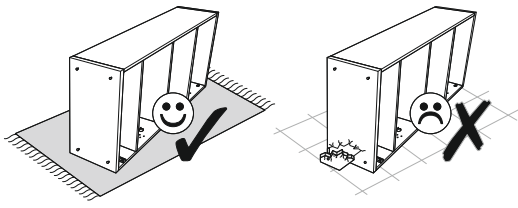




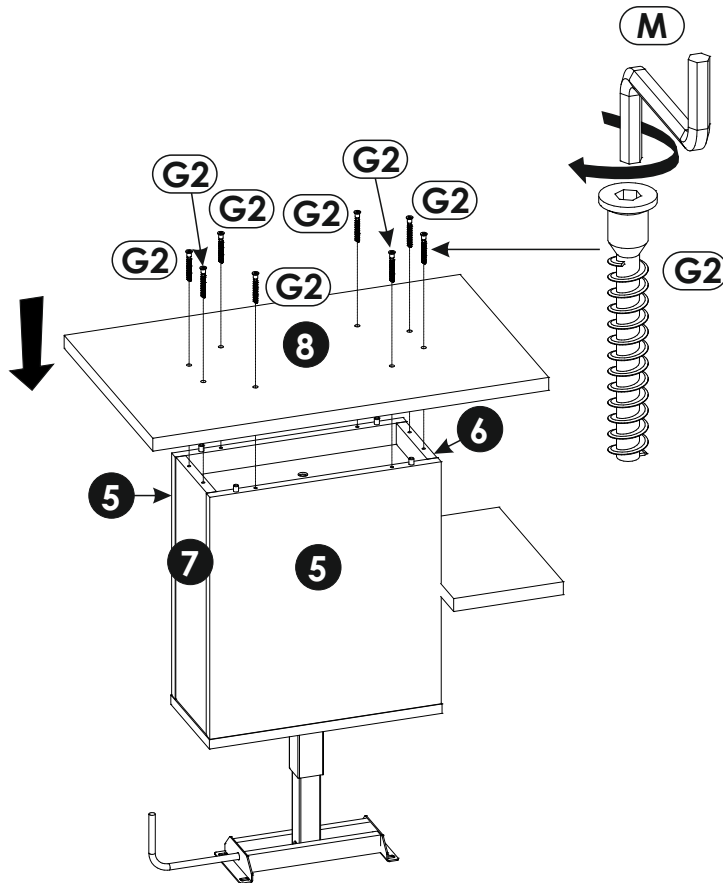
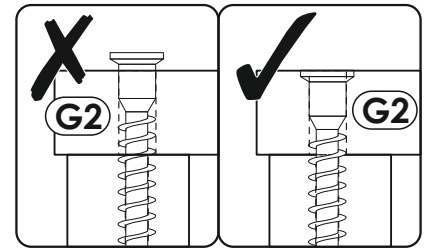
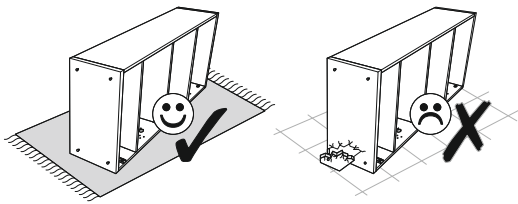




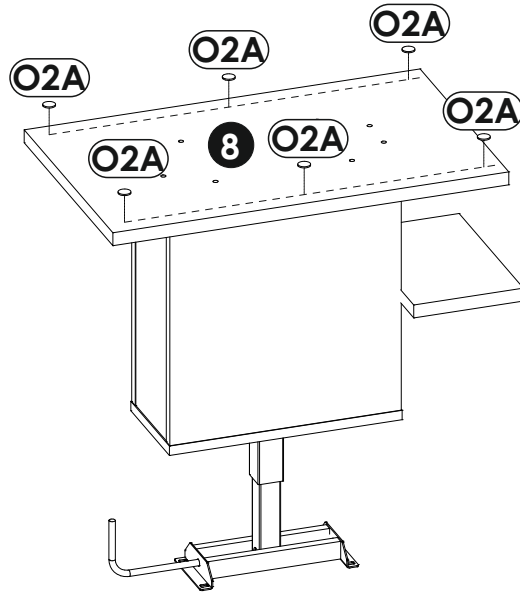
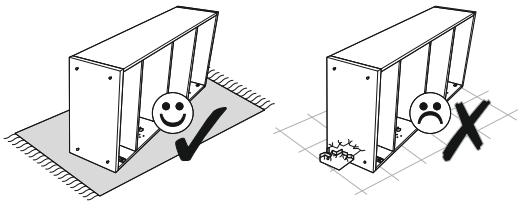
11 ▶



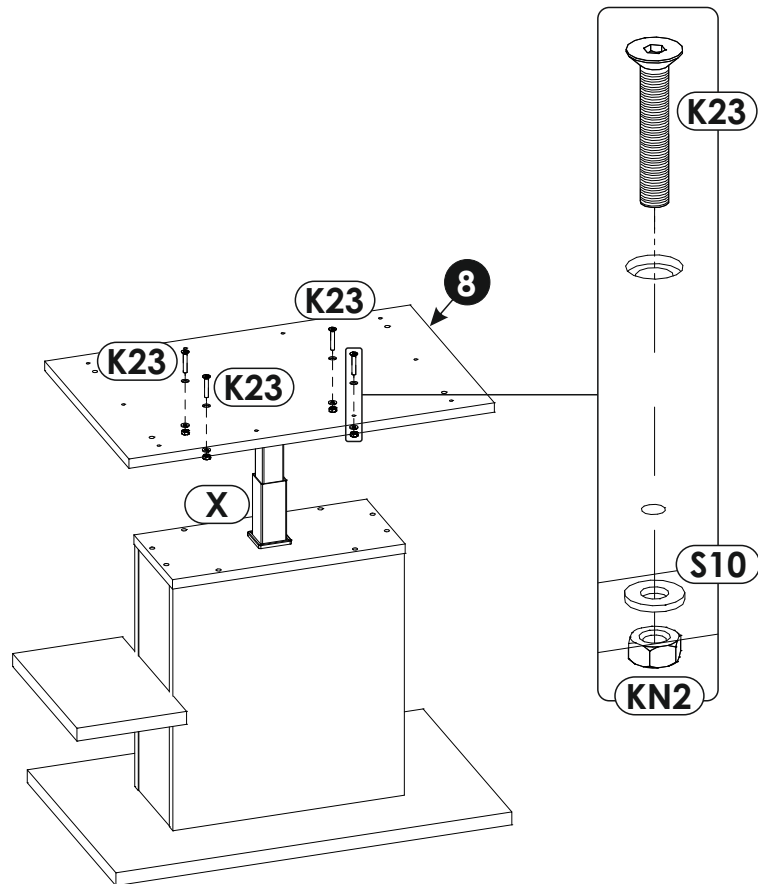
12 ▶



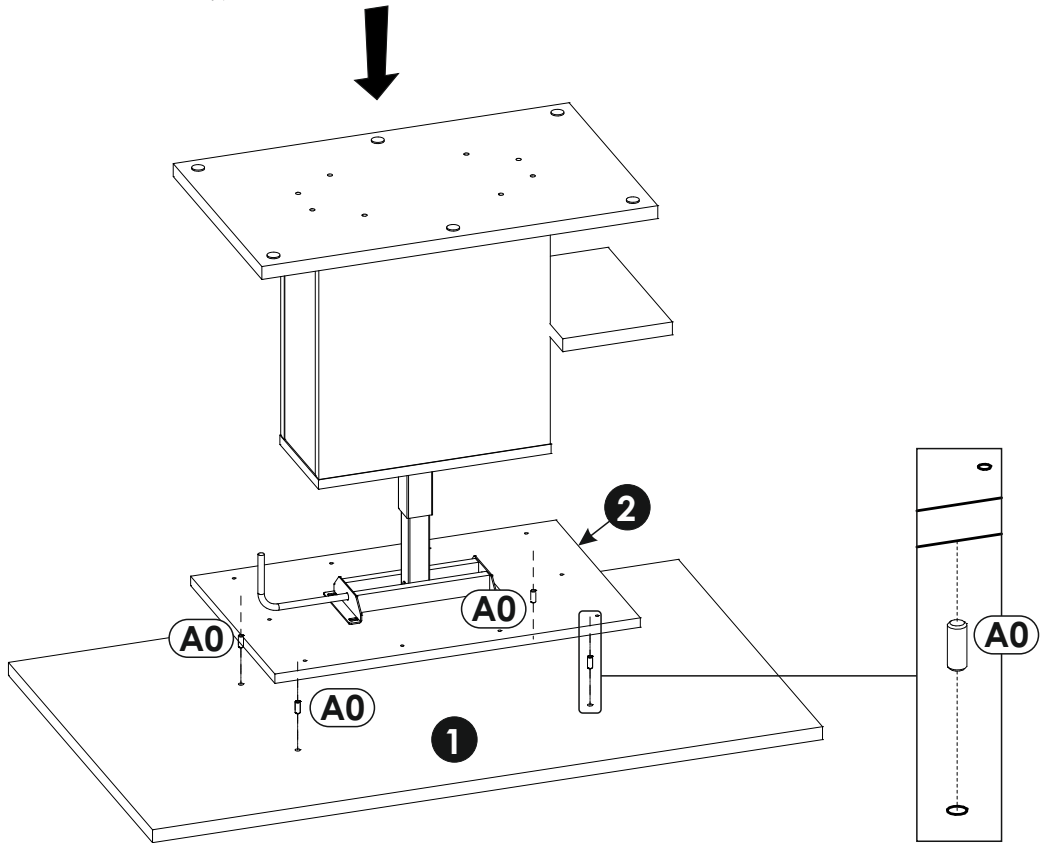
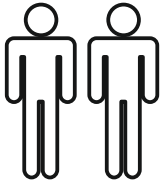
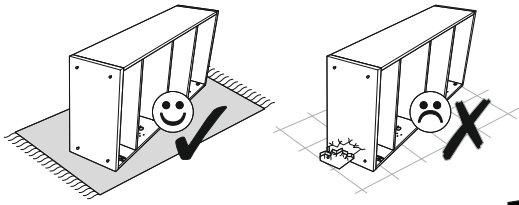
13▶



14▶



15 ▶



16 ▶

