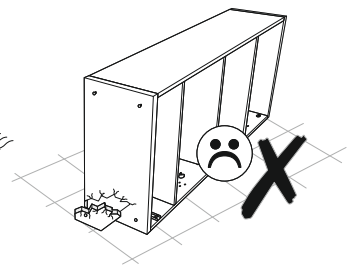
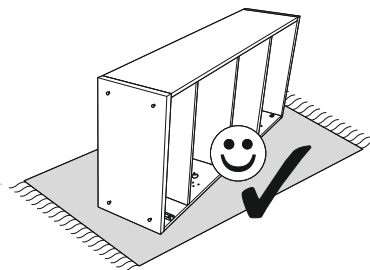
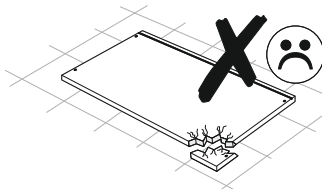
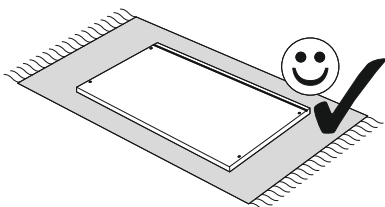
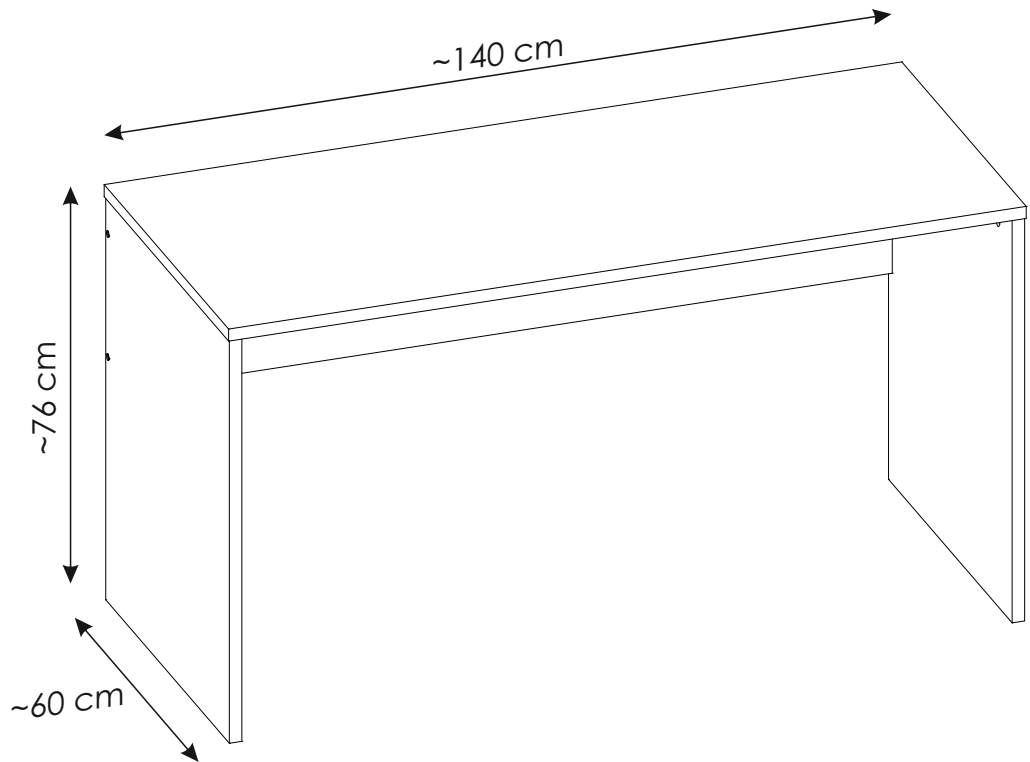
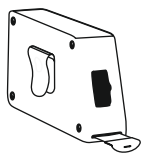
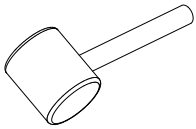
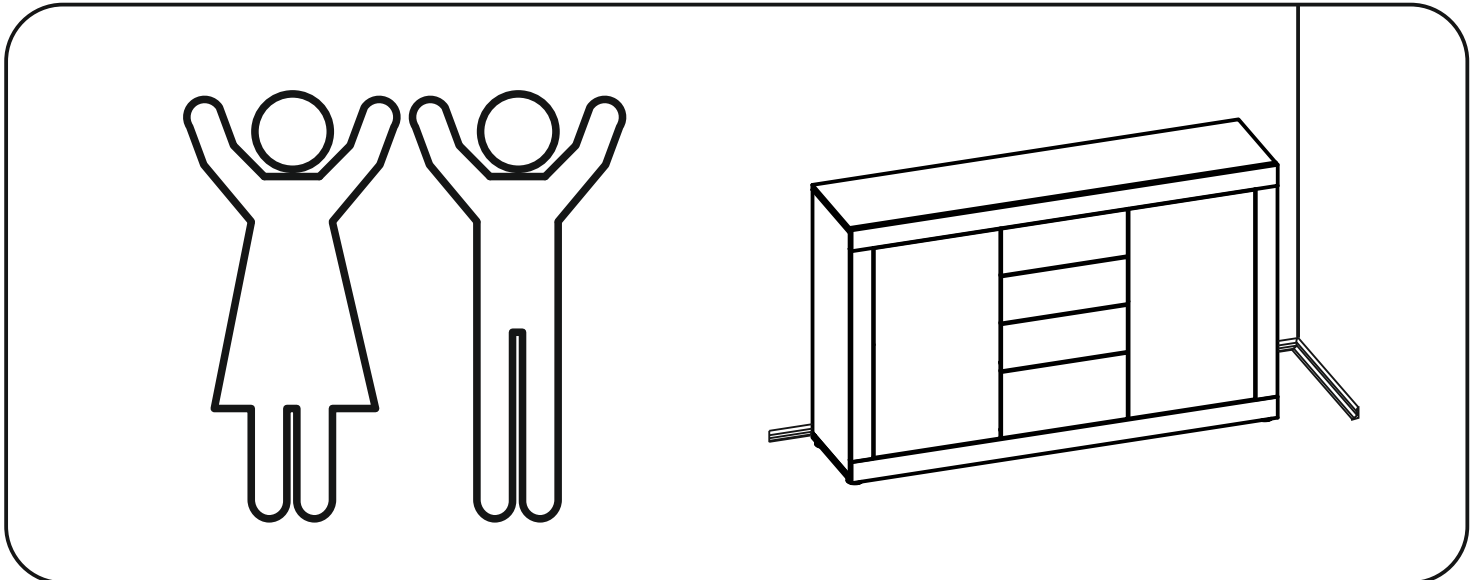
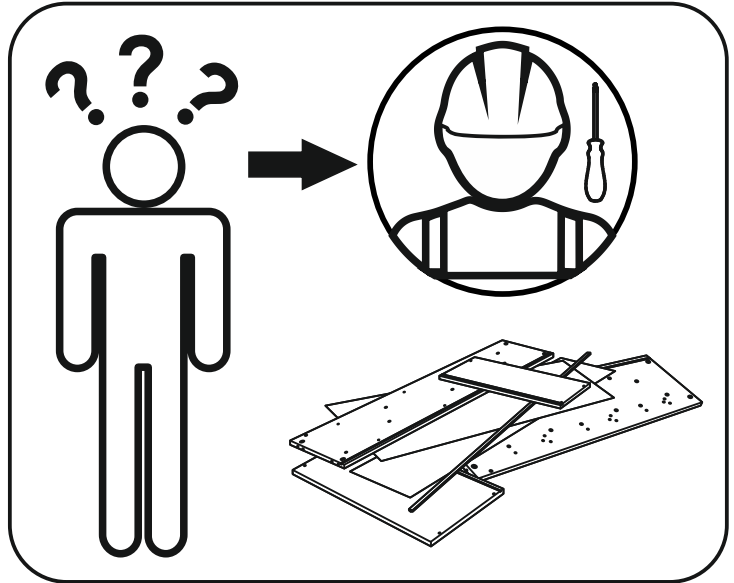
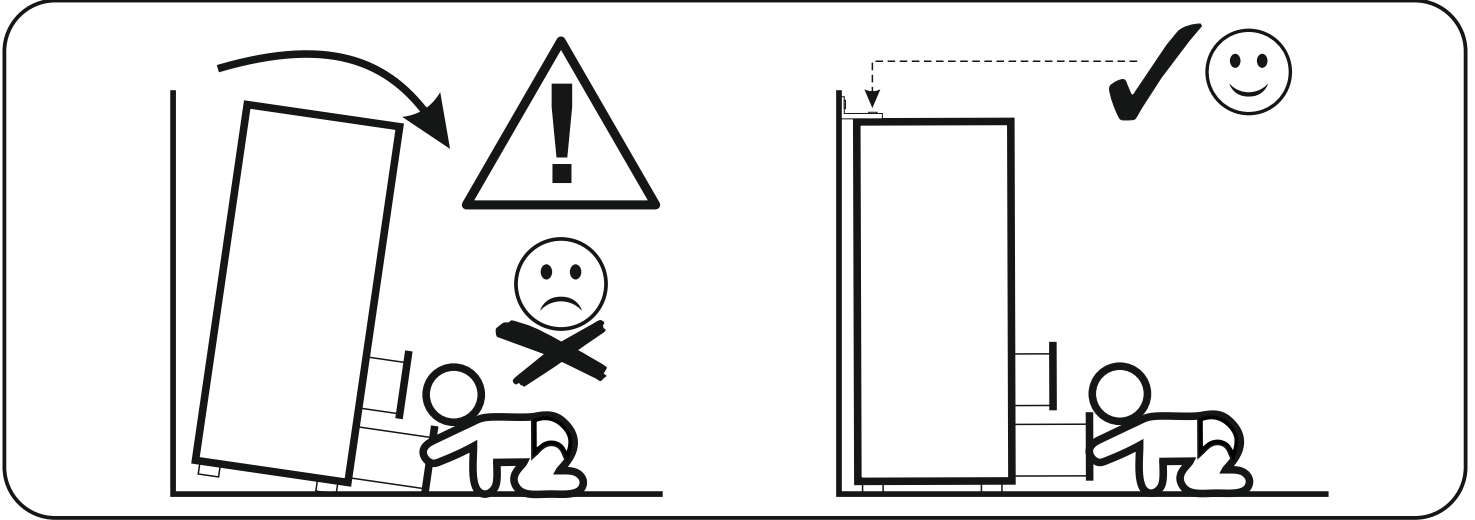
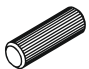


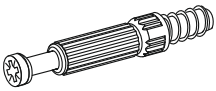
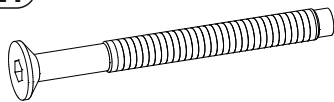
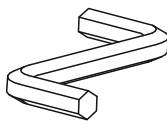

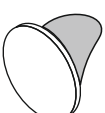



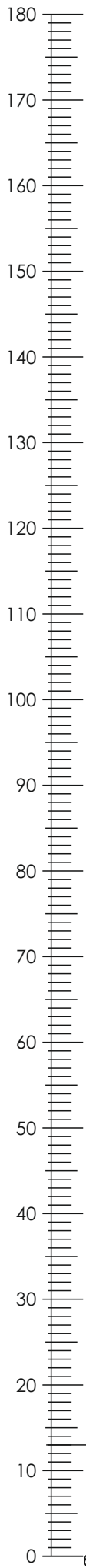
# MRLB01



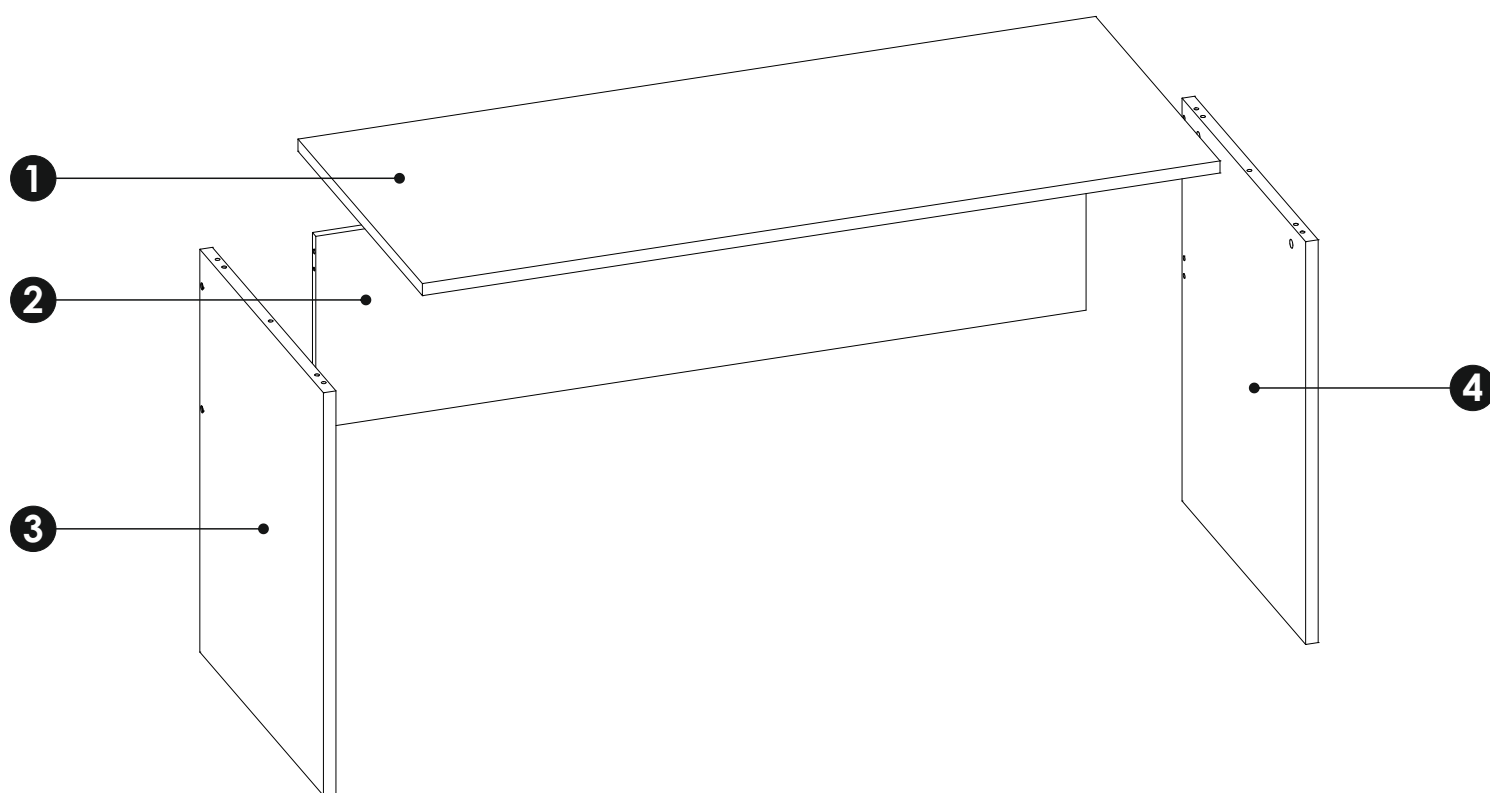
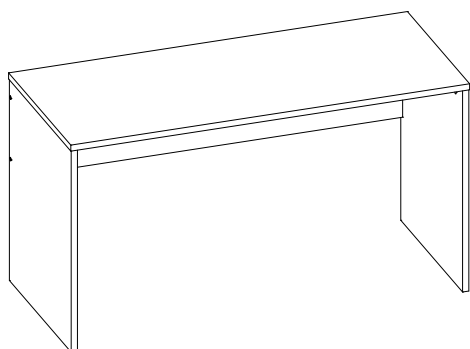


# MRLB01

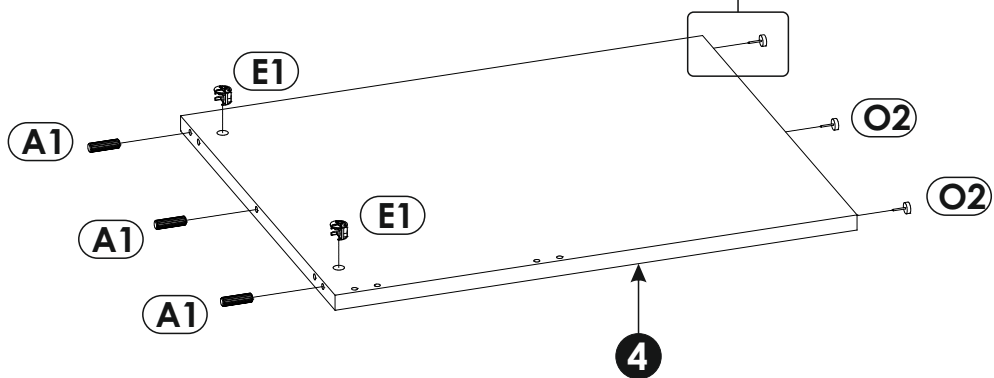
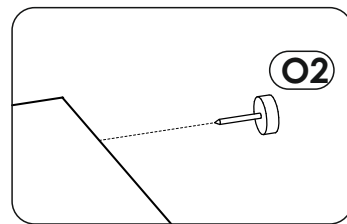
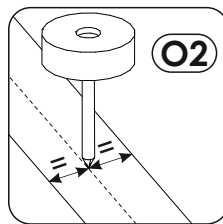
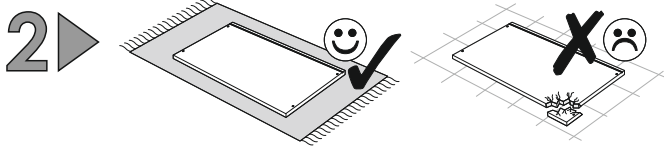
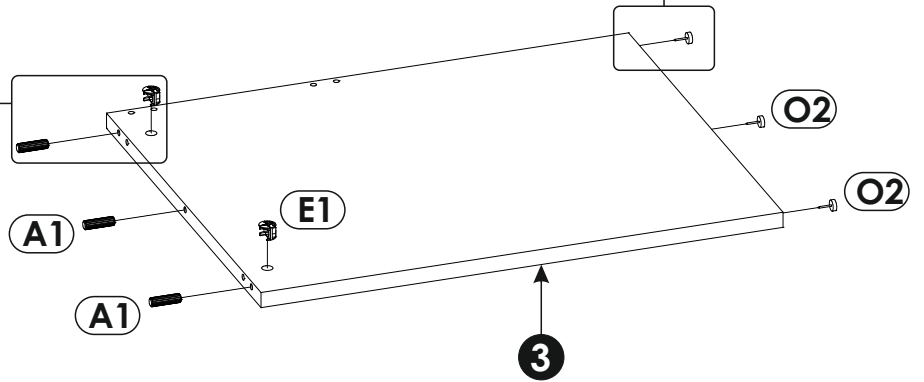
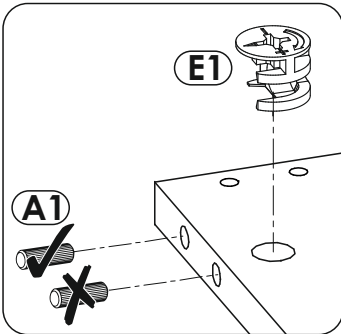
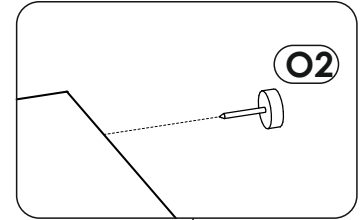
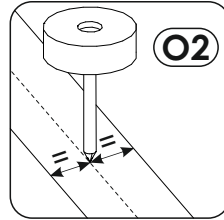
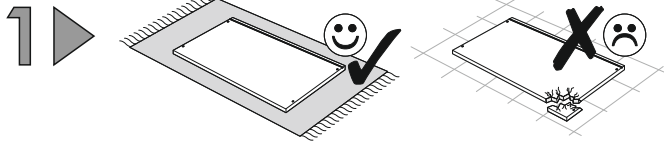
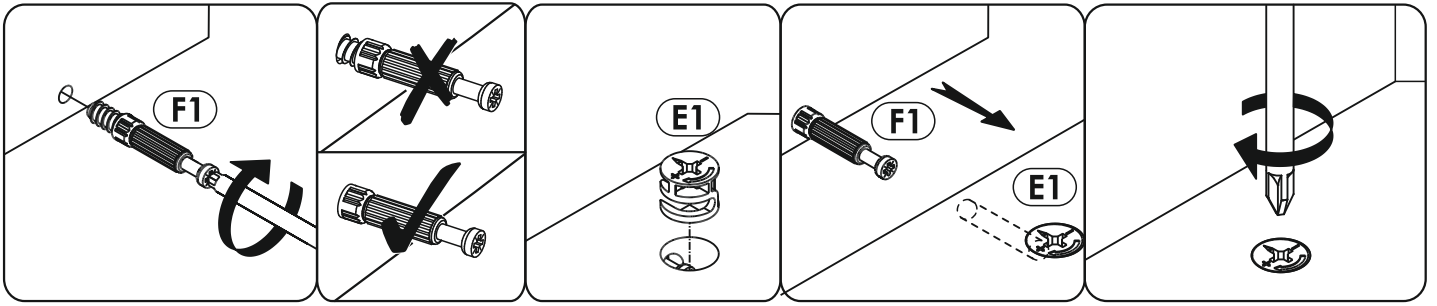
<b>A1</b> 8 x 35 mm x12 	<b>E0</b> Ø16 x6 	<b>E1</b> 15 x 12 mm x6 
<b>F1</b> 6 x 34 mm x6 	<b>K21</b> 6 x 60 mm x4 	<b>M</b> x1 
<b>O2</b> x6 	<b>P17</b> x8 Ø20 	<b>S1</b> x4 

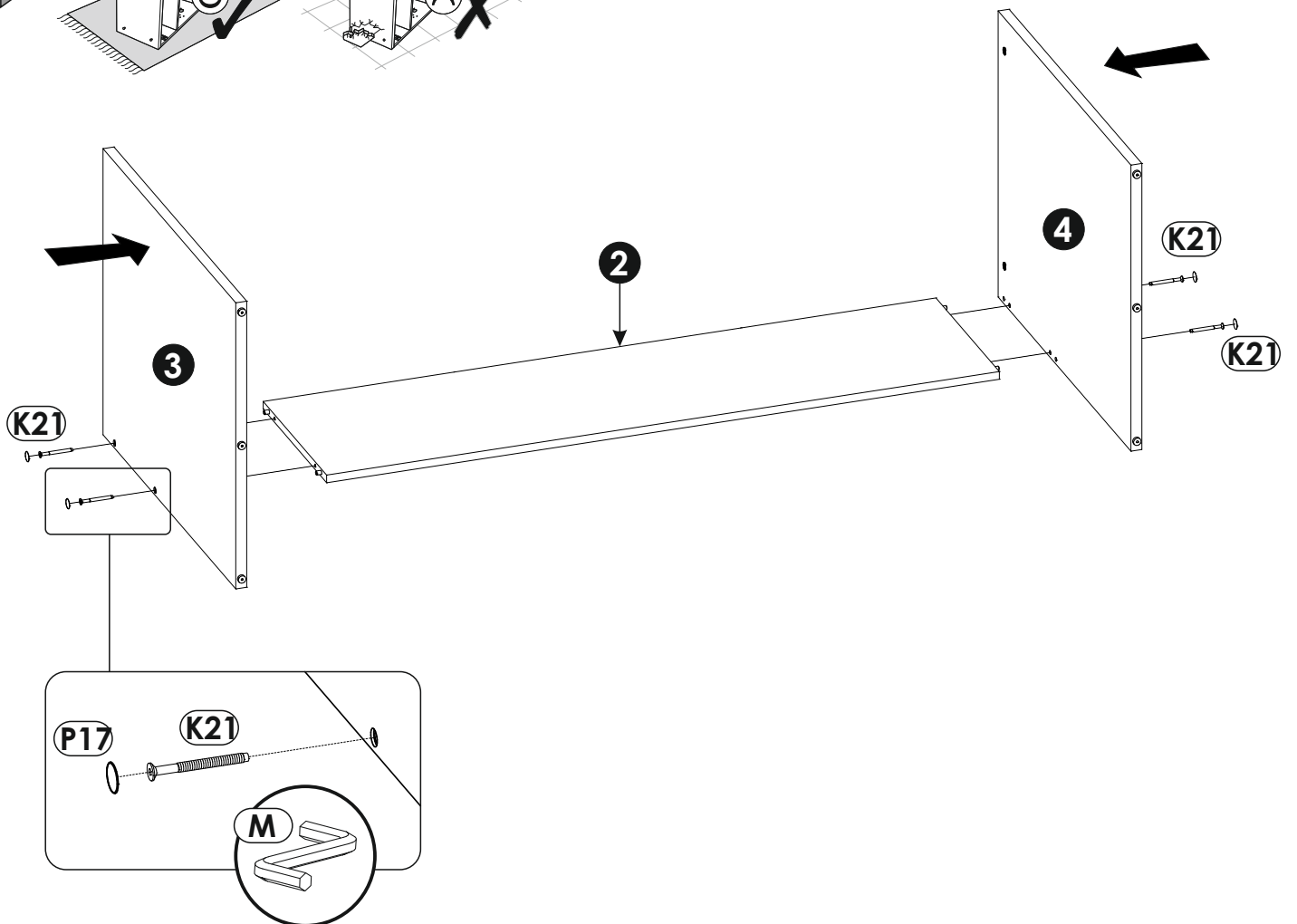
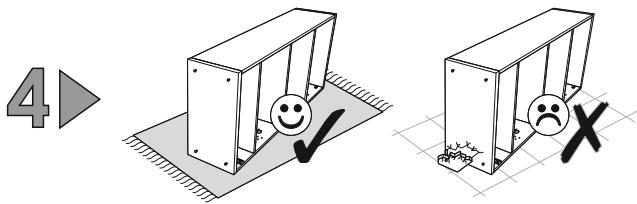
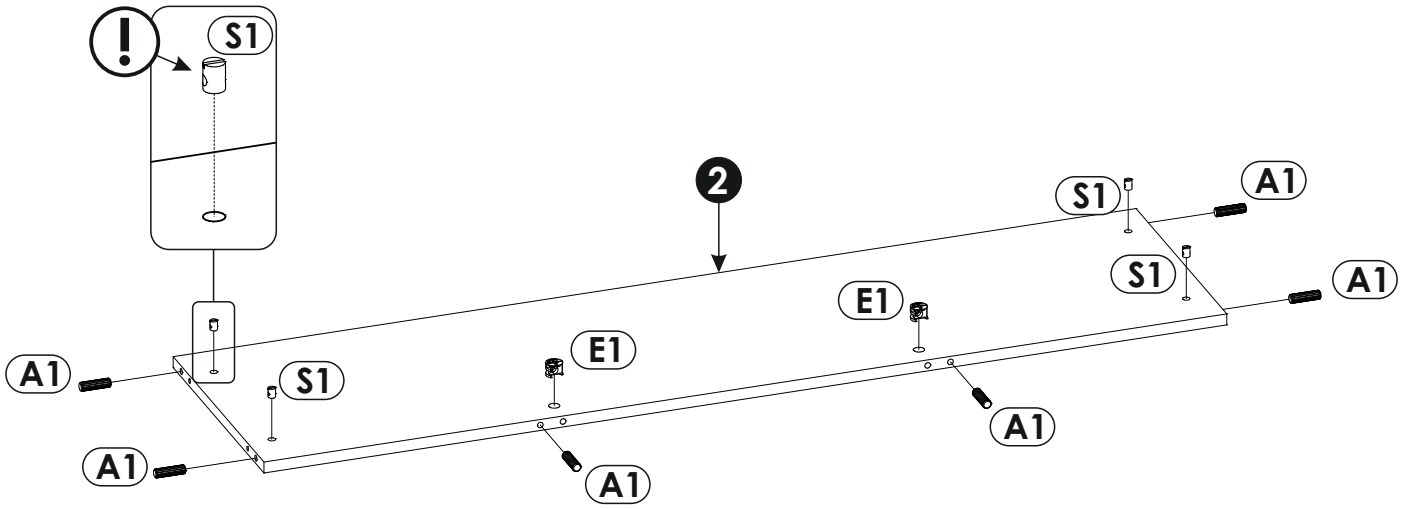
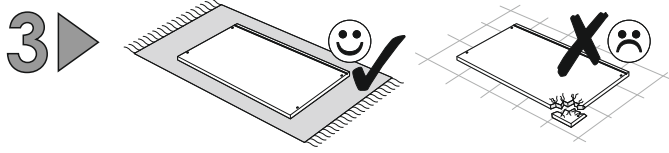


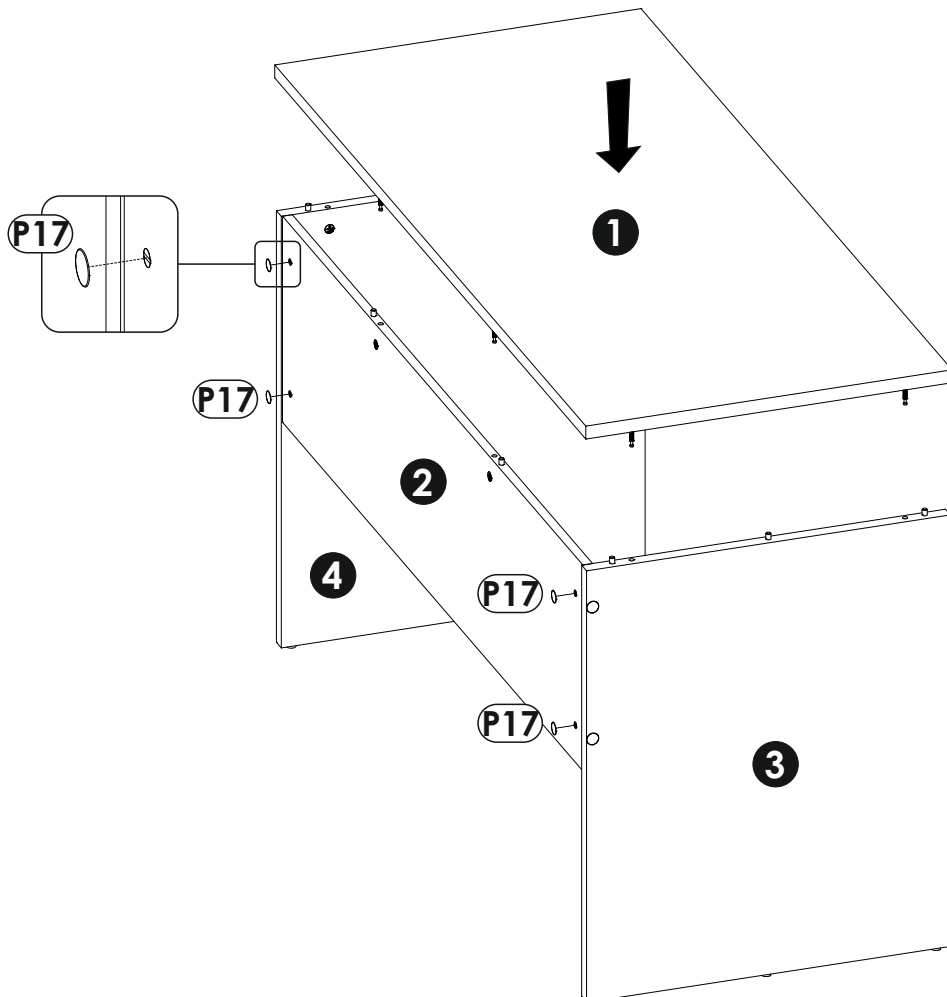
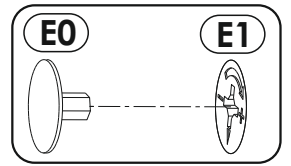
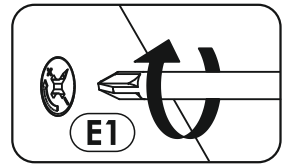
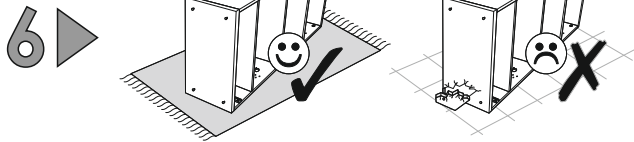
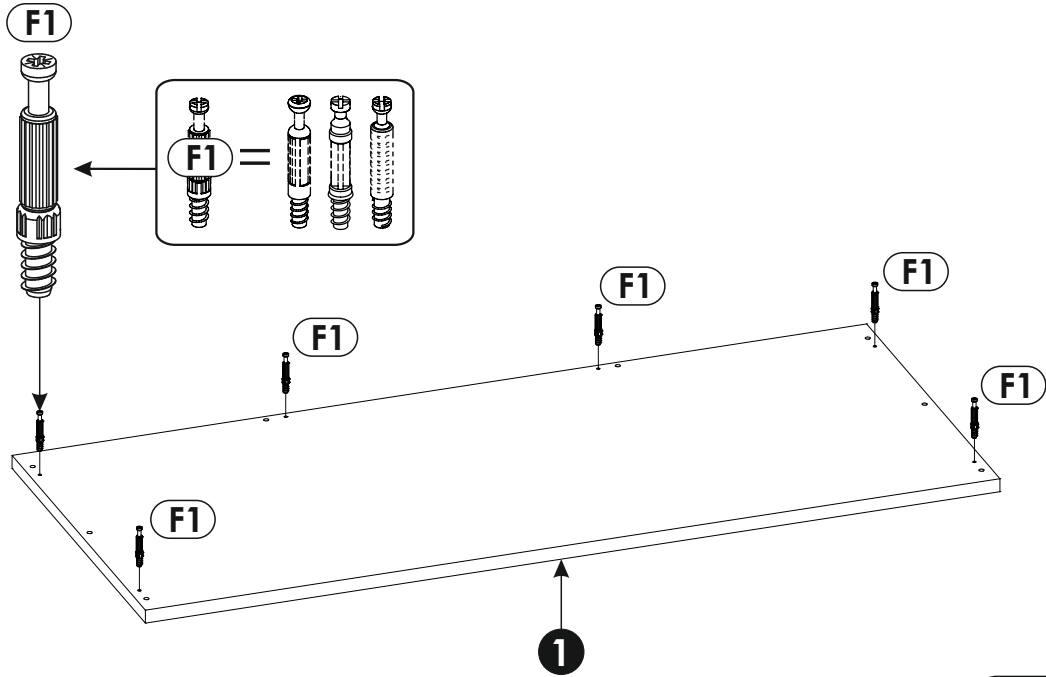
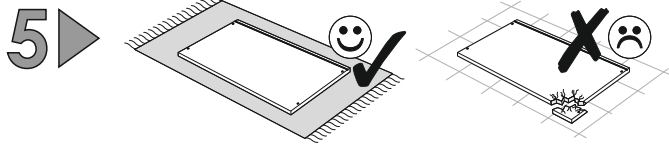
# MRLB01



<b>1</b>	1400	600	22	x1	1/1
<b>2</b>	1352	350	16	x1	1/1
<b>3</b>	733	596	22	x1	1/1
<b>4</b>	733	596	22	x1	1/1







7 ▶

