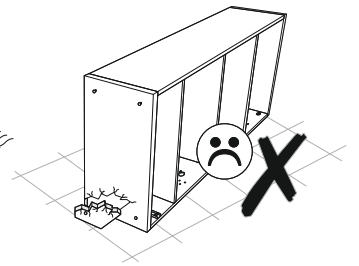
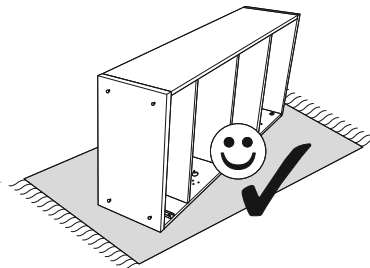
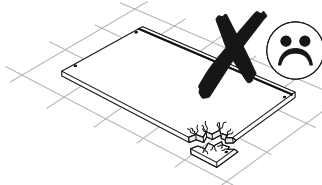
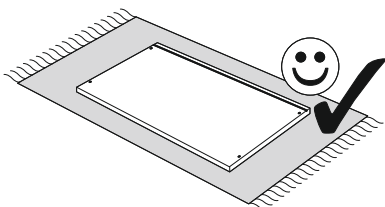
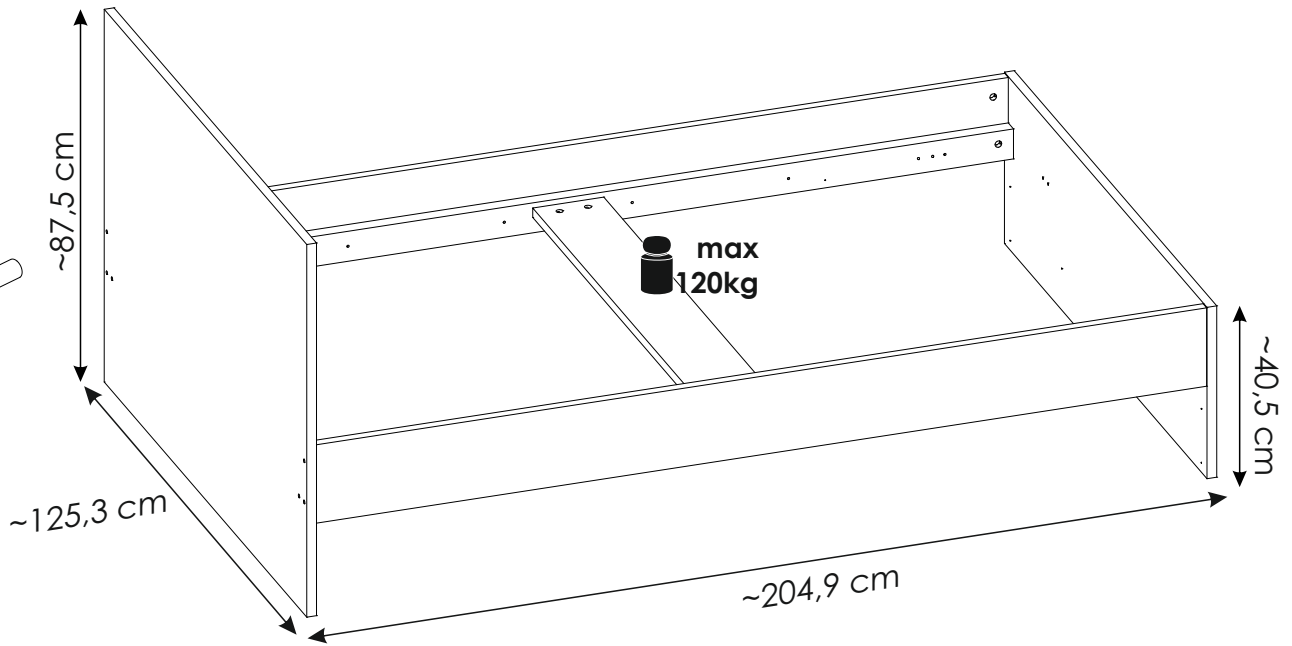
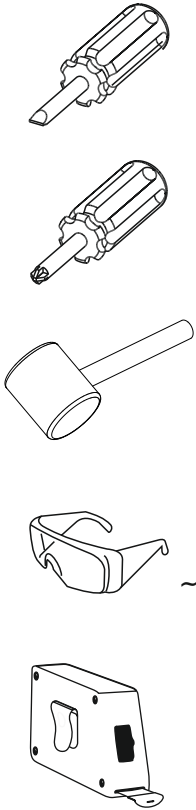
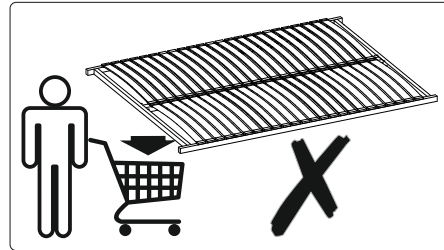
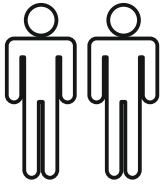
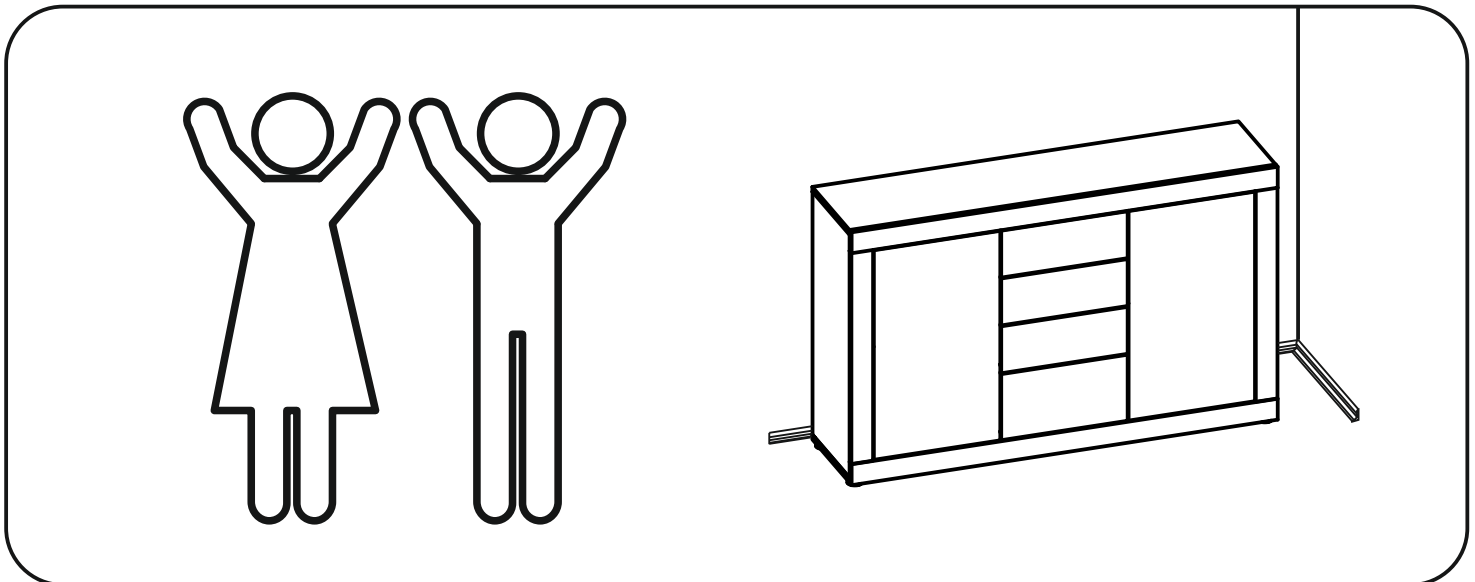
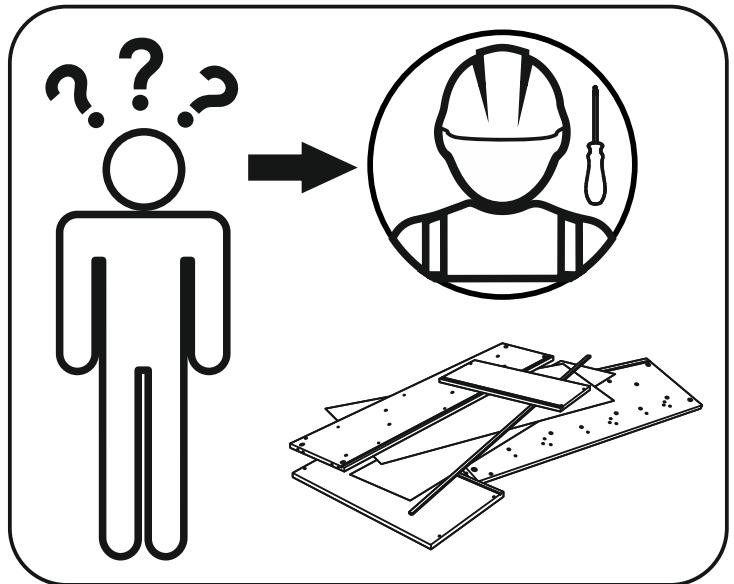
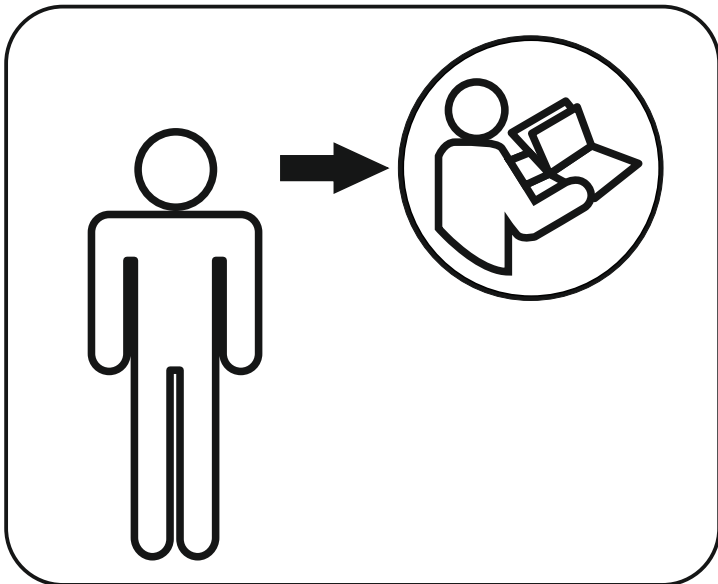
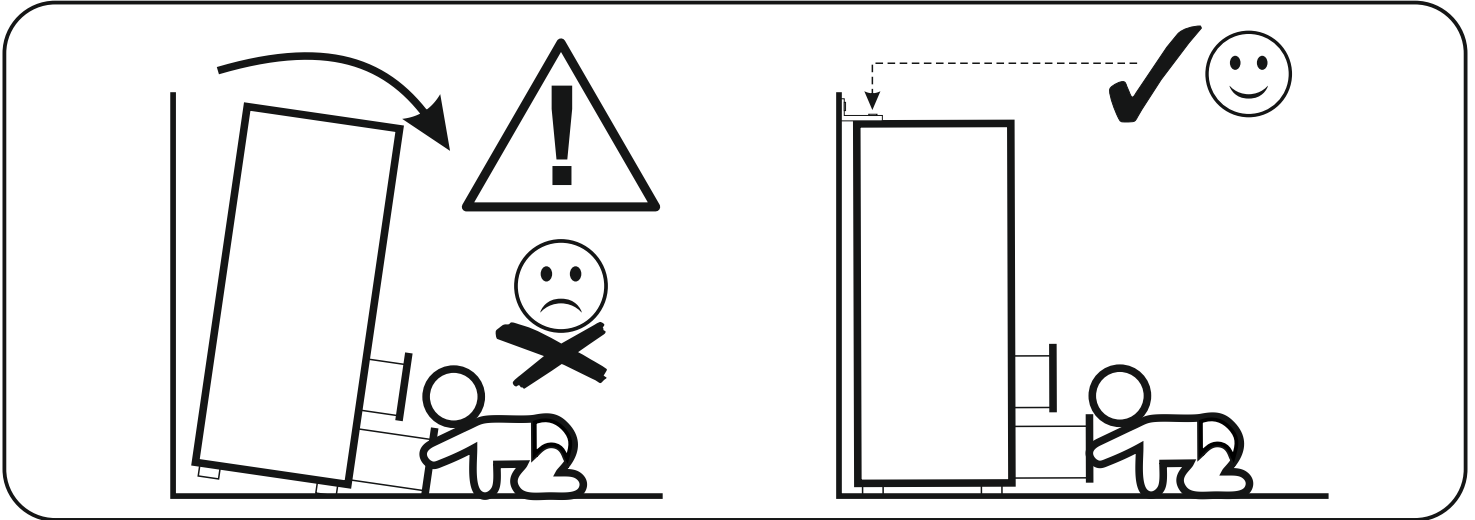
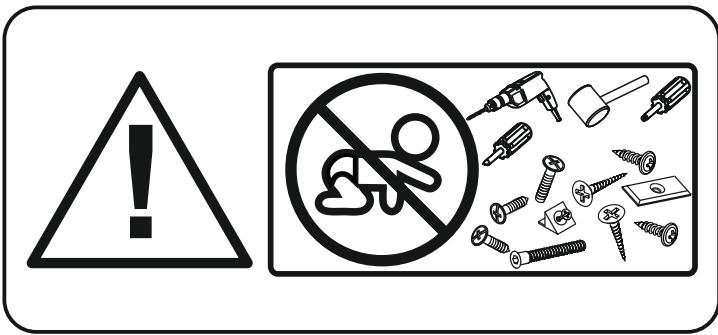
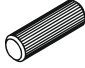
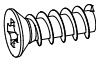

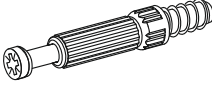


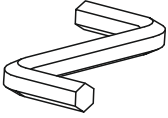
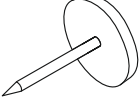



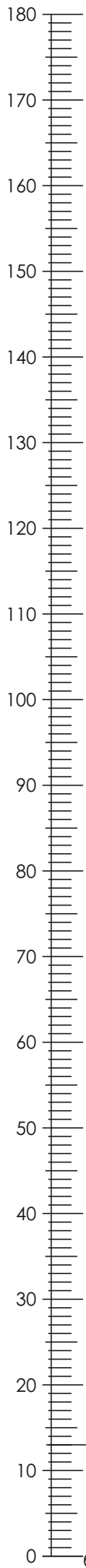
MRLZ02



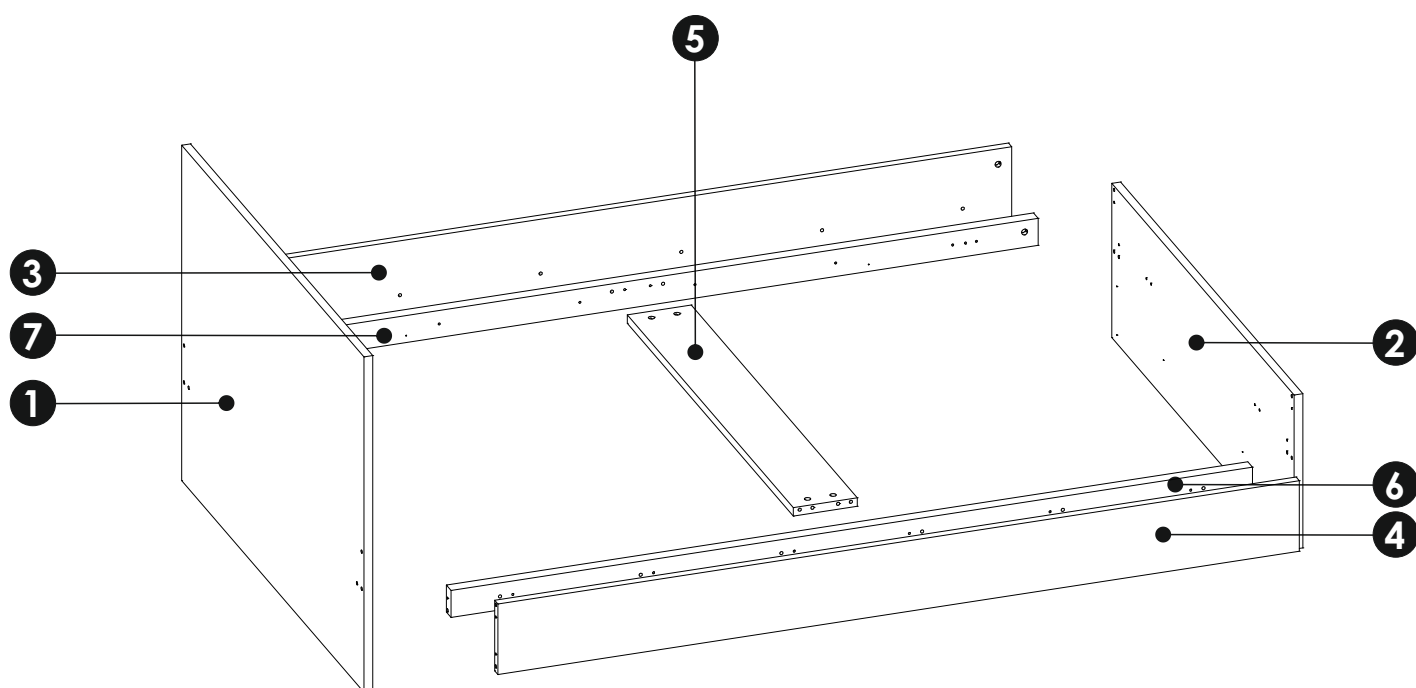
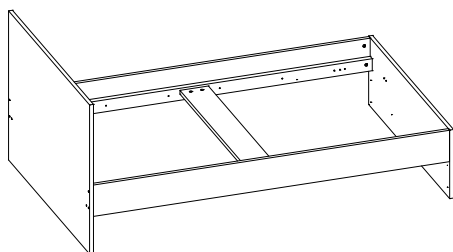


MRLZ02

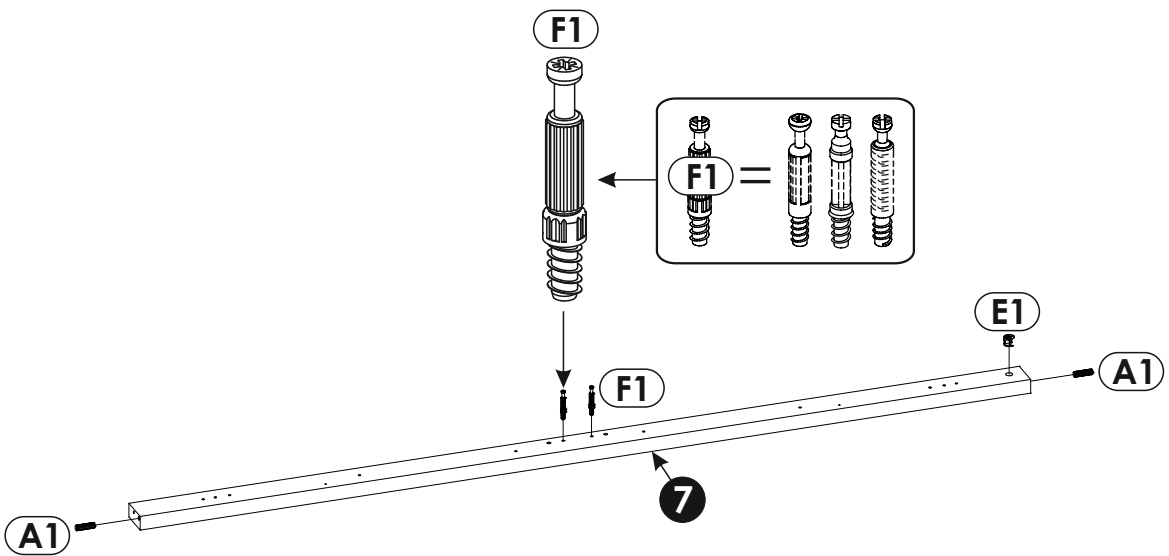
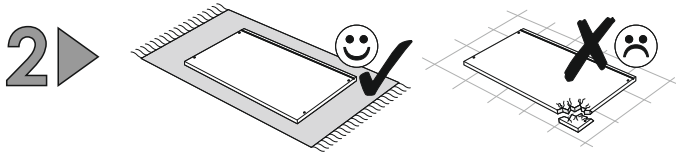
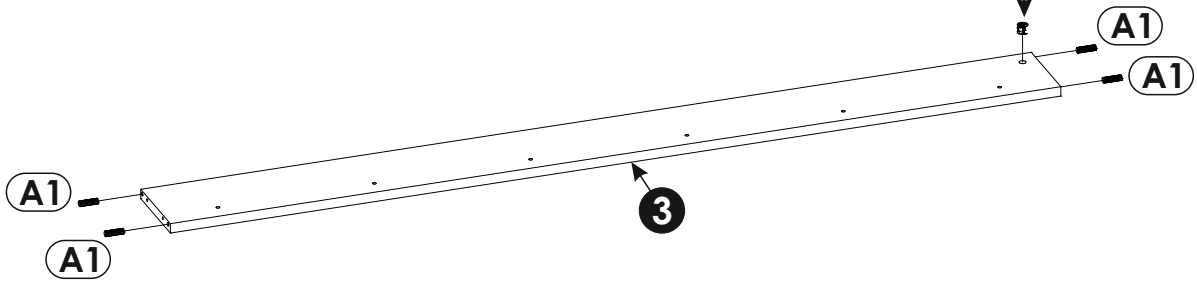
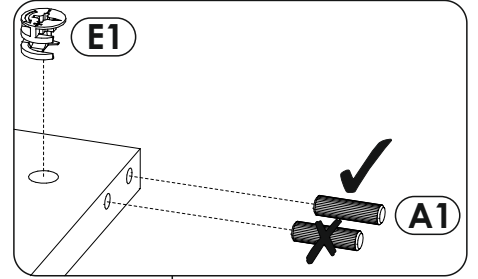
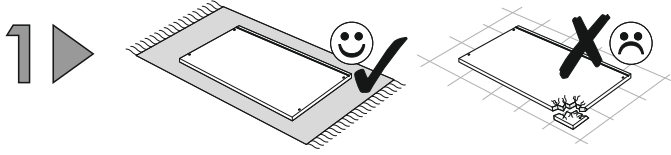
A1 8 x 35 mm x28 	C6 6,3 x 16 mm x16 	E1 15 x 12 mm x8 
F1 6 x 34 mm x8 	G1 7 x 50 mm x6 	I19 4 x 50 mm x12 
M x1 	O2 x6 	W1 x4 

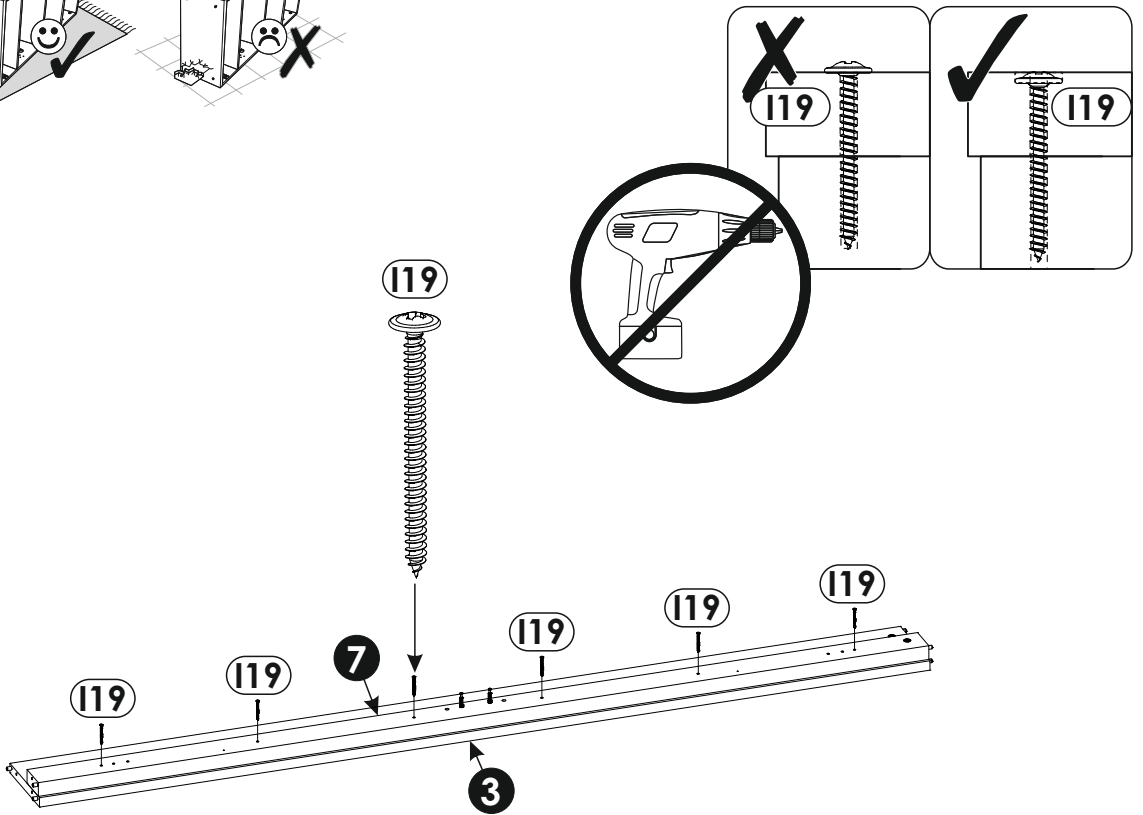
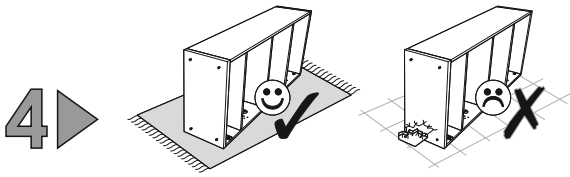
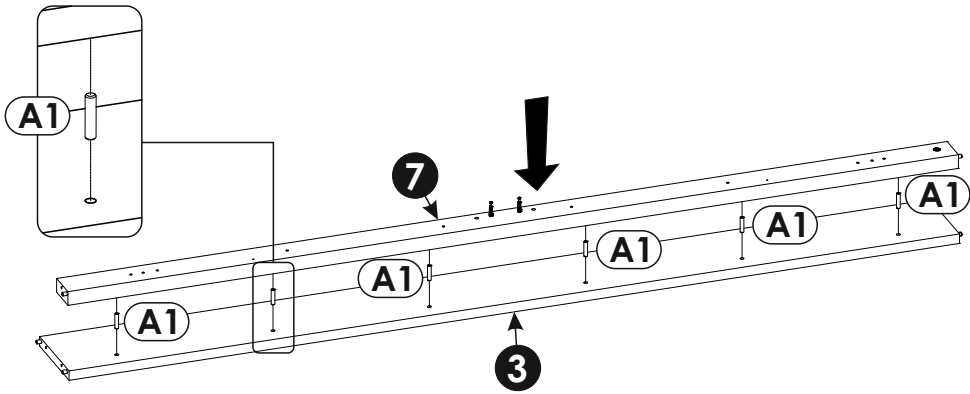
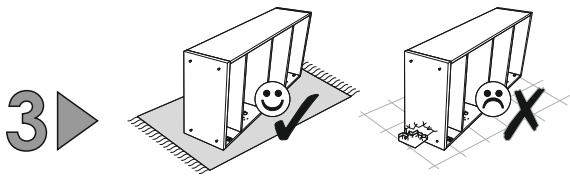


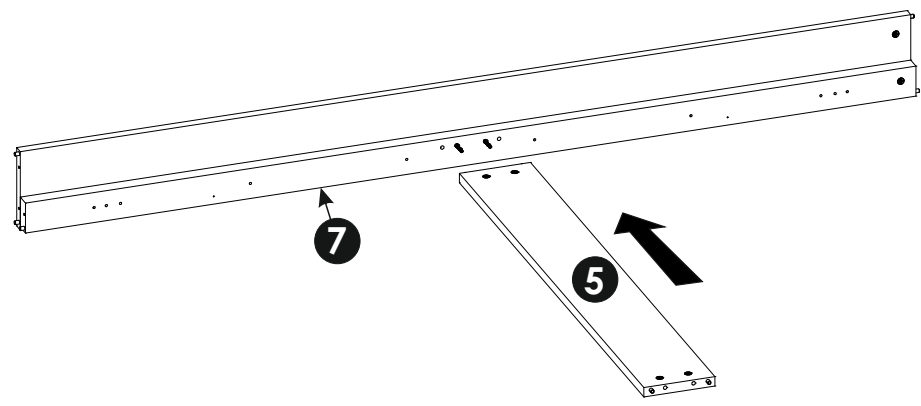
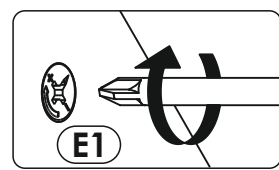
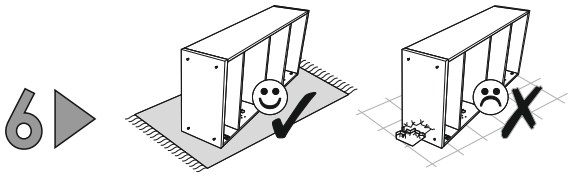
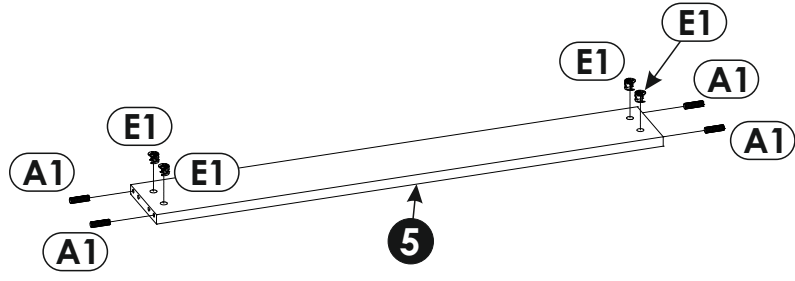
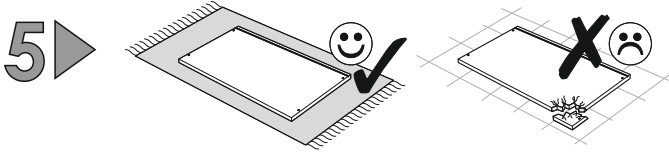
MRLZ02

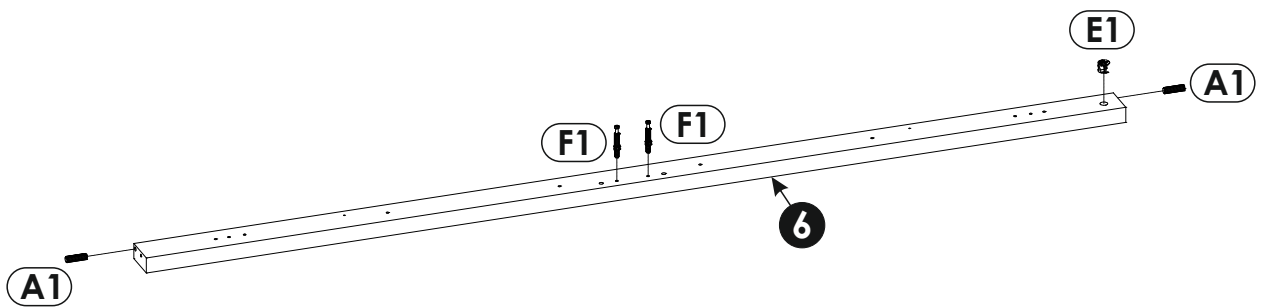
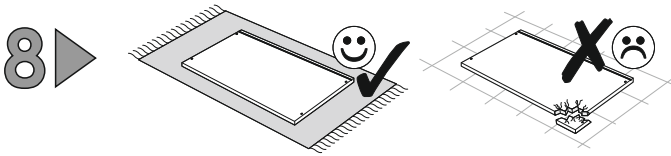
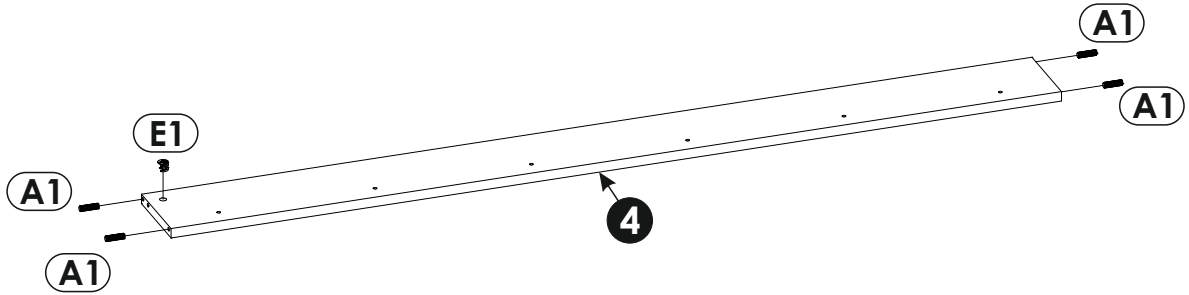
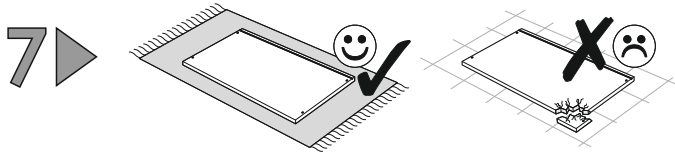


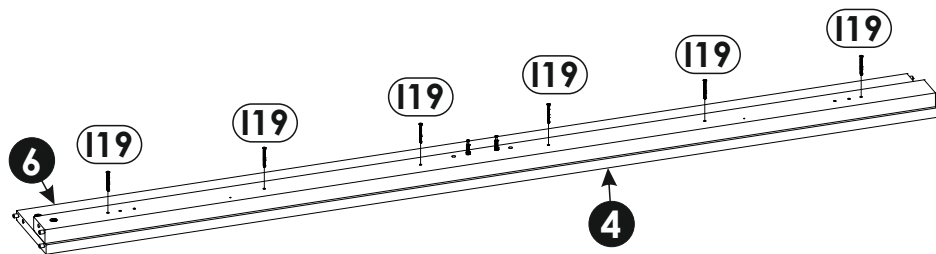
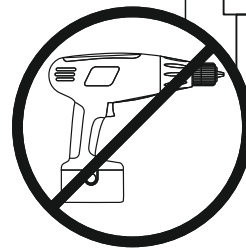
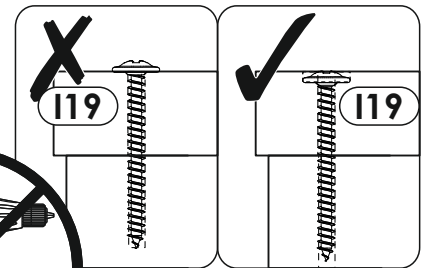
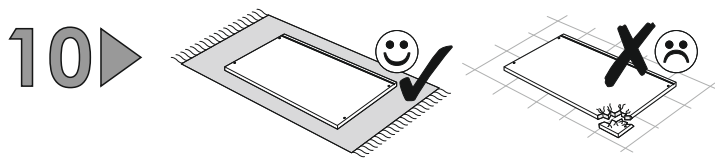
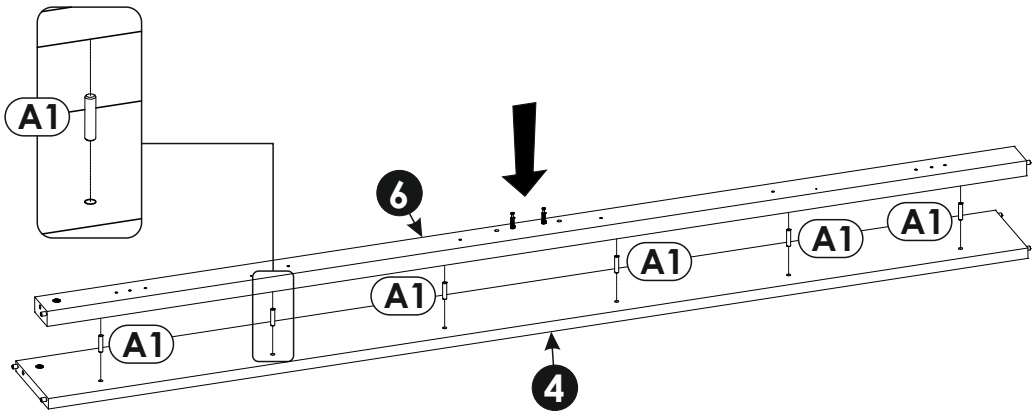
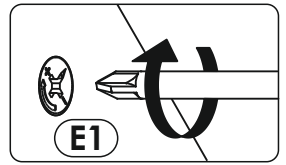
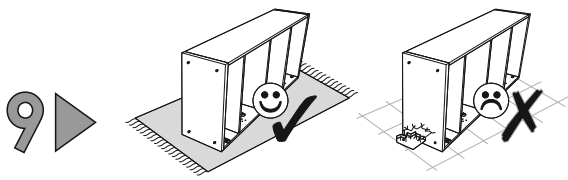
1	1253	870	22	x1	1/2
2	1253	400	22	x1	1/2
3	2005	183	22	x1	2/2
4	2005	183	22	x1	2/2
5	1141	160	22	x1	1/2
6	2005	70	32	x1	2/2
7	2005	70	32	x1	2/2

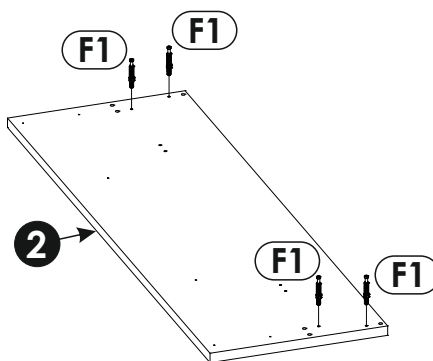
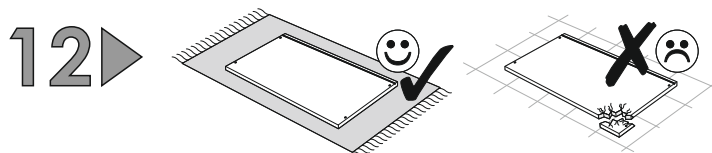
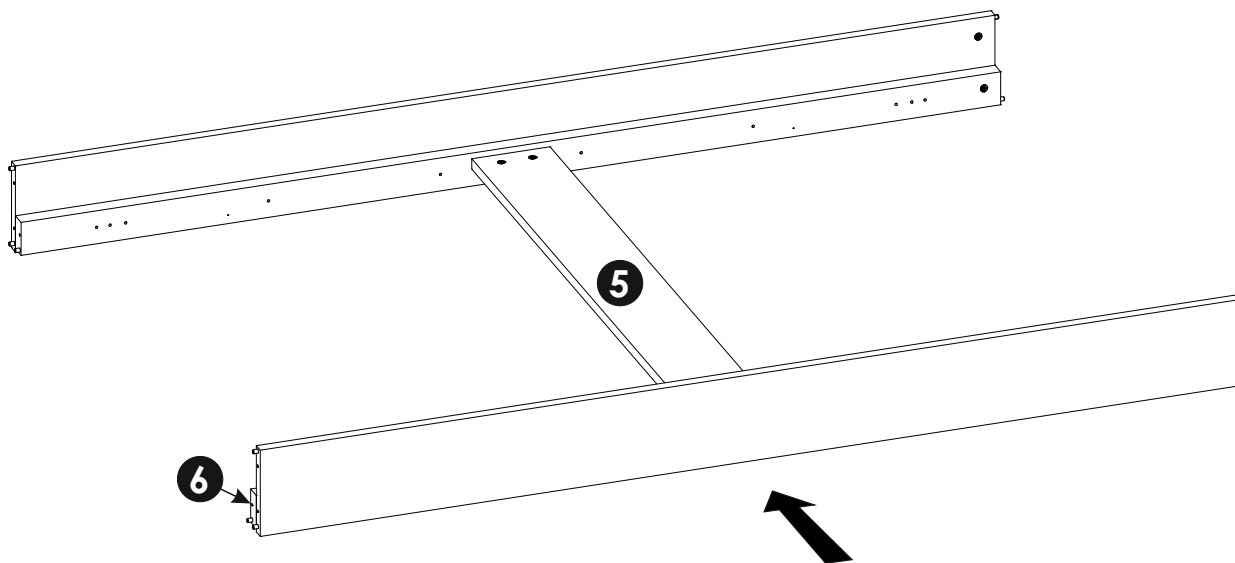
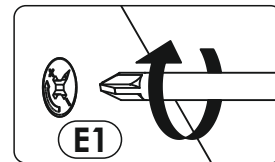
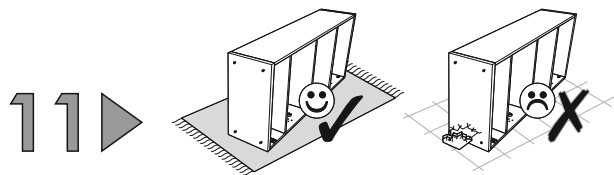




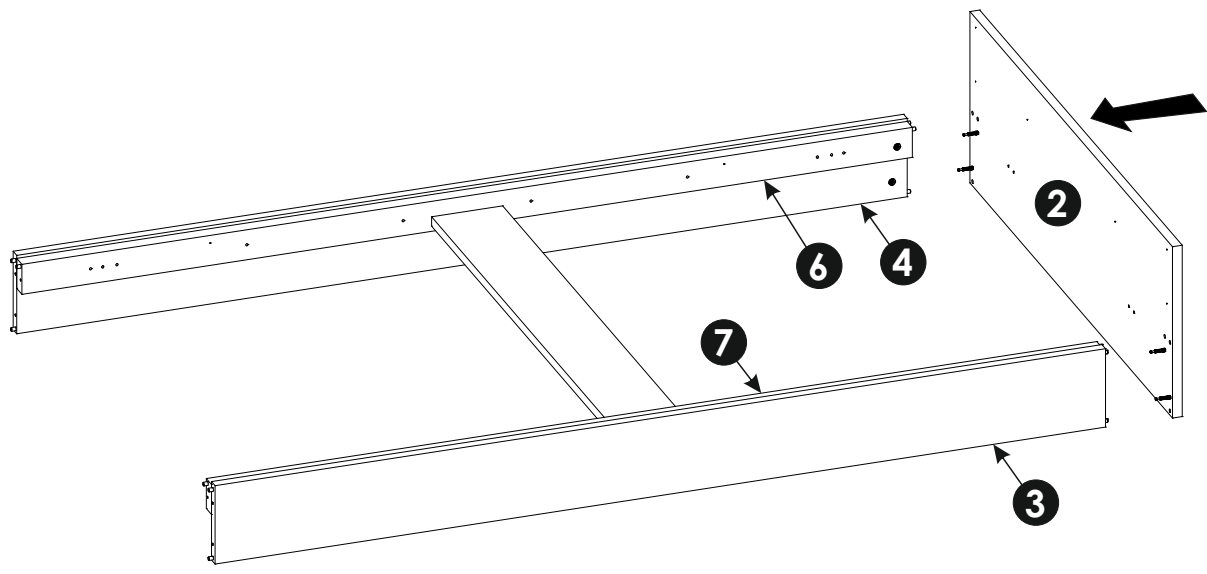
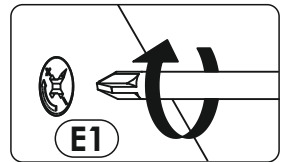
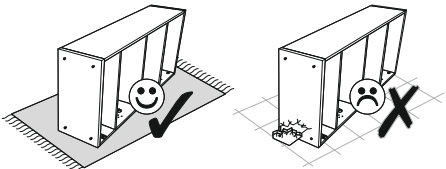




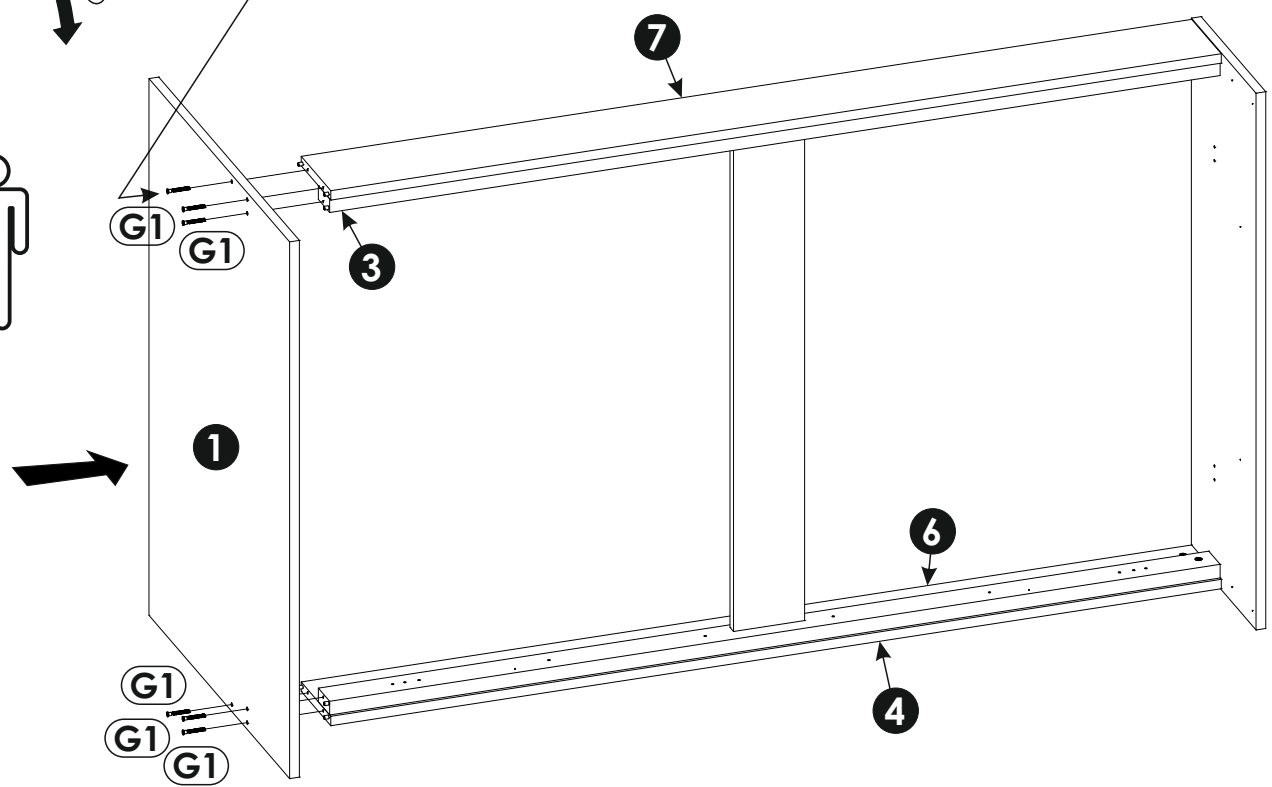
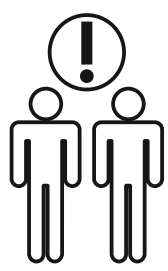
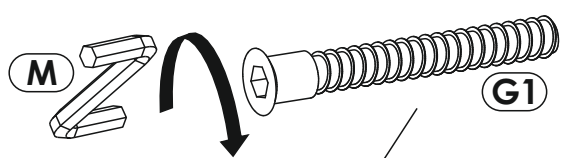
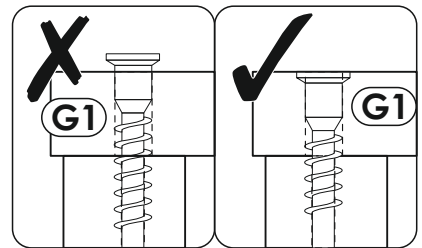
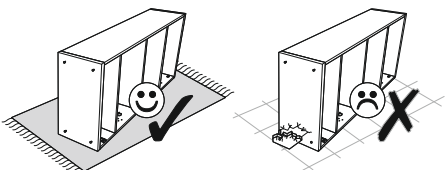




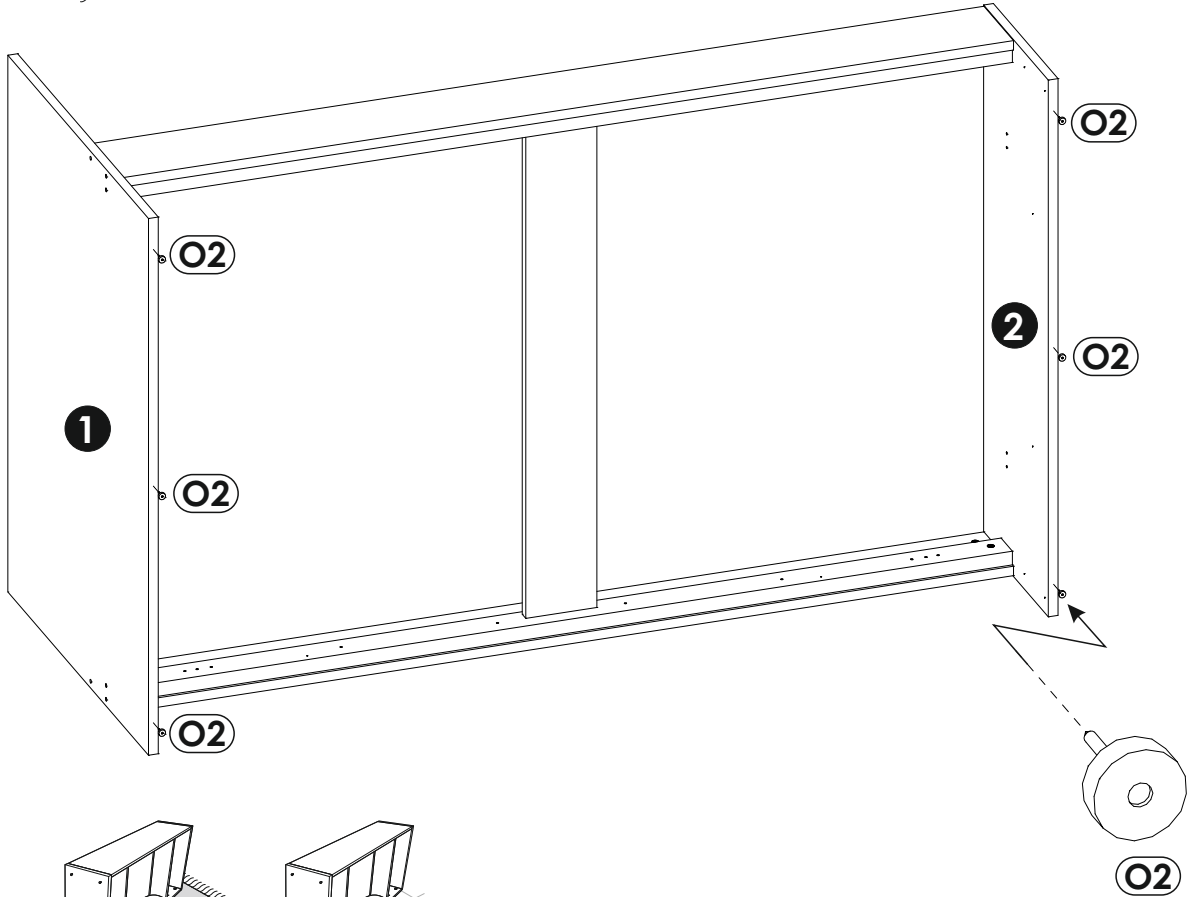
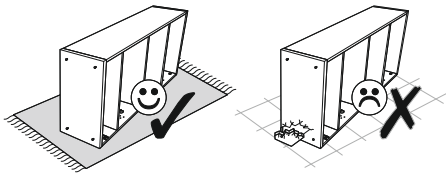
13 ▶



14 ▶



15 ▶



16 ▶

