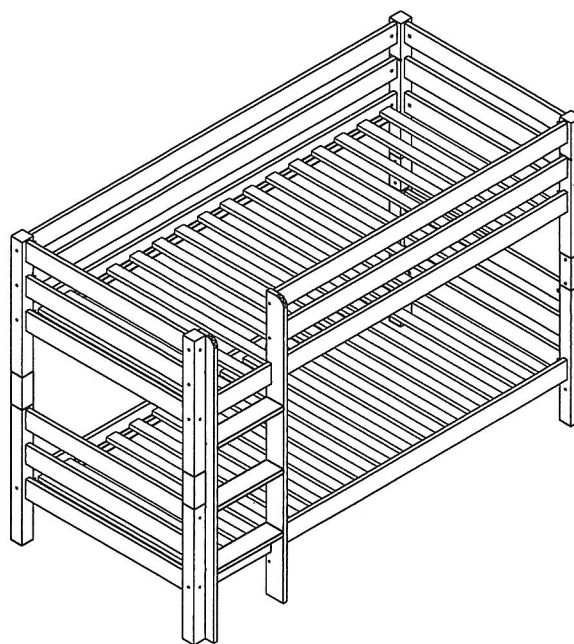
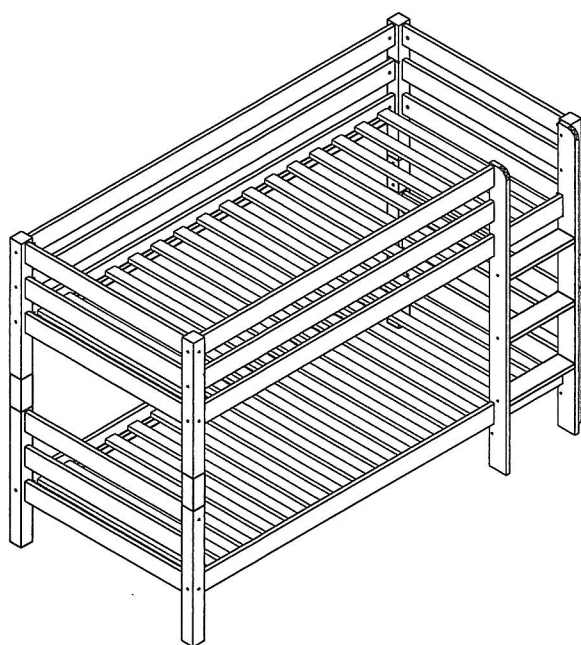
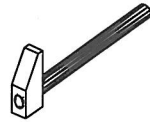
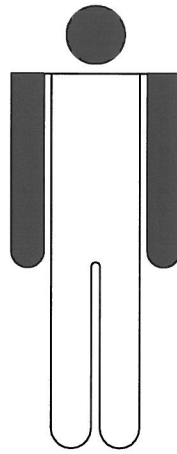
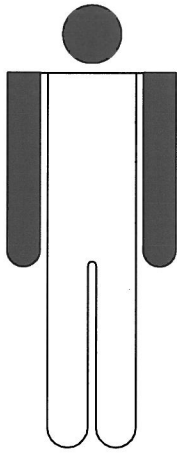
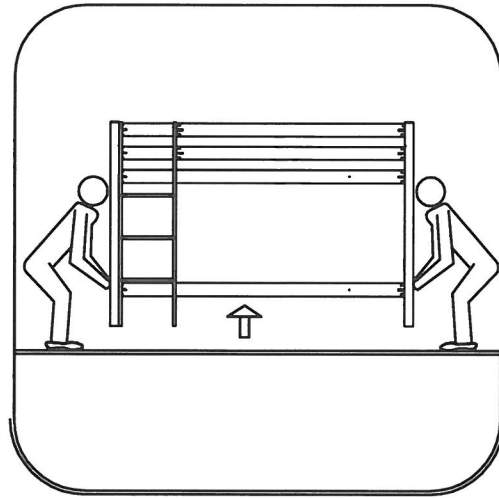
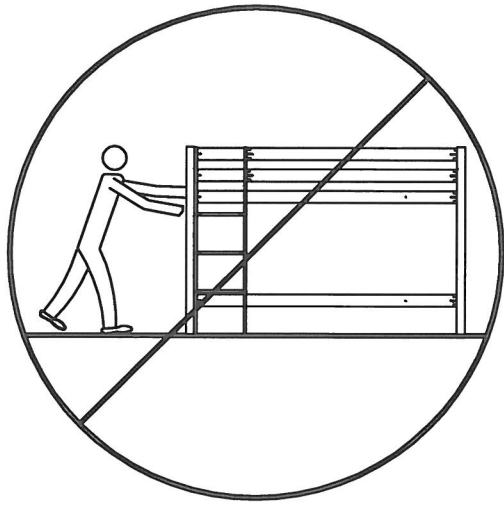


ALPIhome®

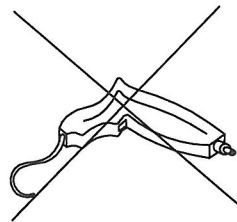
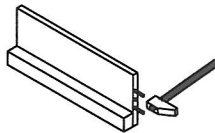
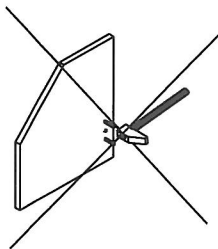
All for home in one place












LENNY PP

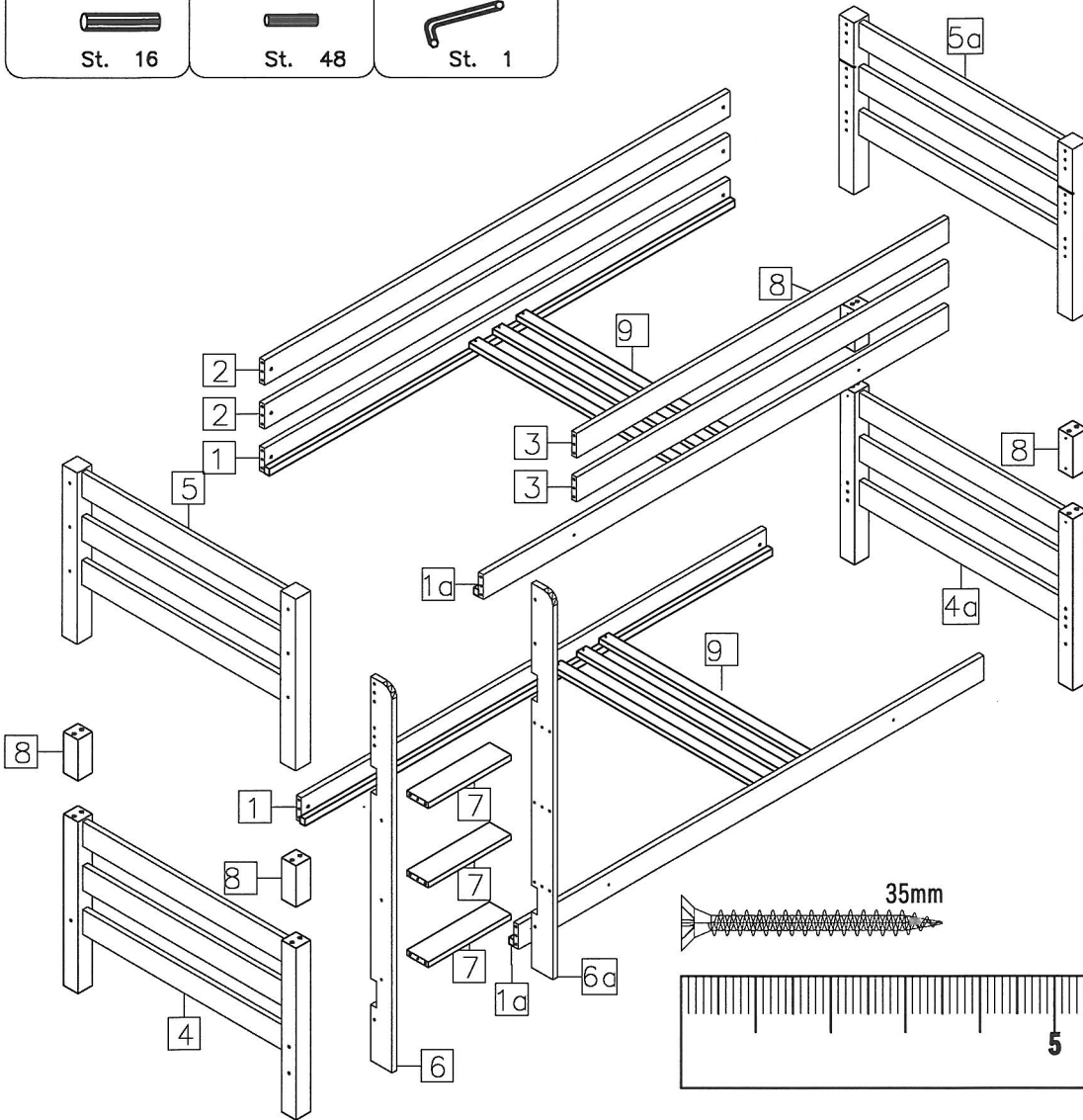




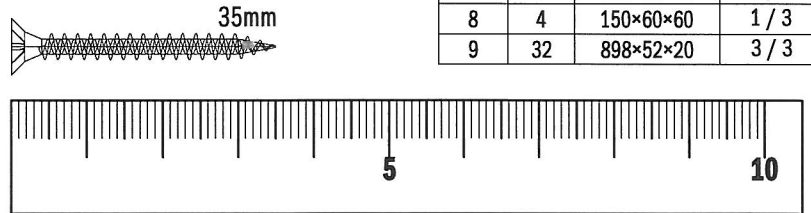
45°



| | | | | | | | | | | | | | | | |
|---|---|---|---|---|---|---|---|---|---|---|---|---|---|---|---|
| A | M6X95 | B | M6X75 | C | M6X60 | D | M6 | E | Ø10X12 | F | Ø3.0X35 | G | M7x50 | H | Ø3.0X30 |
| |  | |  | |  | |  | |  | |  | |  | |  |
| | St. 14 | | St. 3 | | St. 2 | | St. 3 | | St. 16 | | St. 2 | | St. 6 | | St. 80 |
| I | Ø12x60 | K | Ø8x32 | L | inbus 4mm | | | | | | | | | | |
| |  | |  | |  | | | | | | | | | | |
| | St. 16 | | St. 48 | | St. 1 | | | | | | | | | | |



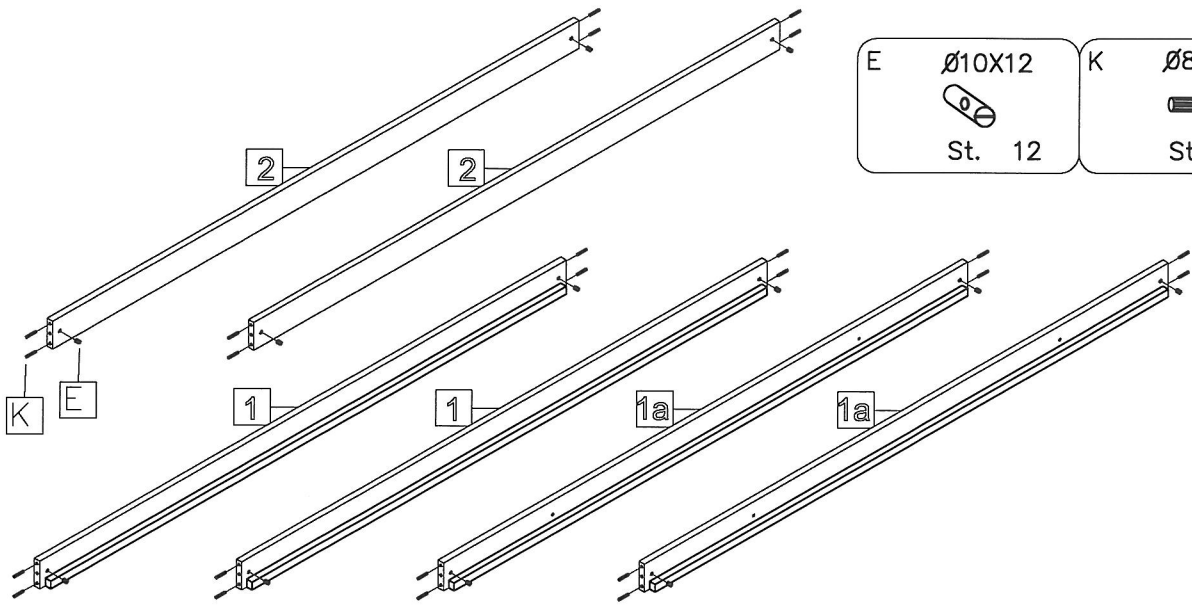
| Broj | Kom. | H x B x T (mm) | Paket |
|------|------|----------------|-------|
| 1 | 2 | 1960×90×20 | 2 / 3 |
| 1a | 2 | 1960×90×20 | 2 / 3 |
| 2 | 2 | 1960×90×20 | 2 / 3 |
| 3 | 2 | 1570×90×20 | 2 / 3 |
| 4 | 1 | 980×625×60 | 1 / 3 |
| 4a | 1 | 980×625×60 | 1 / 3 |
| 5 | 1 | 980×625×60 | 1 / 3 |
| 5a | 1 | 980×625×60 | 1 / 3 |
| 6 | 1 | 1400×90×20 | 2 / 3 |
| 6a | 1 | 1400×90×20 | 2 / 3 |
| 7 | 3 | 350×90×20 | 2 / 3 |
| 8 | 4 | 150×60×60 | 1 / 3 |
| 9 | 32 | 898×52×20 | 3 / 3 |



1

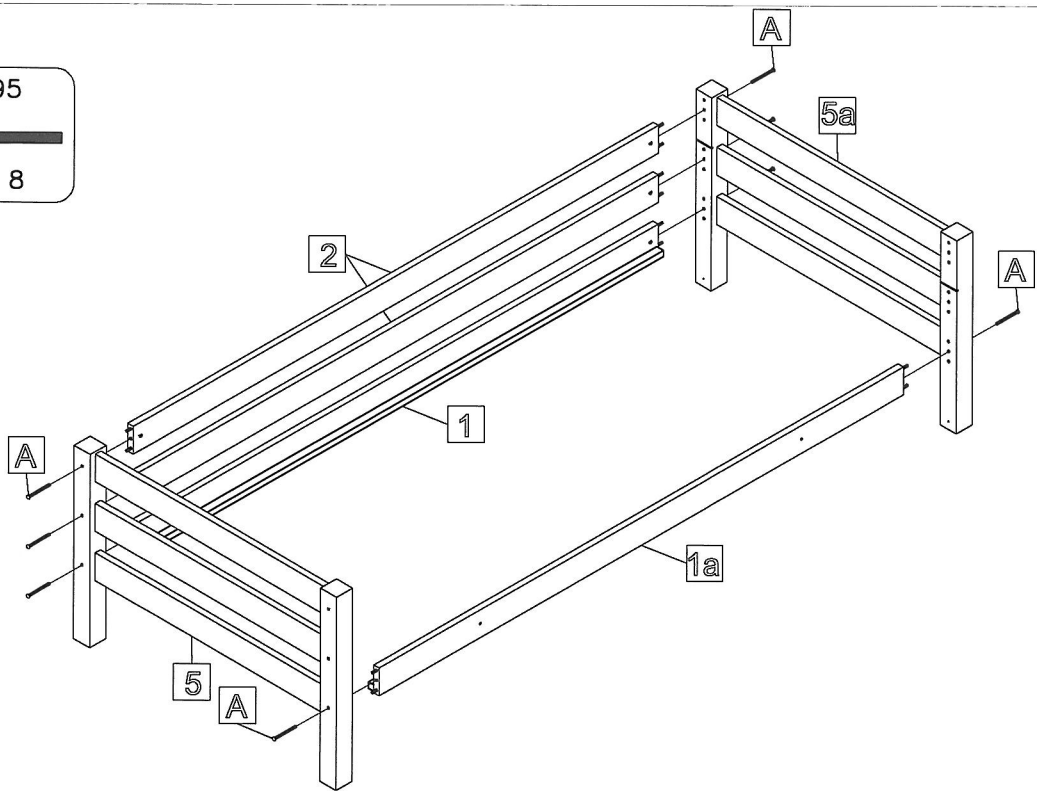
E $\varnothing 10 \times 12$
St. 12

K $\varnothing 8 \times 32$
St. 24



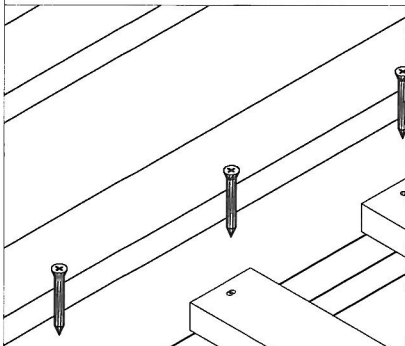
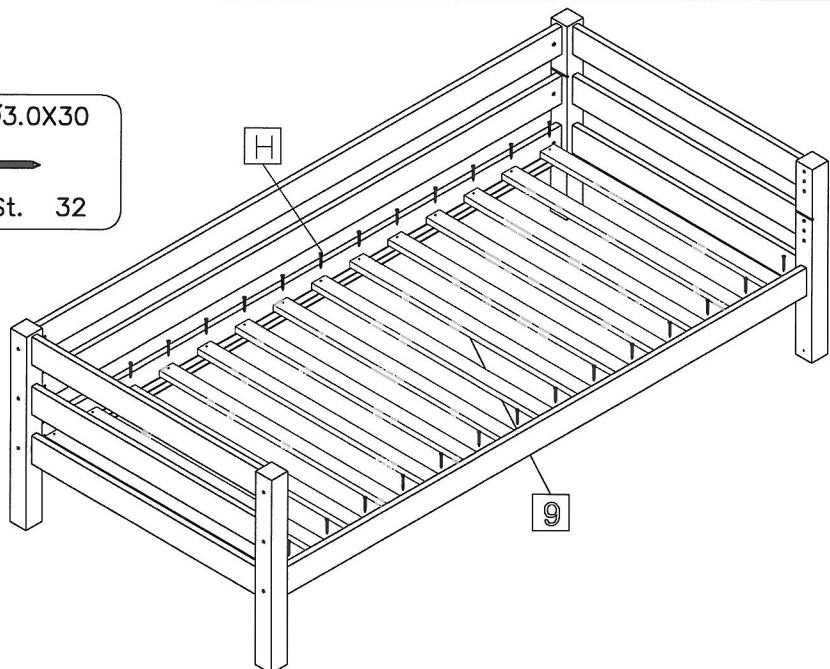
2

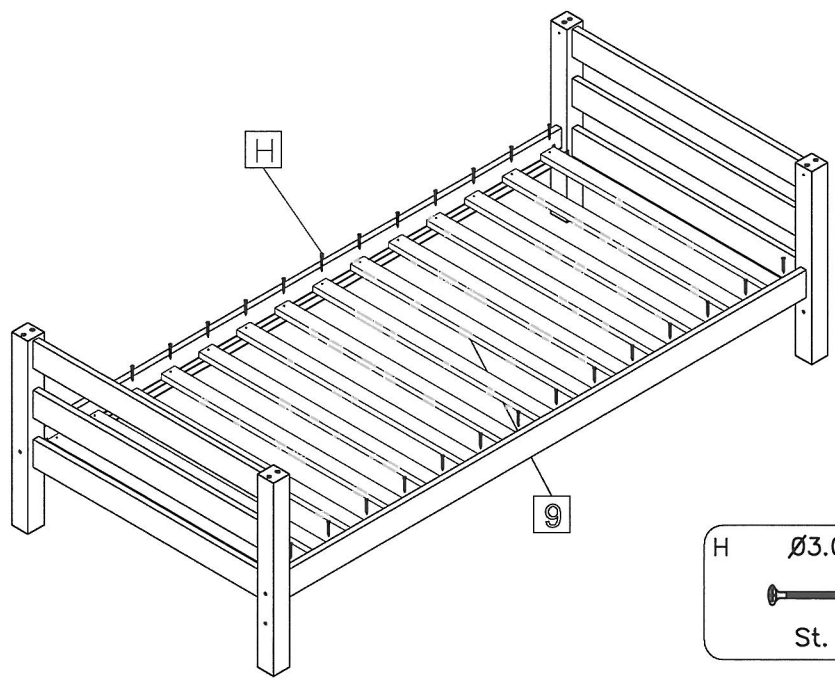
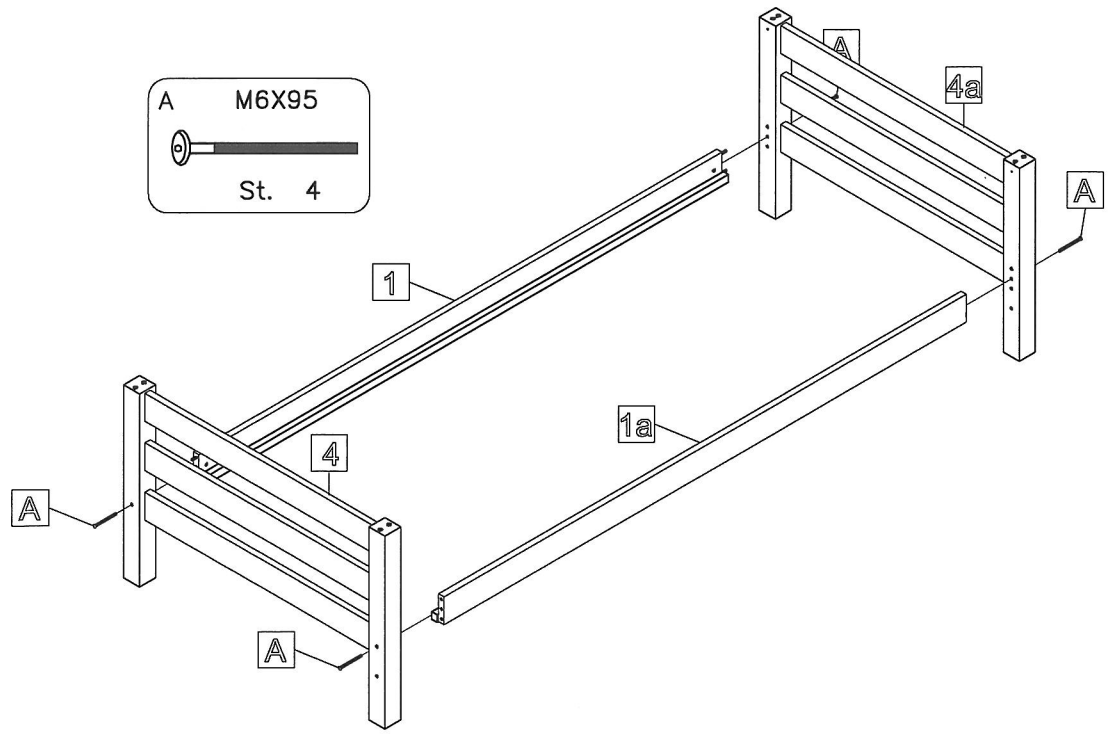
A M6X95
St. 8



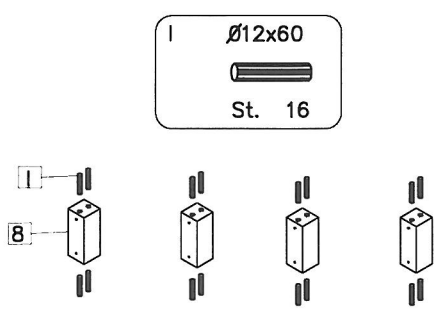
3

H $\varnothing 3.0 \times 30$
St. 32

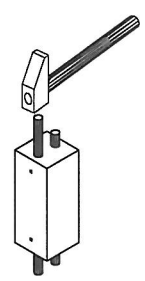


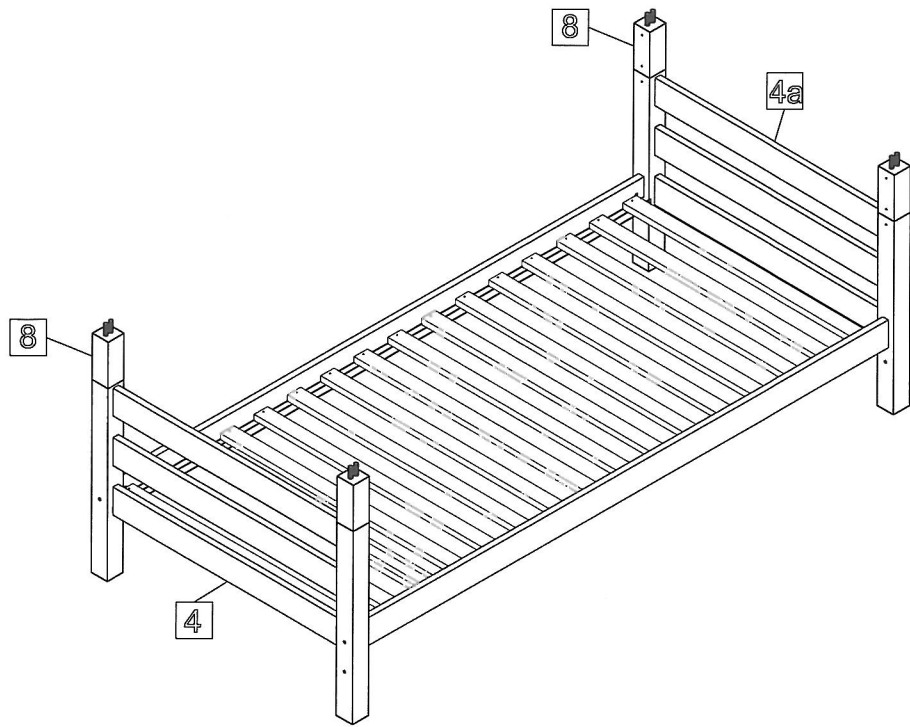



H Ø3.0X30
St. 32

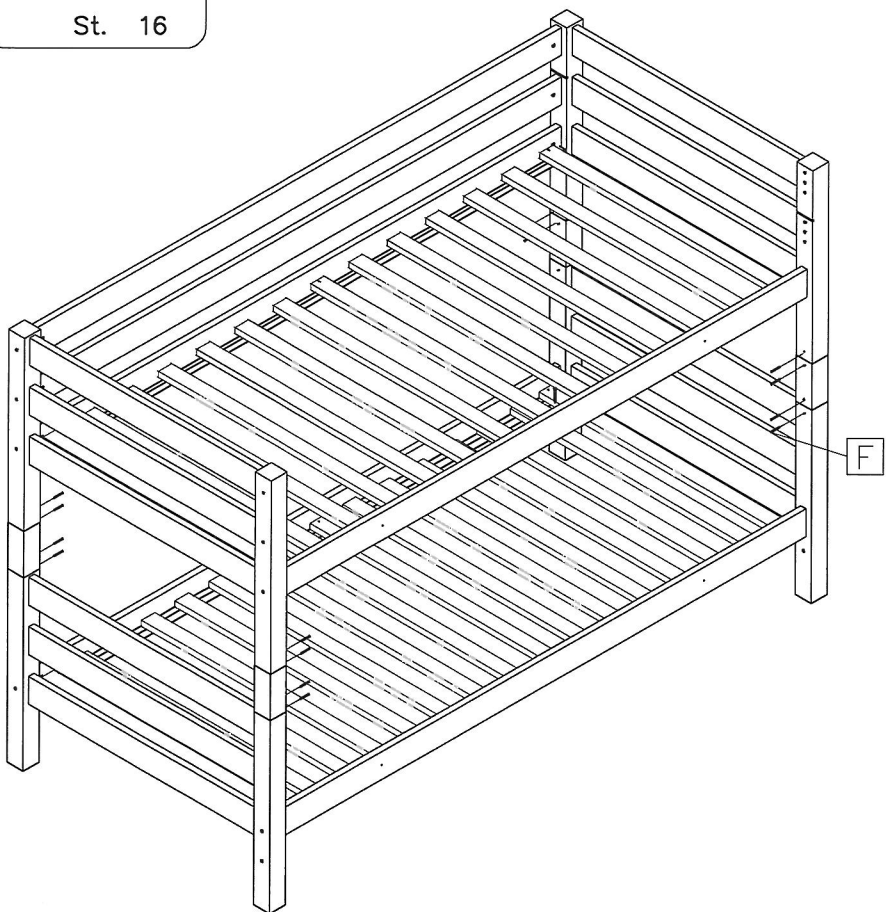


I Ø12x60
St. 16






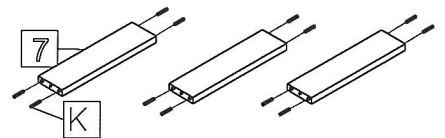
F $\varnothing 3.0 \times 30$

 St. 16




8

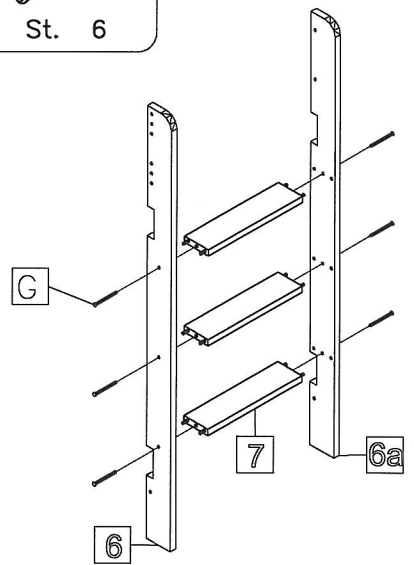
K $\varnothing 8 \times 32$

 St. 12



9

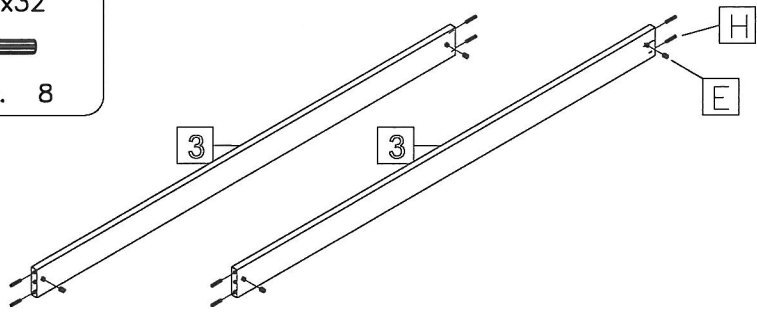


G M7x50

 St. 6


10


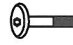



| | | | |
|---|--------|---|-------|
| E | Ø10X12 | H | Ø8x32 |
|  | |  | |
| St. 4 | | St. 8 | |

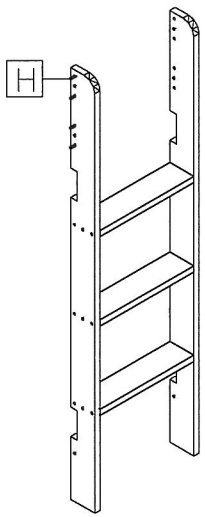


11

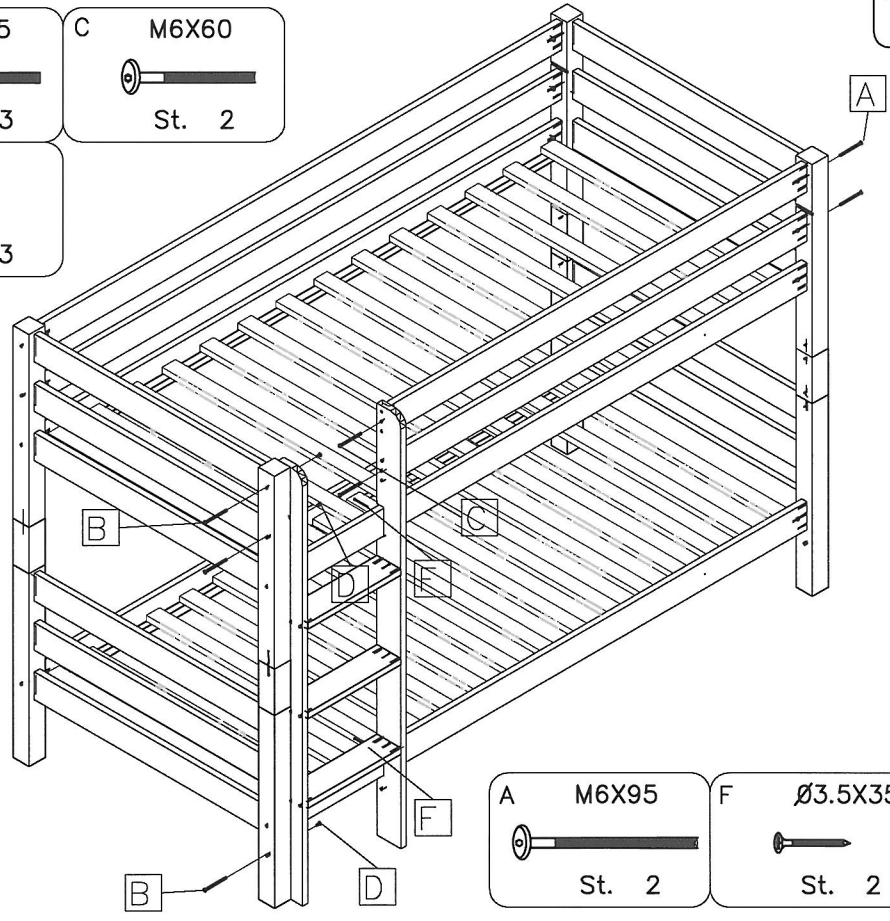
| | |
|---|-------|
| H | Ø8x32 |
|  | |
| St. 4 | |



| | | | |
|---|-------|---|-------|
| B | M6X75 | C | M6X60 |
|  | |  | |
| St. 3 | | St. 2 | |

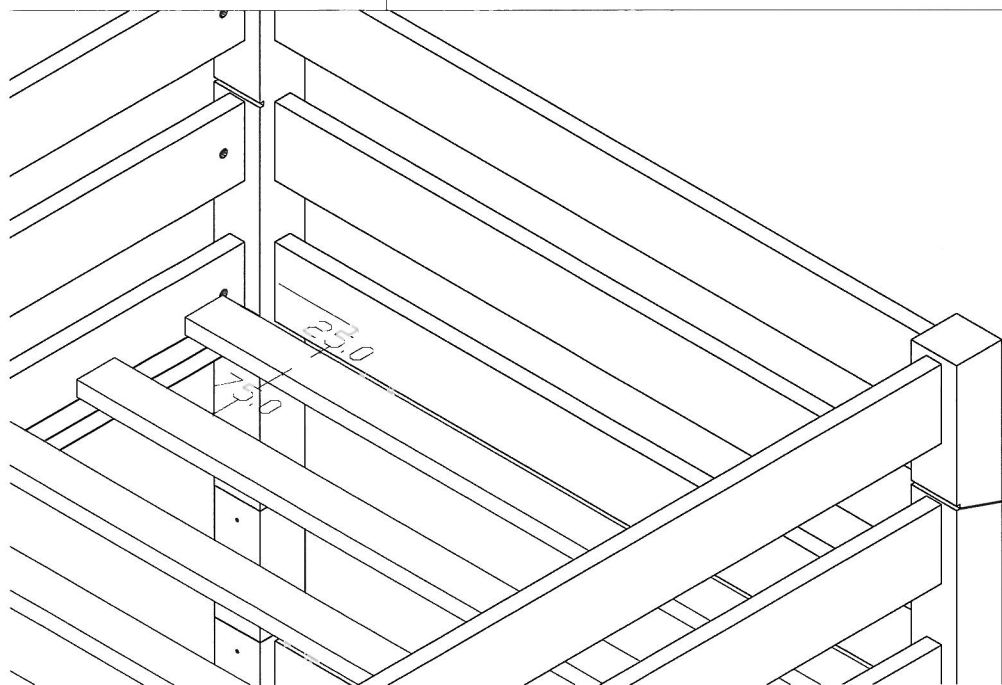
| | |
|---|----|
| D | M6 |
|  | |
| St. 3 | |



13



| | | | |
|---|-------|---|---------|
| A | M6X95 | F | Ø3.5X35 |
|  | |  | |
| St. 2 | | St. 2 | |



ACHTUNG
 Max. Matratzen Höhe
 IMPORTANT
 Max. Mattress height
 AANDACHT,
 Max. Matrashoogte
 ATTENTION,
 épaisseur Maximale
 du Matelas