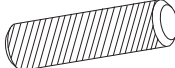
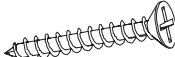
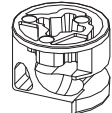
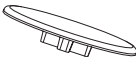



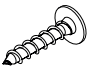

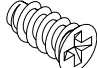


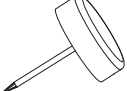

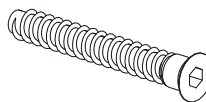
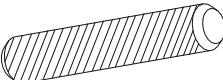


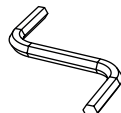
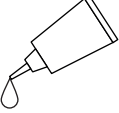
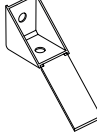
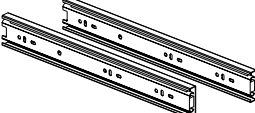
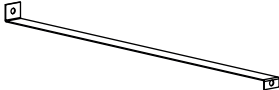
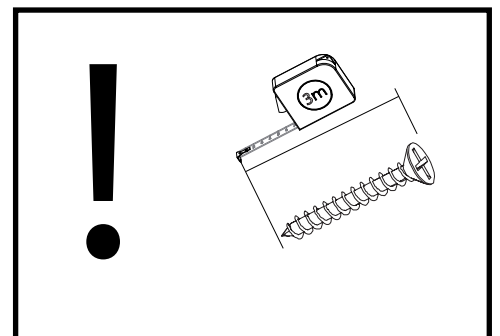


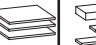





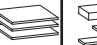

# BALTICA 13

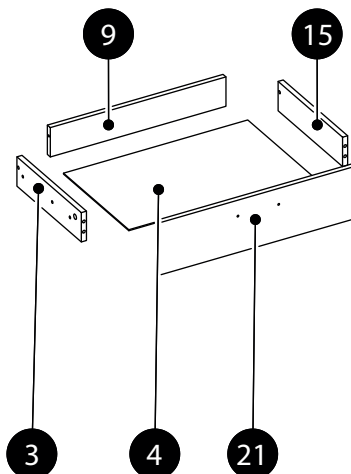
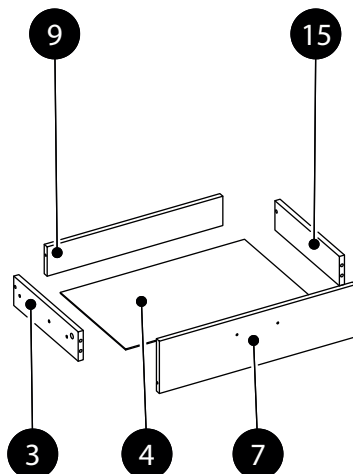
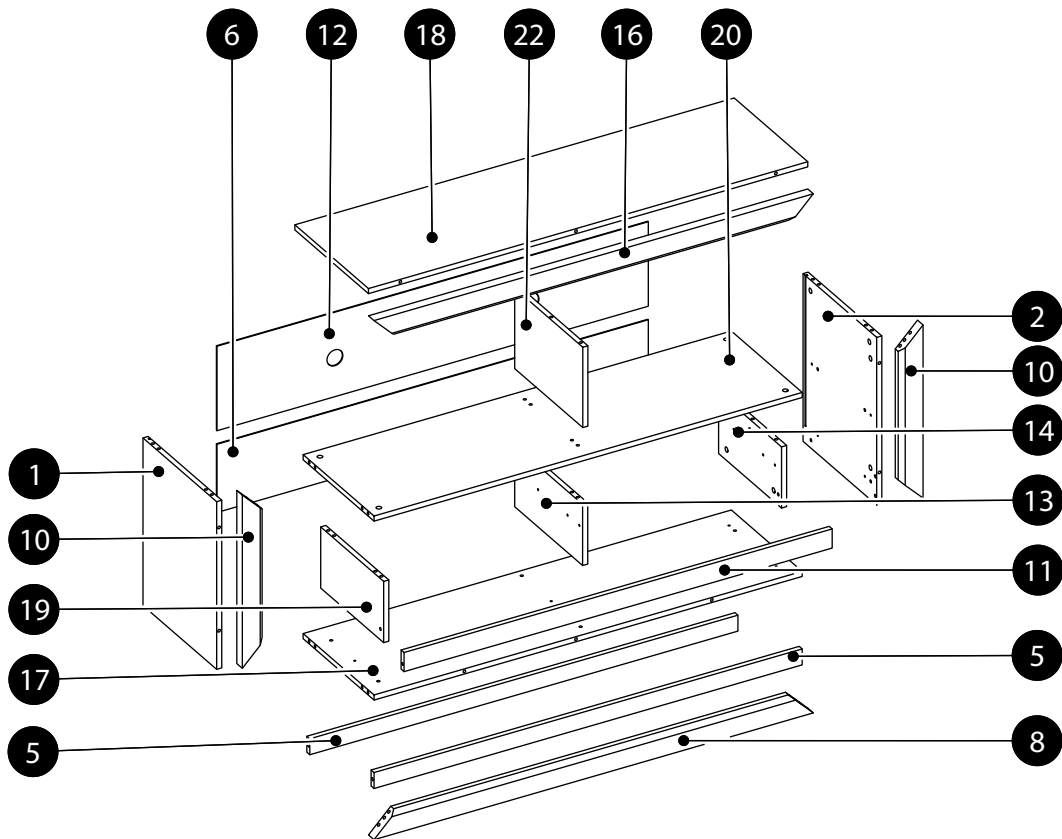
<p><b>K1</b> x 42 8x32</p> 	<p><b>WT18</b> x 4 4x30</p> 	<p><b>B2</b> x 46 h-12</p> 
<p><b>ZM1</b> x 13 Ø18</p> 	<p><b>WT1</b> x 8 3,5x15</p> 	<p><b>ZD1</b> x 4 L68</p> 
<p><b>ZJ1</b> x 34 L-43</p> 	<p><b>WT9</b> x 30 3x16</p> 	<p><b>KL</b> x 1</p> 
<p><b>WE7</b> x 12 ES6,3x13KBH</p> 	<p><b>GW1</b> x 20 1,4x25</p> 	<p><b>SP</b> x 7</p> 
<p><b>SG1</b> x 6</p> 	<p><b>U1T</b> x 2</p> 	<p><b>KT1</b> x 4 6,3x50</p> 
<p><b>K2</b> x 2 8x60</p> 	<p><b>ZD2</b> x 2 L76</p> 	<p><b>BR1</b> x 8 16x12x1</p> 
<p>x 1</p> 	<p><b>KL</b> x 1</p> 	<p><b>PO4</b> x 2</p> 
<p><b>P1</b> x 2 L-350</p> 	<p><b>WS1</b> x 2 L-350</p> 	



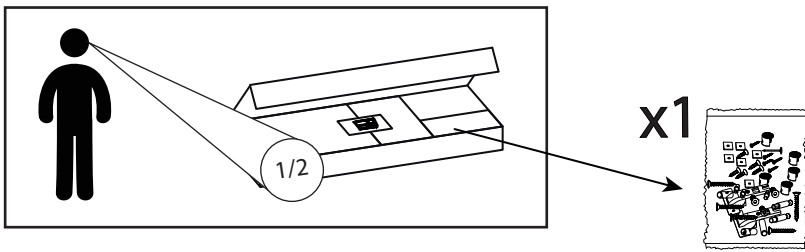
# BALTICA 13

	CODE				
1	Baltica13_03	526	400	1	1/2
2	Baltica13_04	526	400	1	1/2
3	Baltica13_13	92	350	2	1/2
4	Baltica13HDF_01	578	355	2	1/2
5	Baltica13_09	1343	50	2	1/2
6	Baltica13HDF_03	1353	214	1	1/2
7	Baltica13_10	615	164	1	1/2
8	Baltica13_20	1378	70	1	2/2
9	Baltica13_14	92	551	2	1/2
10	Baltica13_17	543	70	2	2/2
11	Baltica13_16	1343	60	1	1/2

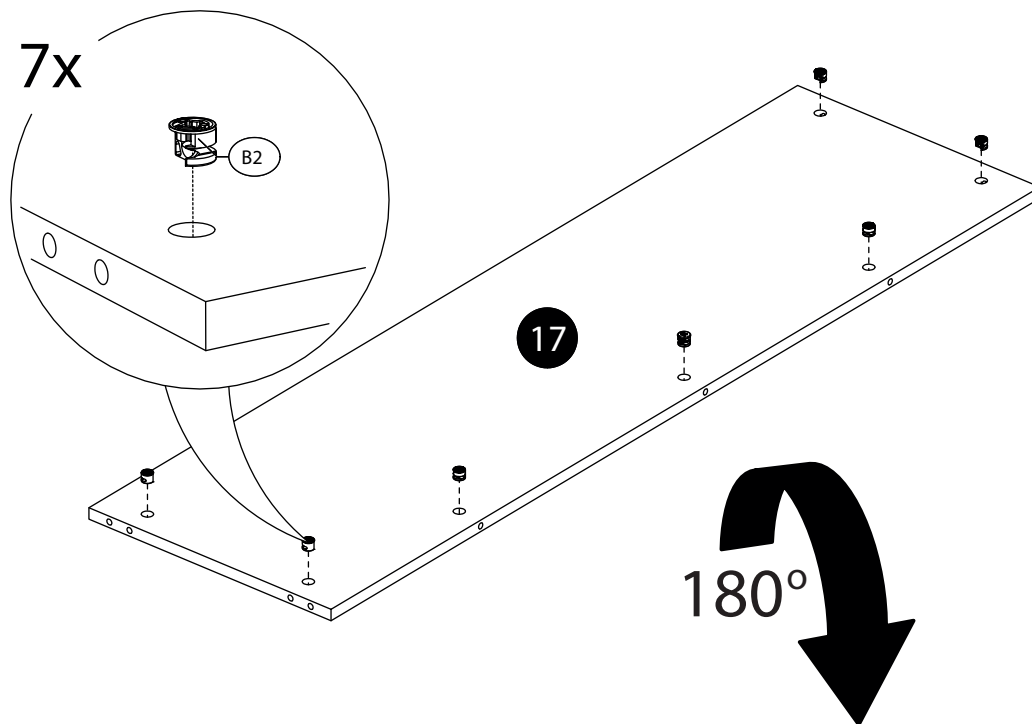
	CODE				
12	Baltica13HDF_02	1353	265	1	1/2
13	Baltica13_07	192	369	1	1/2
14	Baltica13_05	192	342	1	1/2
15	Baltica13_12	92	350	2	1/2
16	Baltica13_19	1378	70	1	2/2
17	Baltica13_02	1343	385	1	1/2
18	Baltica13_01	1378	400	1	1/2
19	Baltica13_06	192	342	1	1/2
20	Baltica13_15	1343	385	1	1/2
21	Baltica13_11	615	164	1	1/2
22	Baltica13_08	252	370	1	1/2



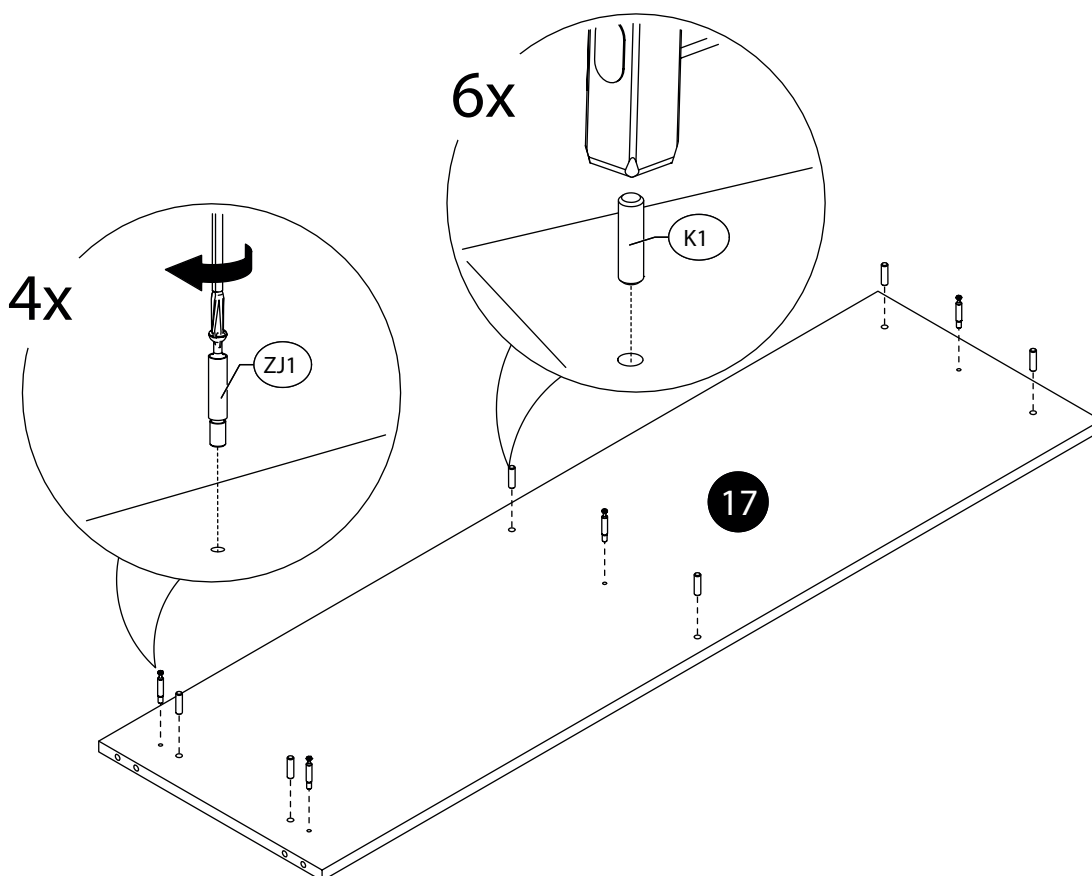
1.



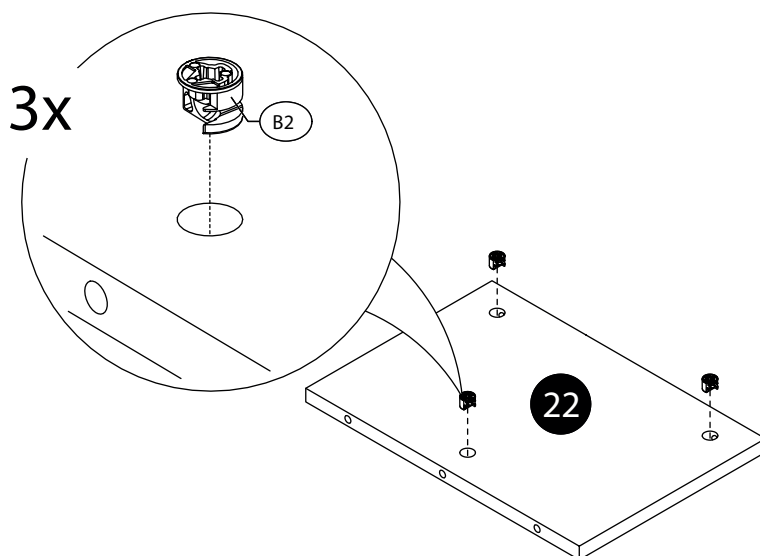
2.



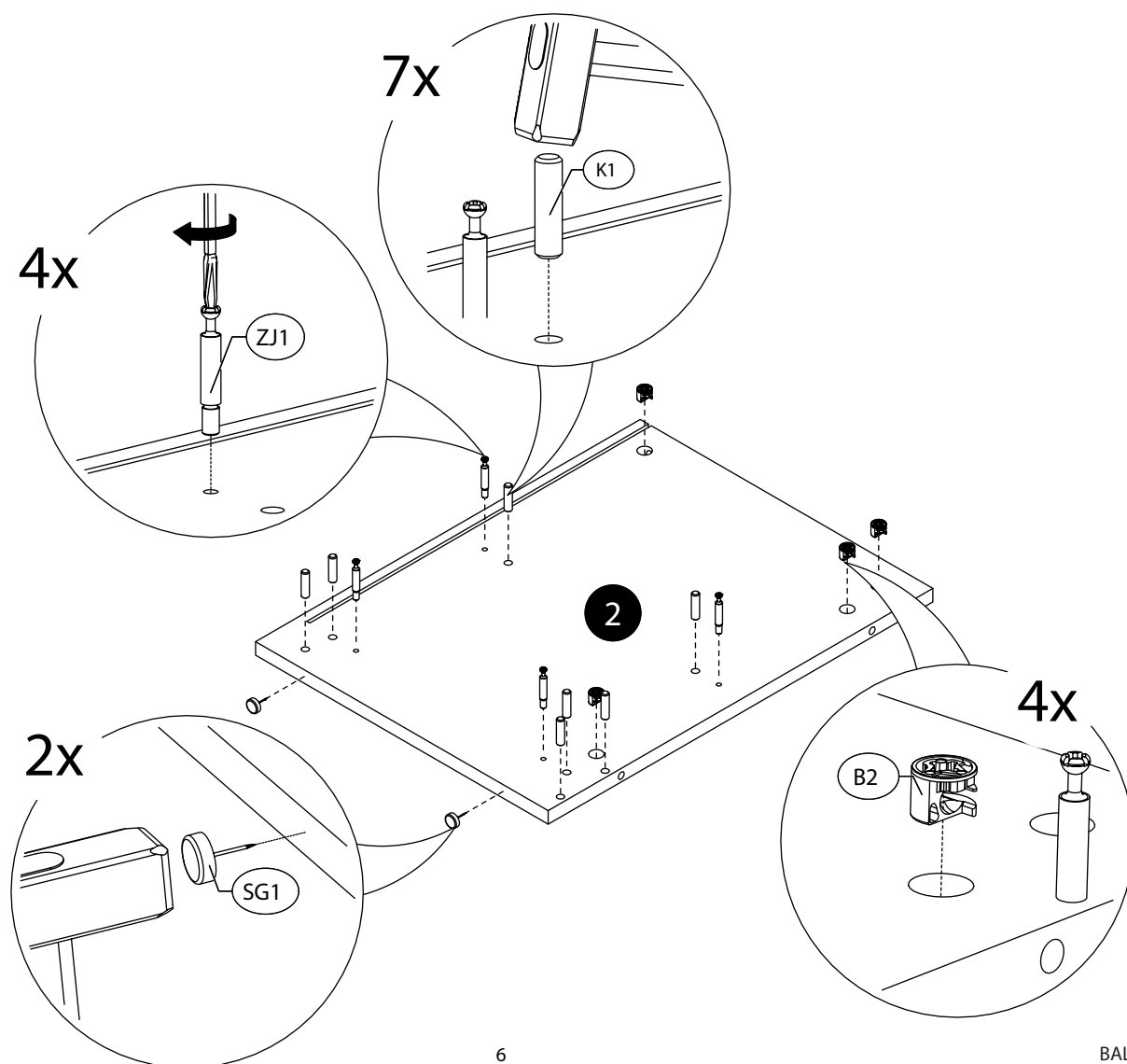
3.



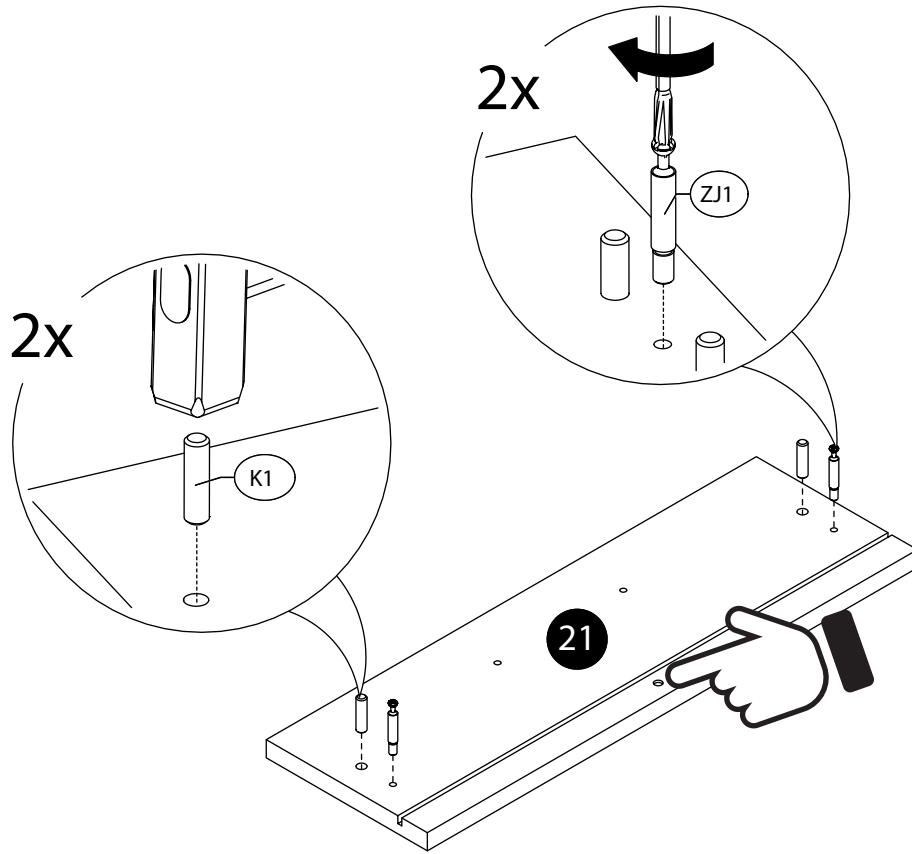
4.



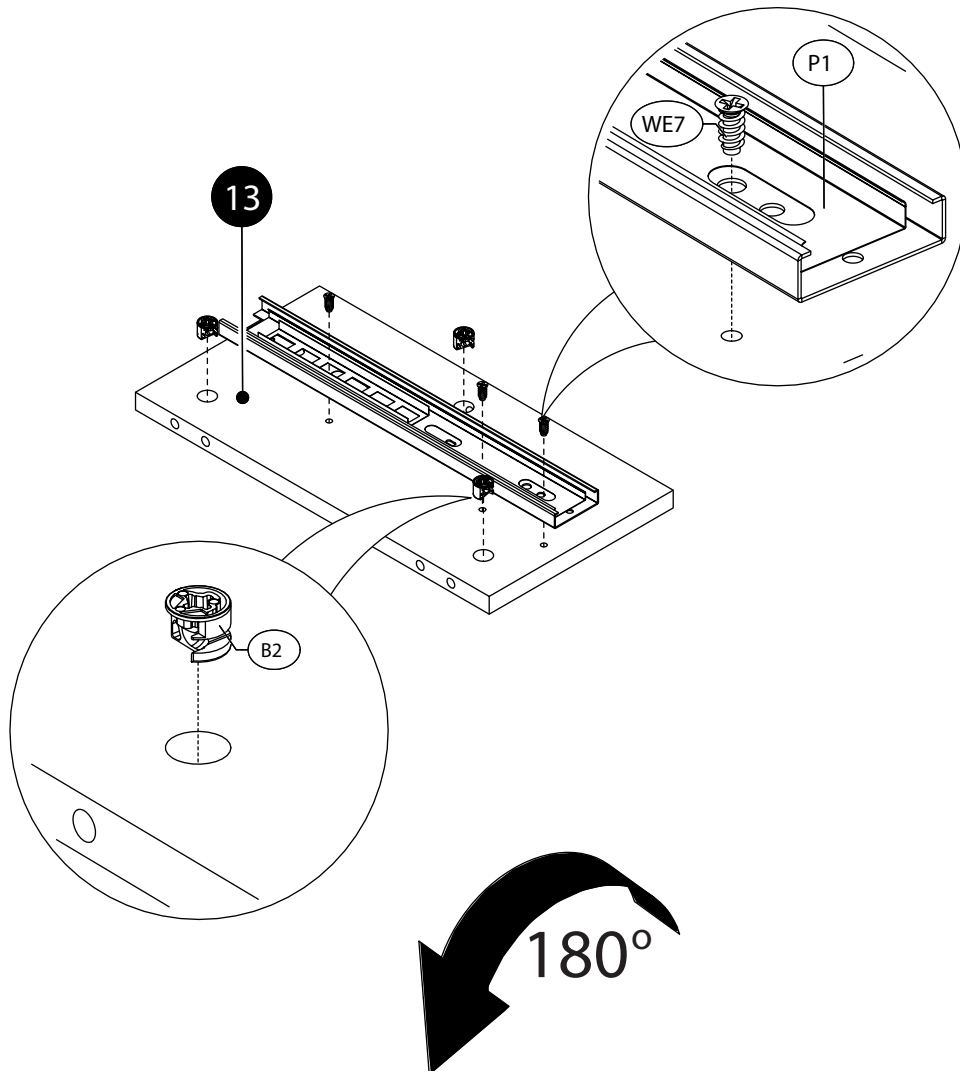
5.



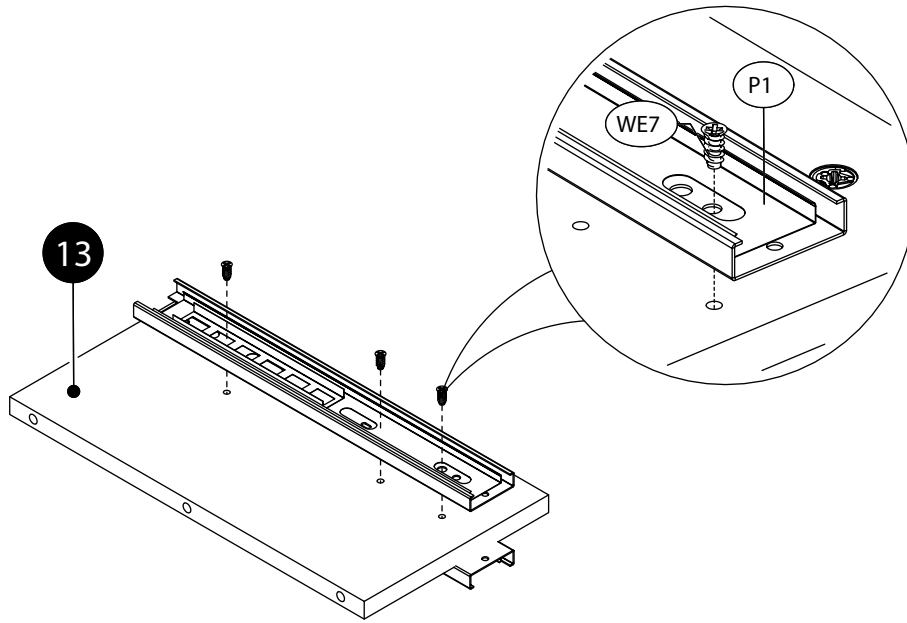
6.



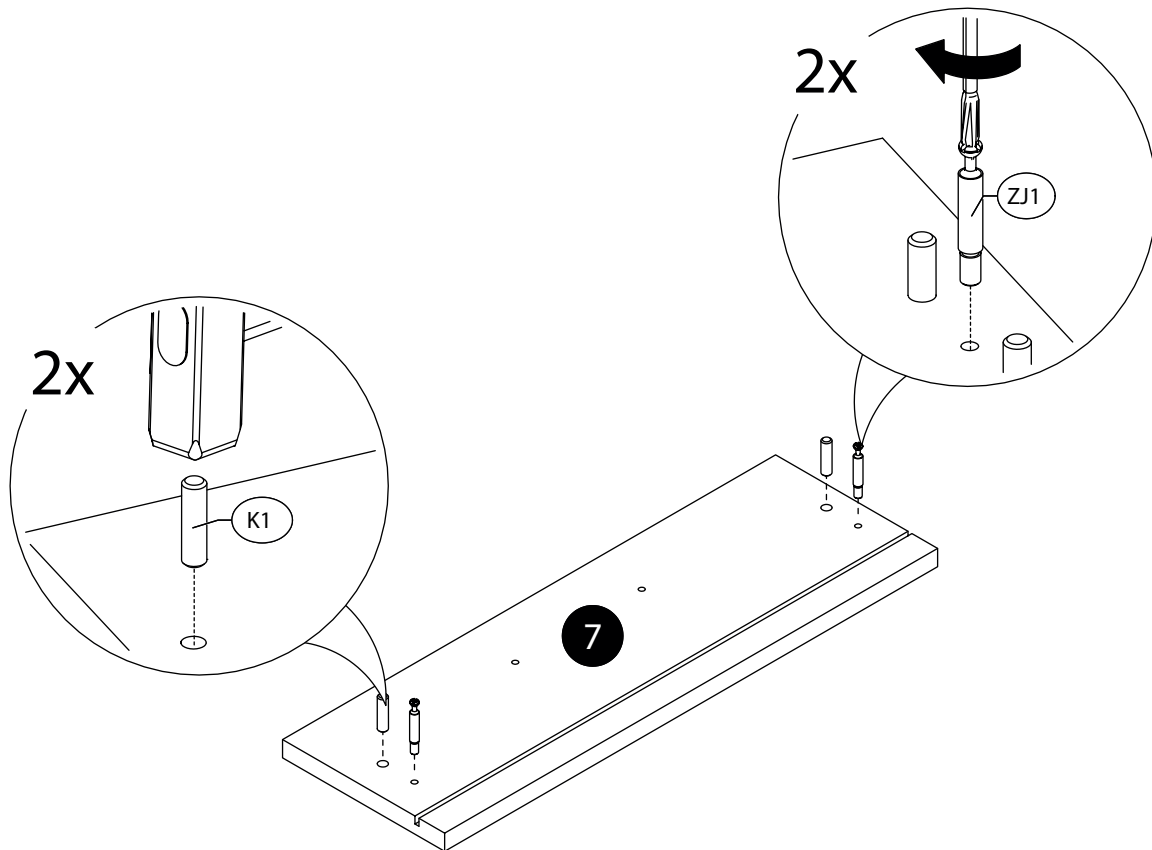
7.



8.

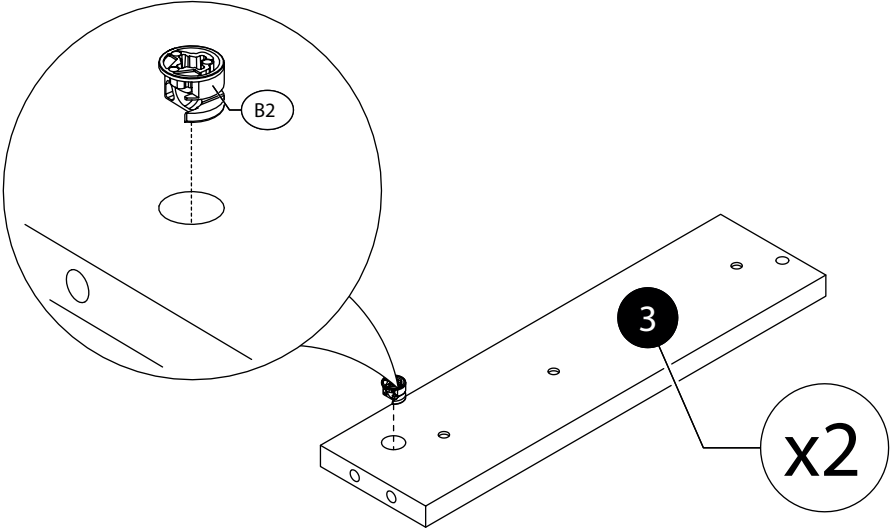


9.

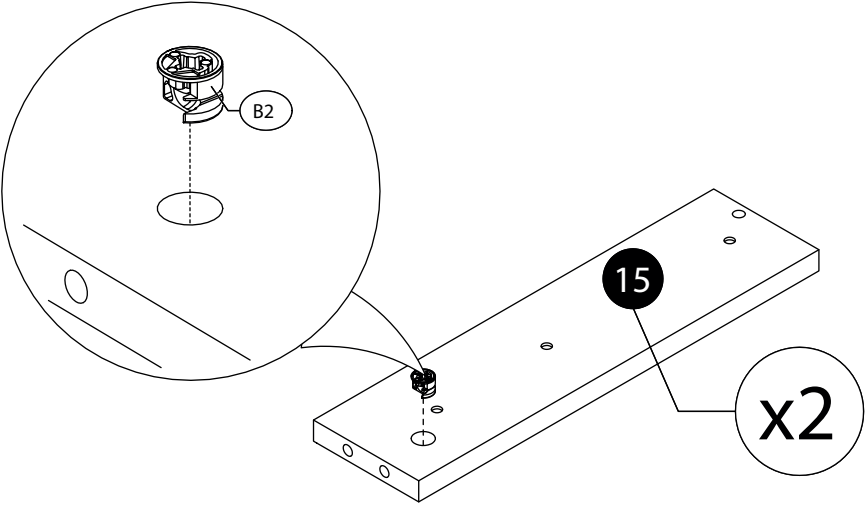




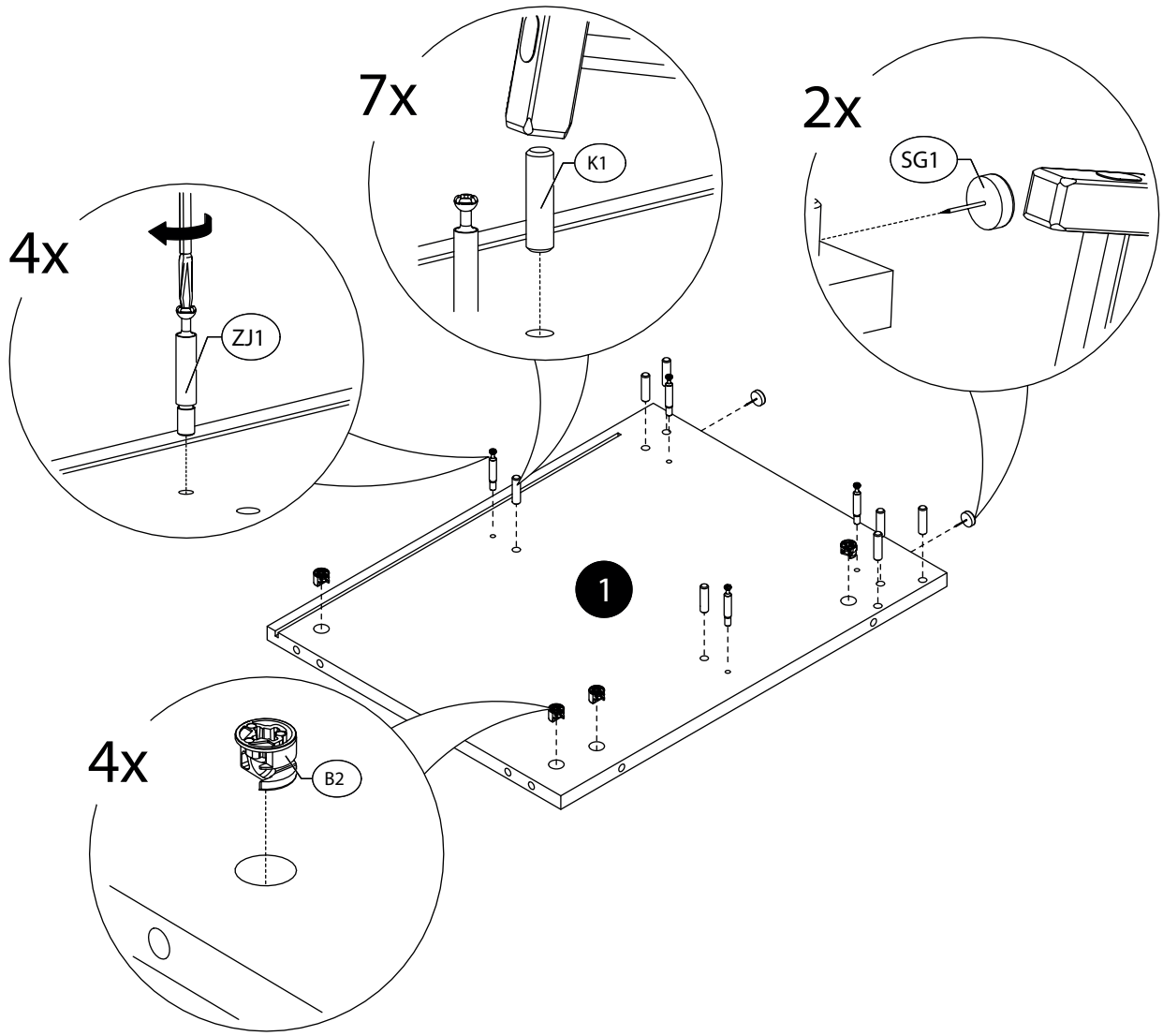
10.



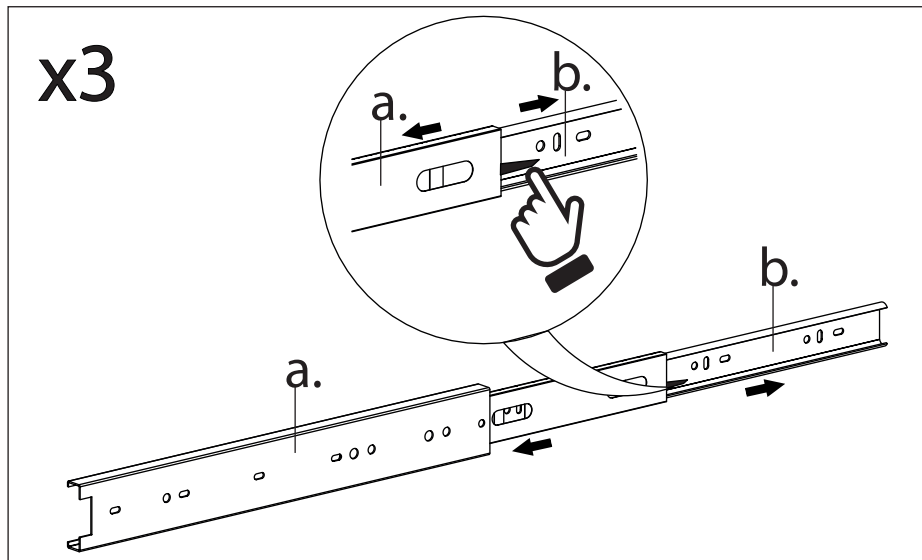
11.



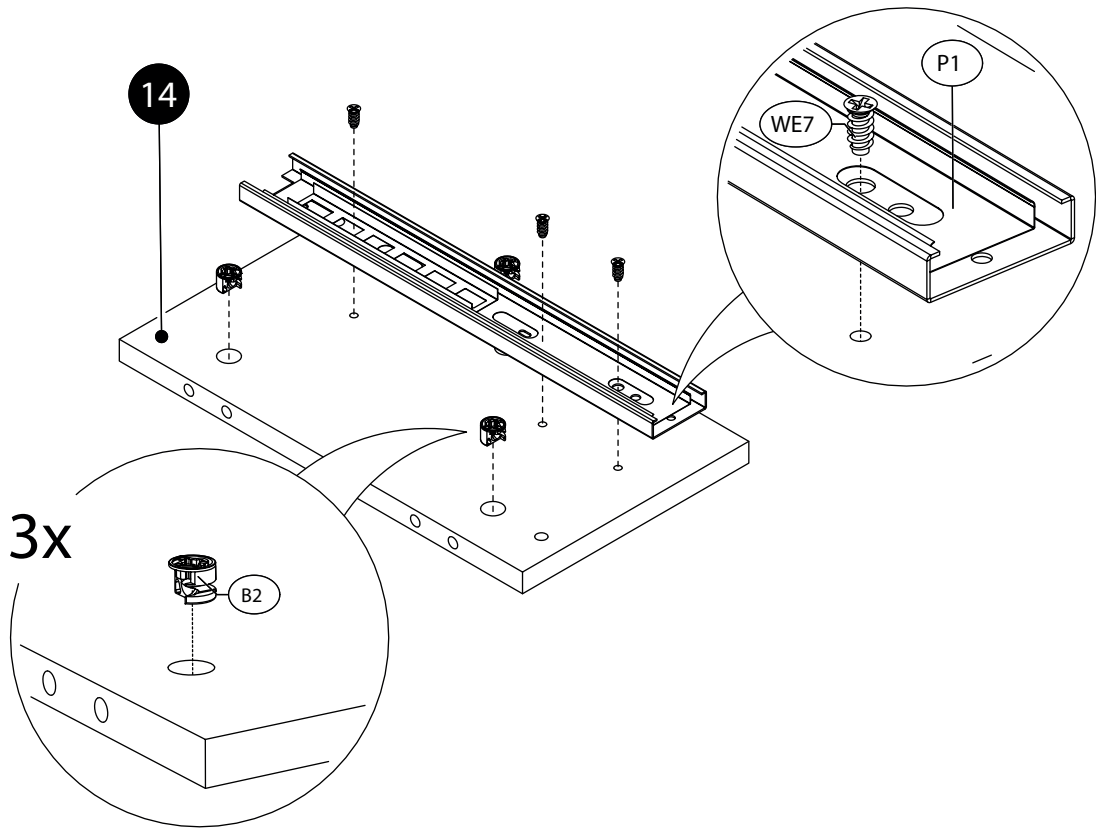
12.



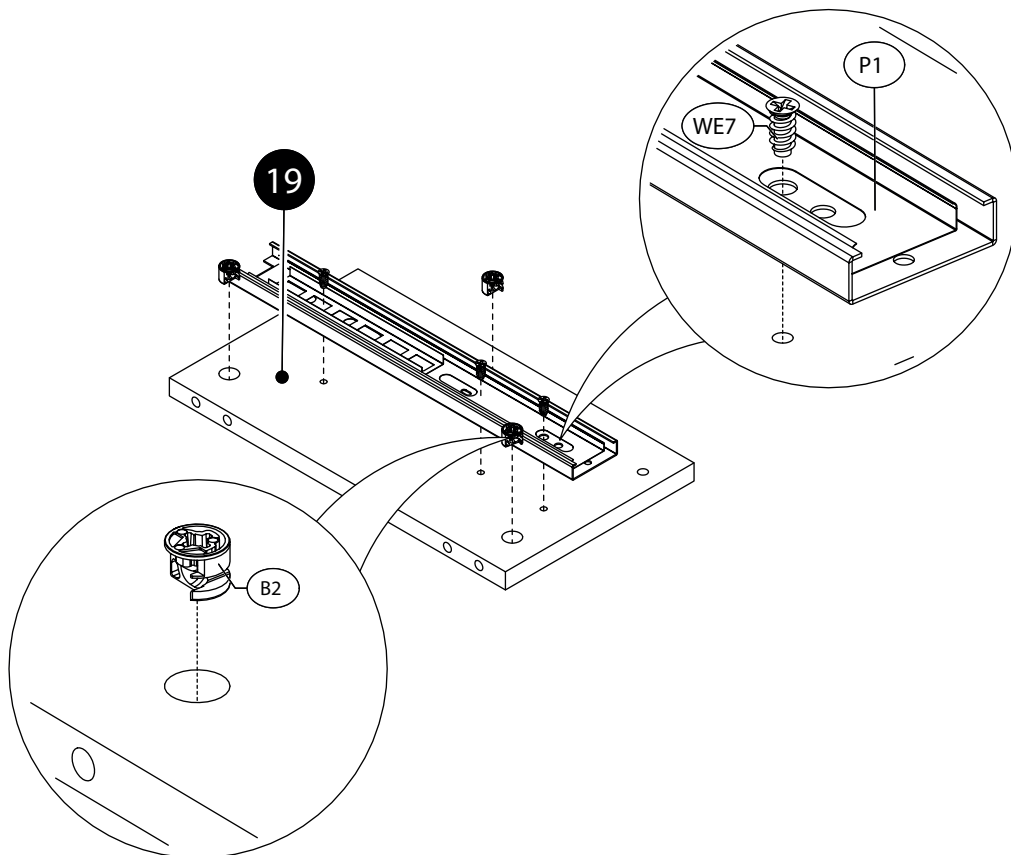
13.



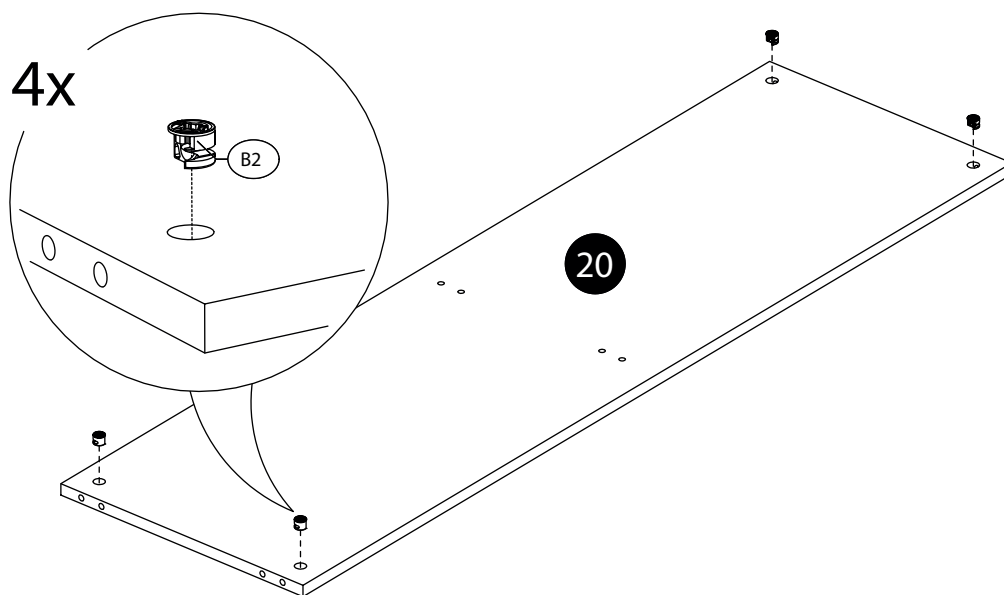
# 14.



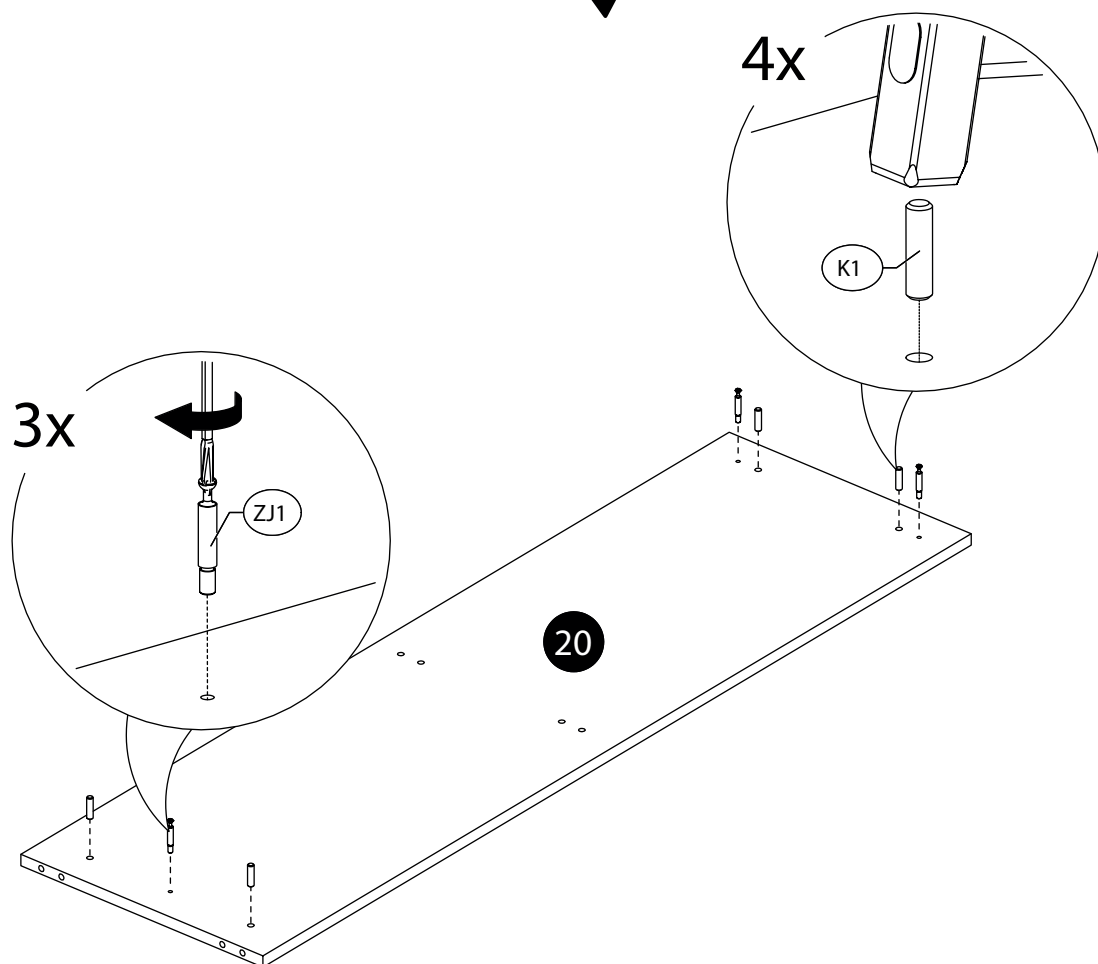
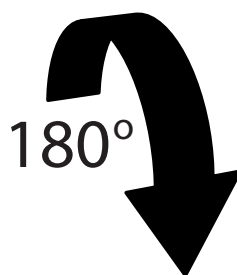
# 15.



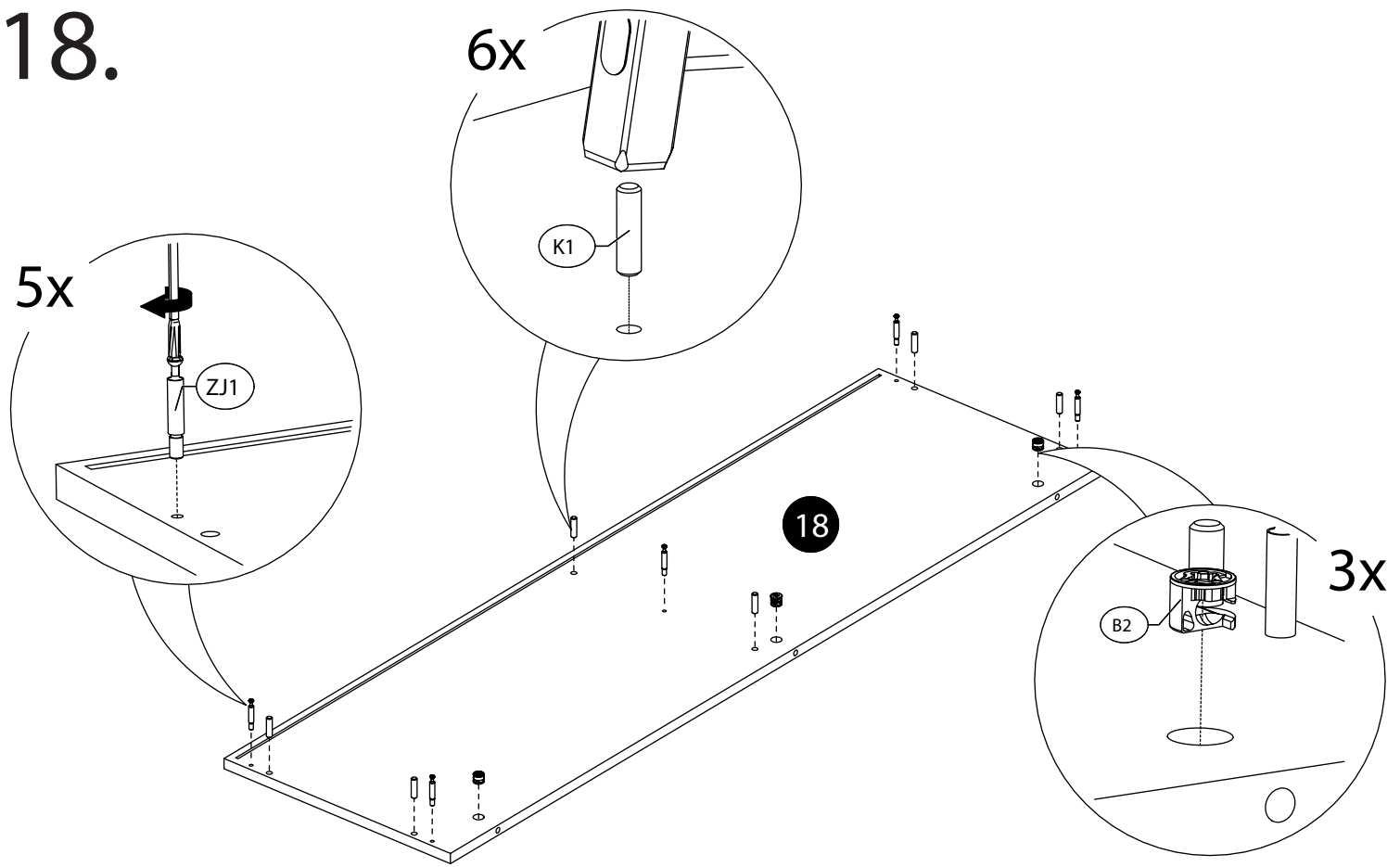
16.



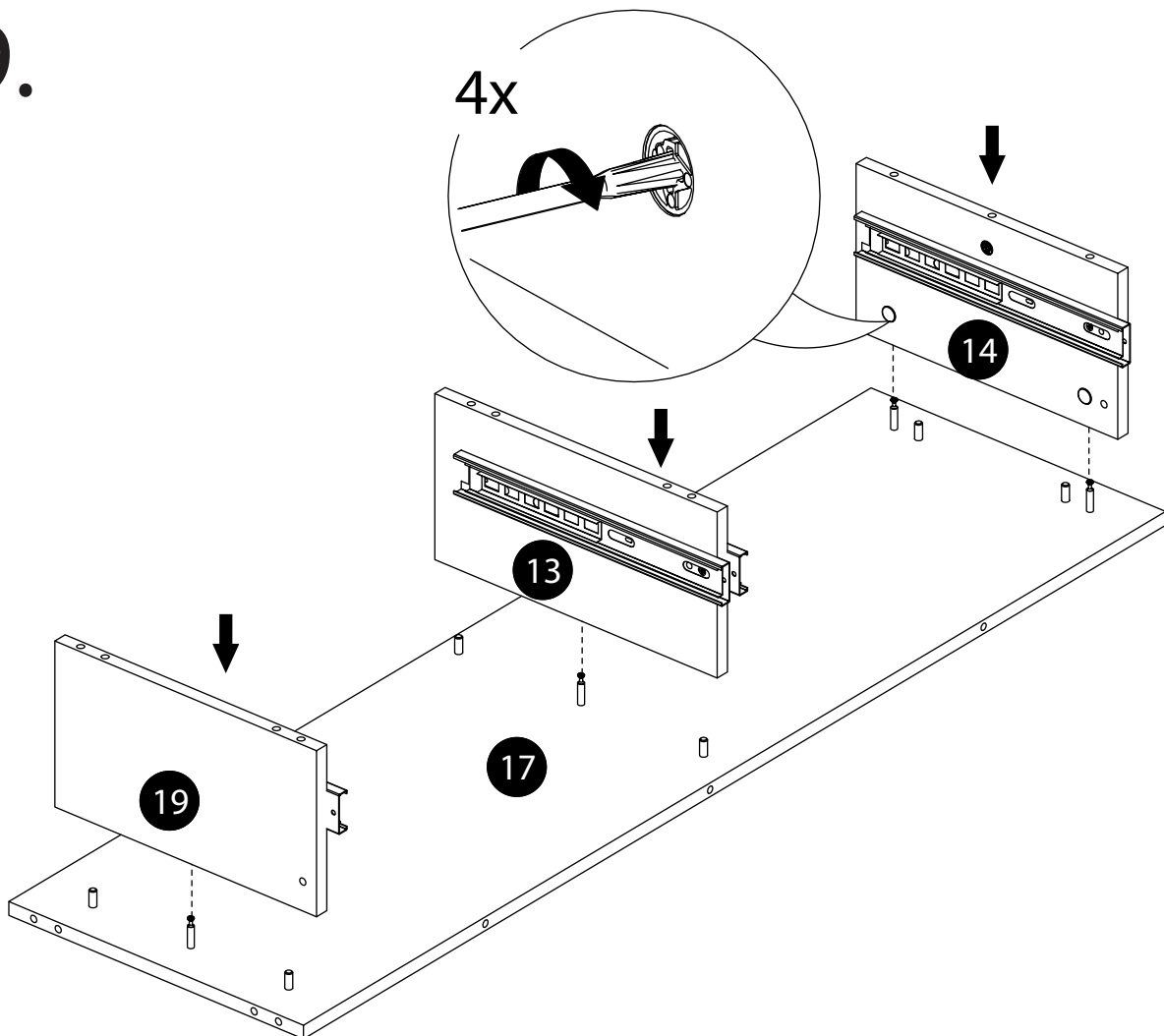
17.



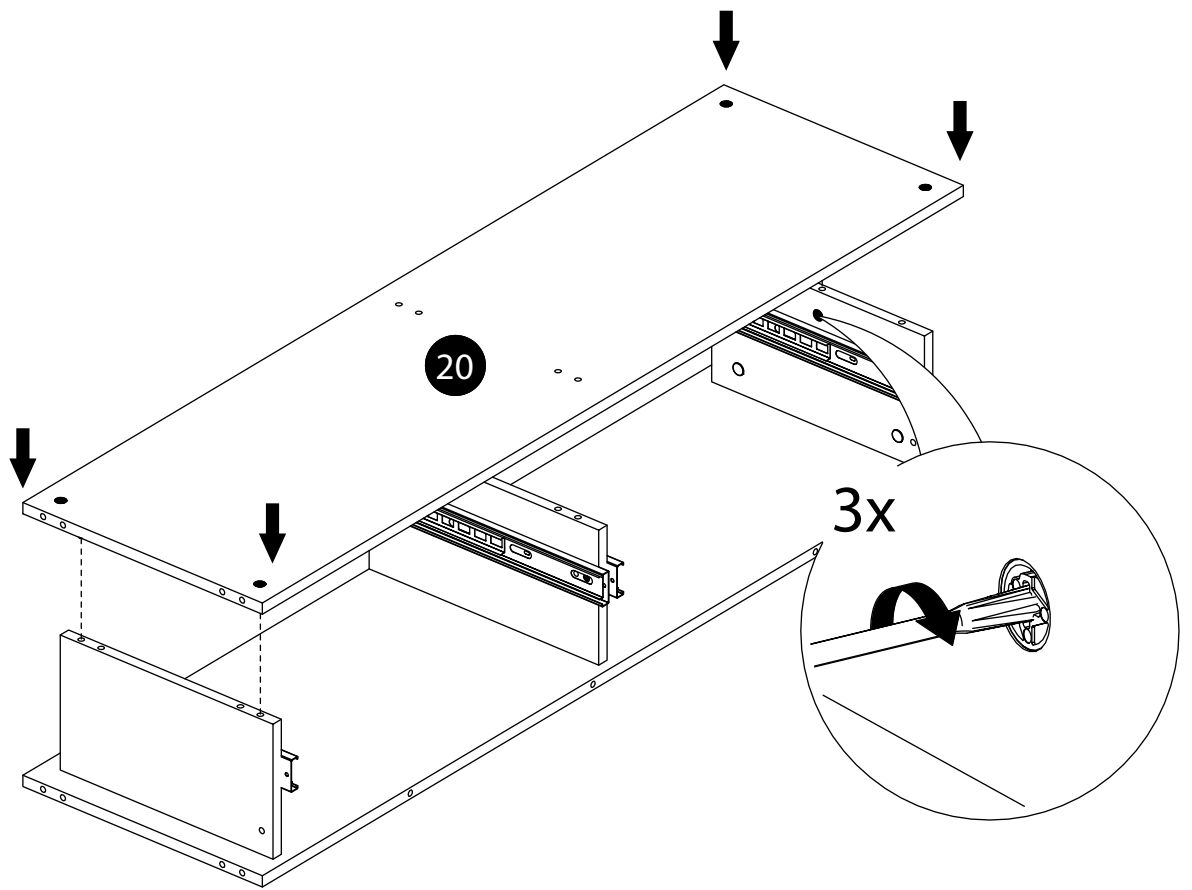
18.



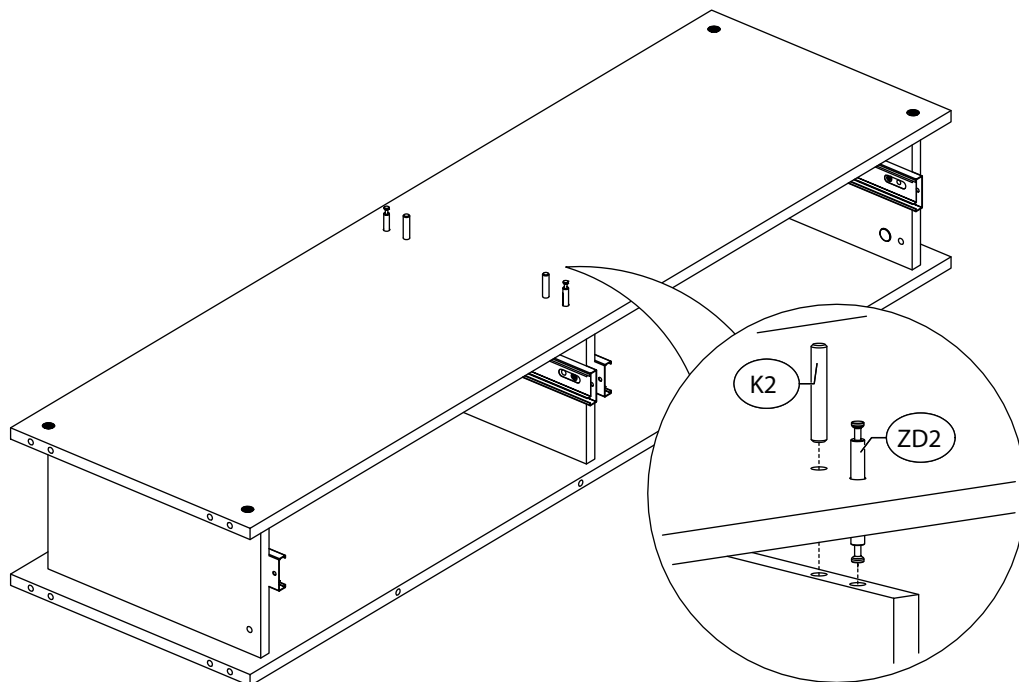
19.



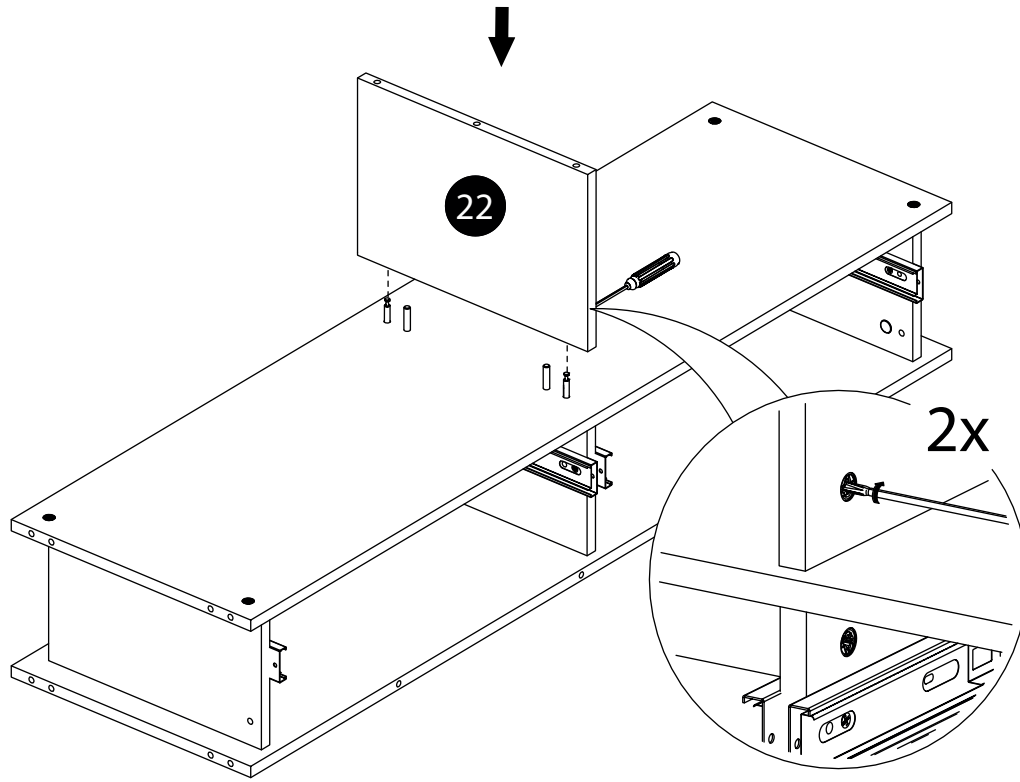
20.



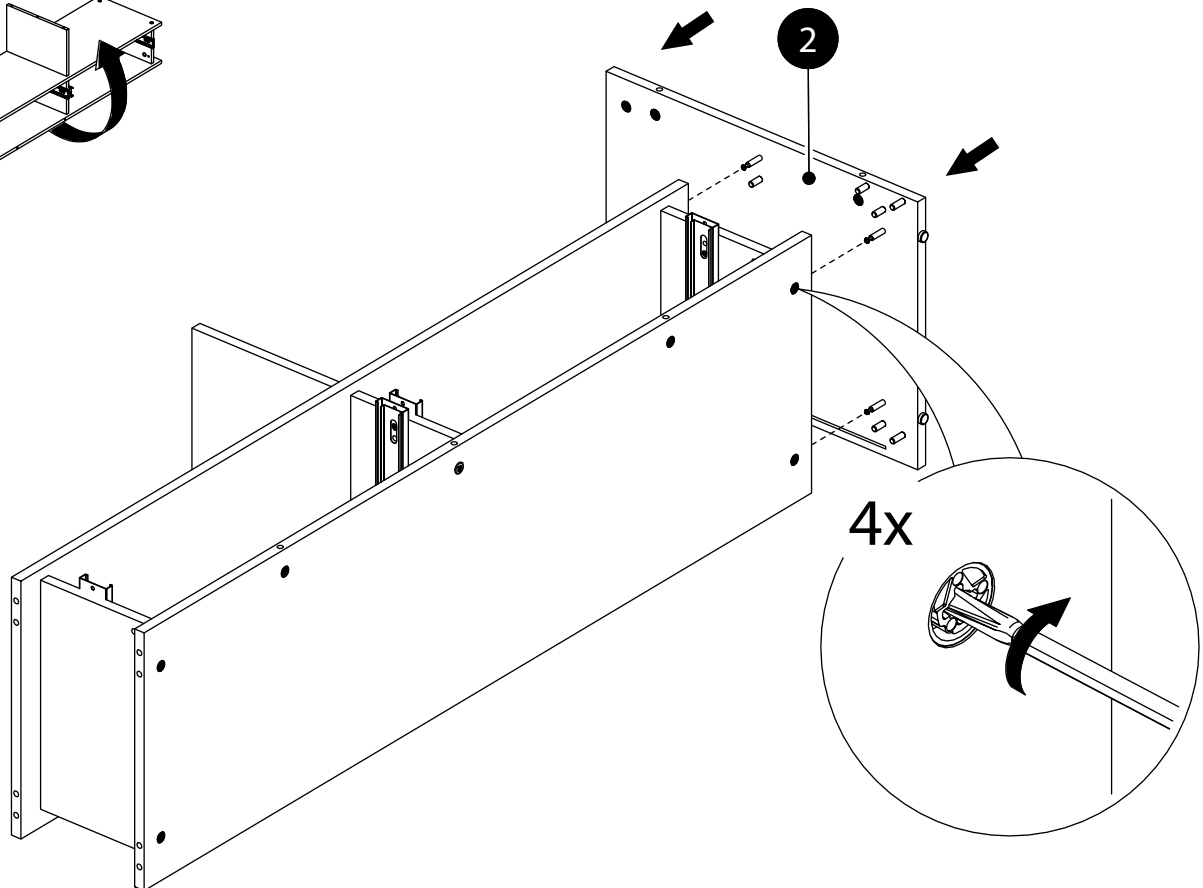
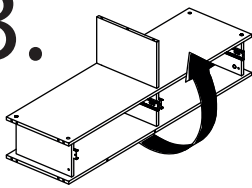
21.



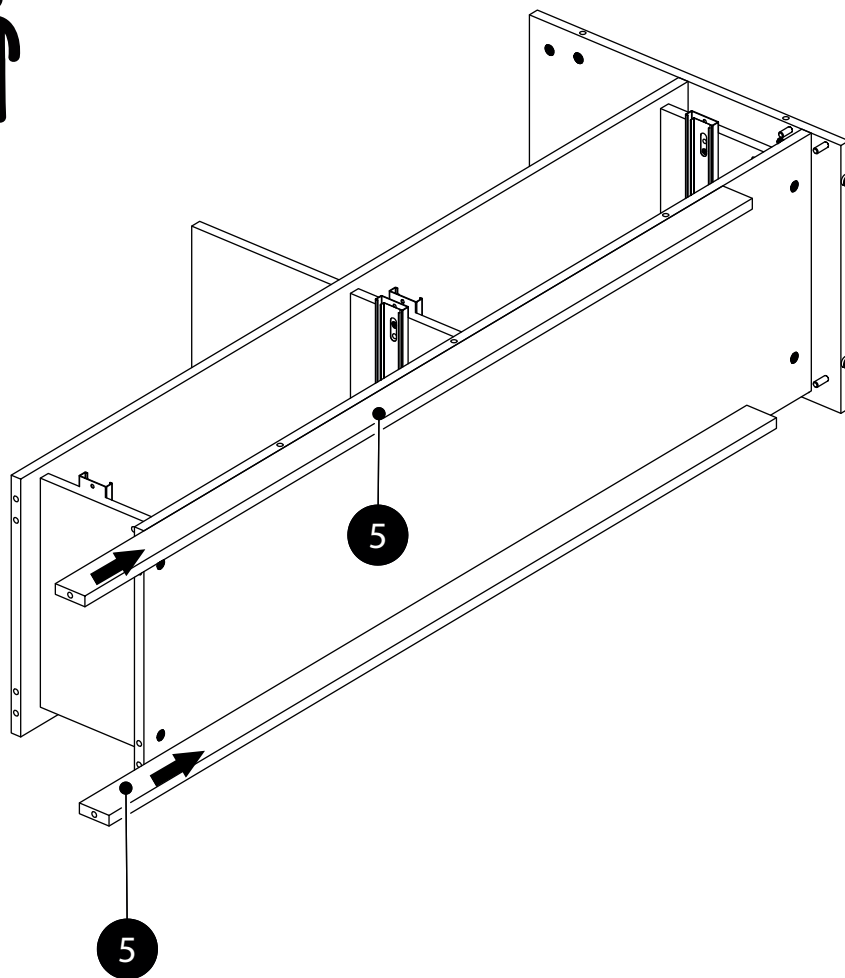
22.



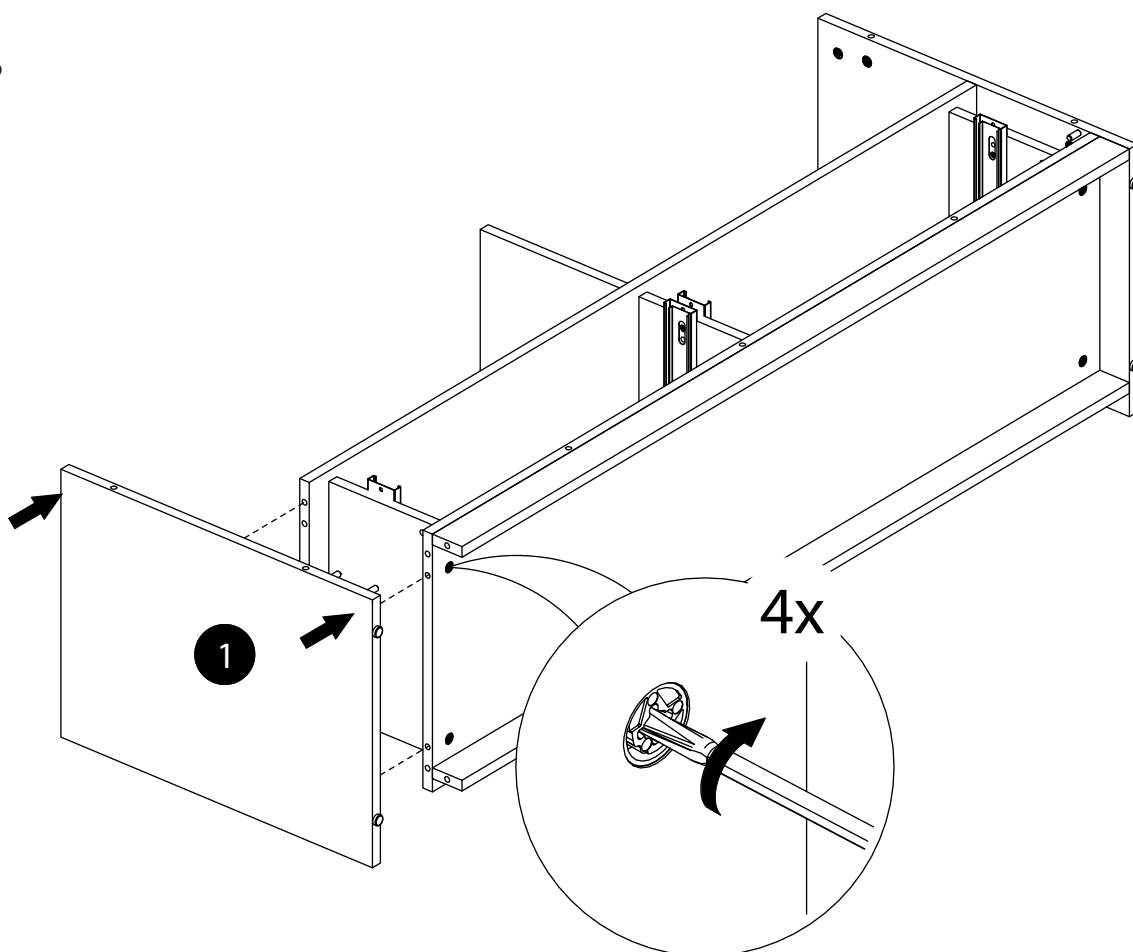
23.



24. 

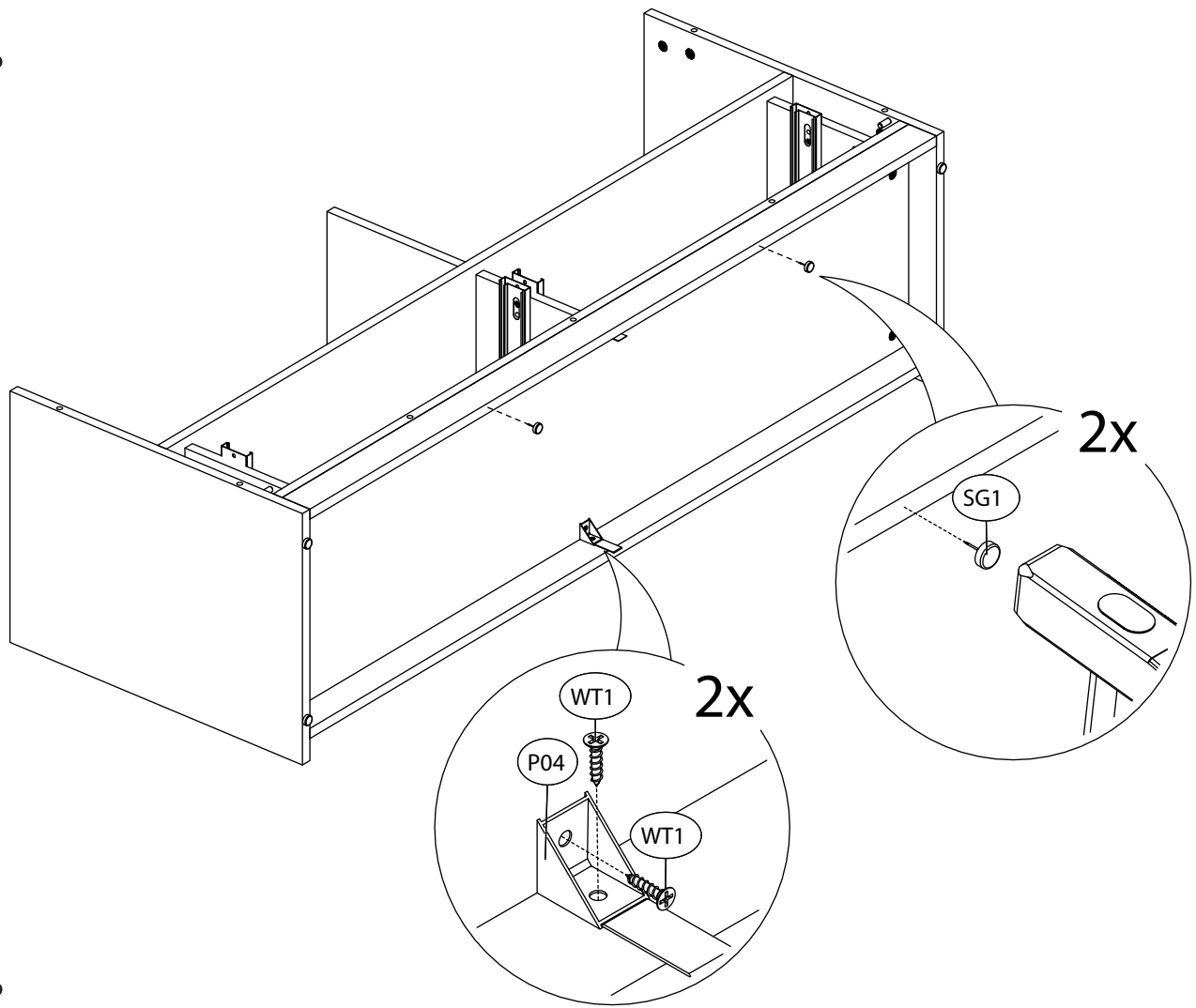


25.

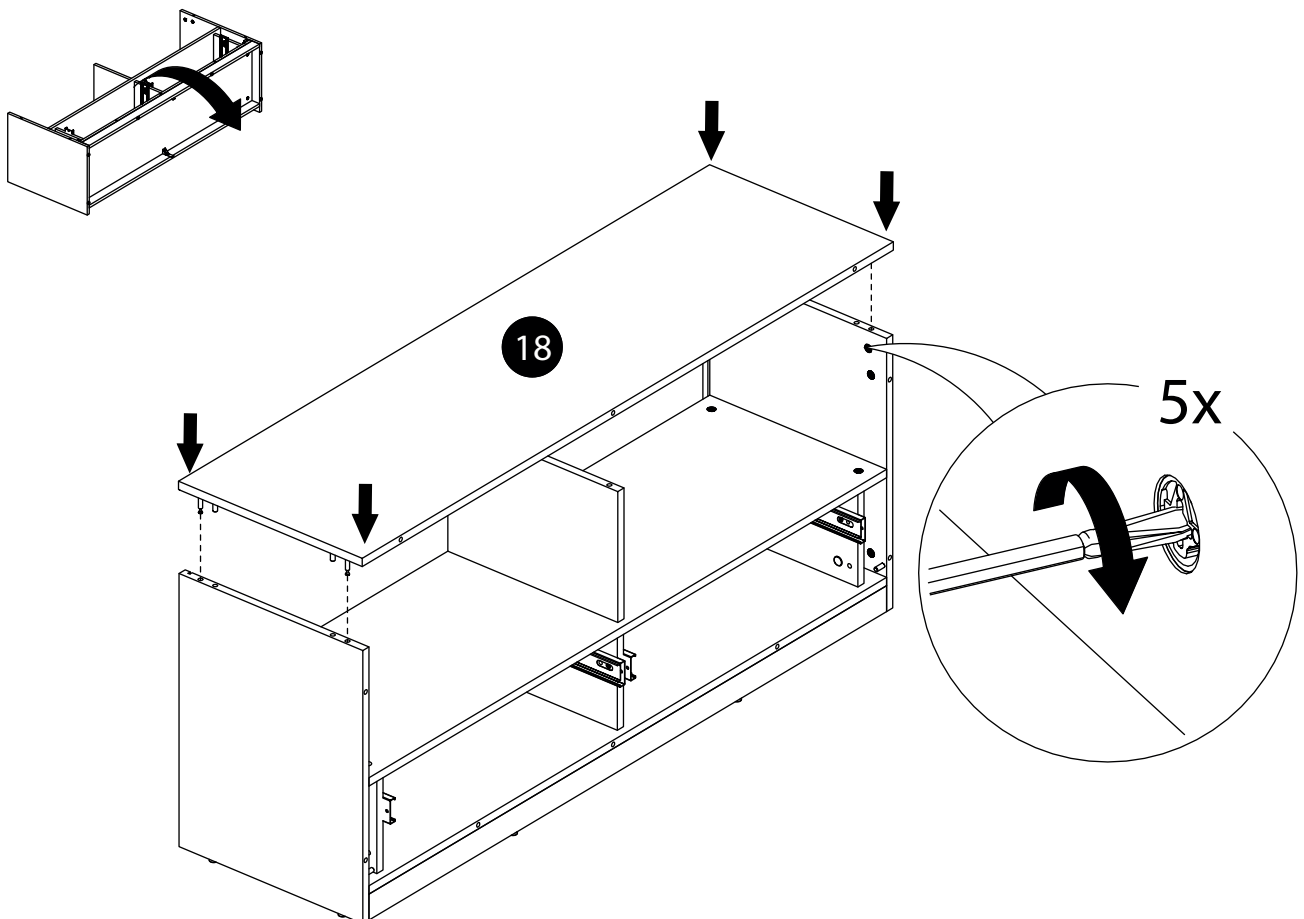




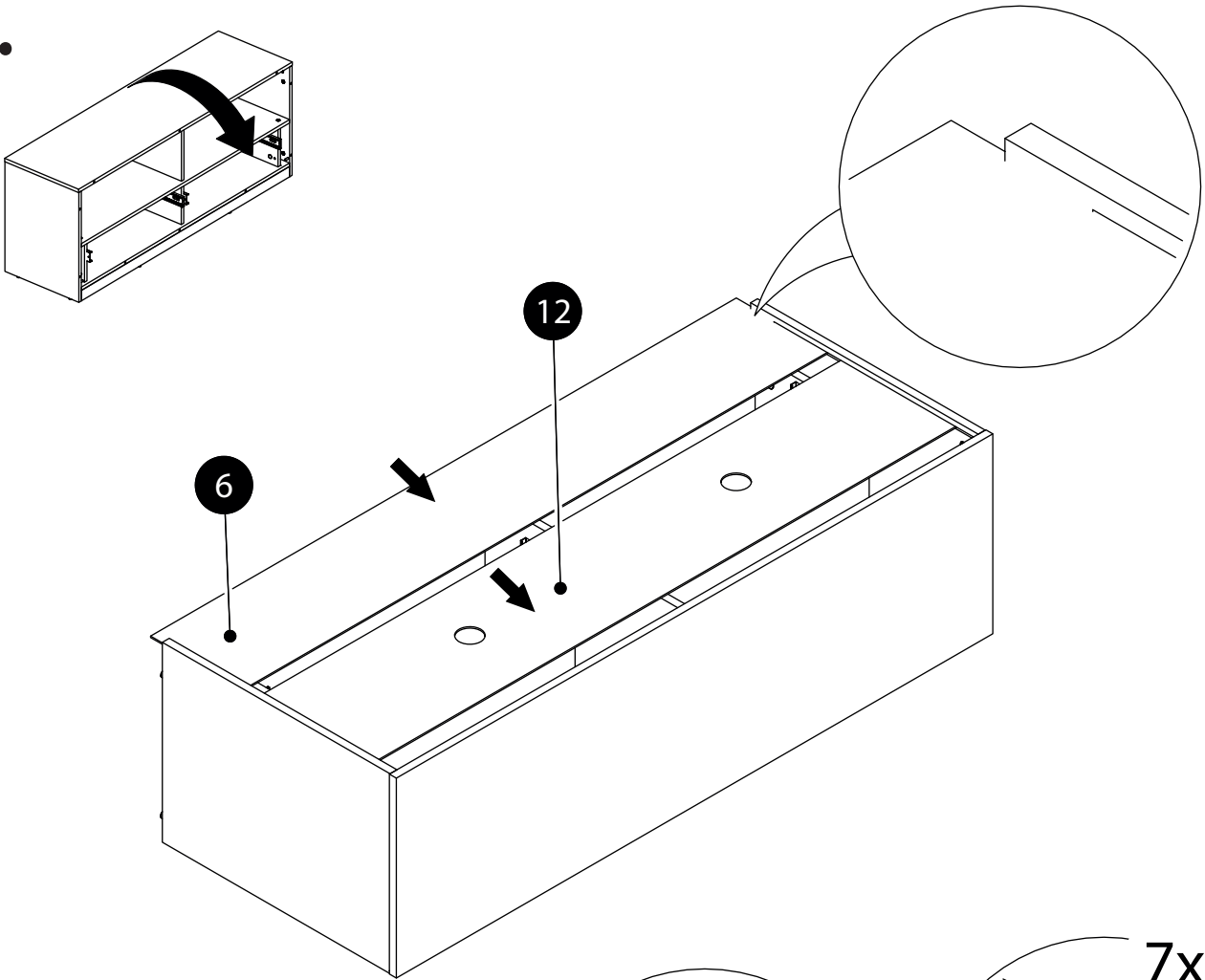
26.



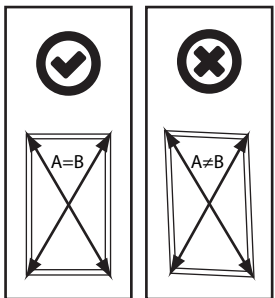
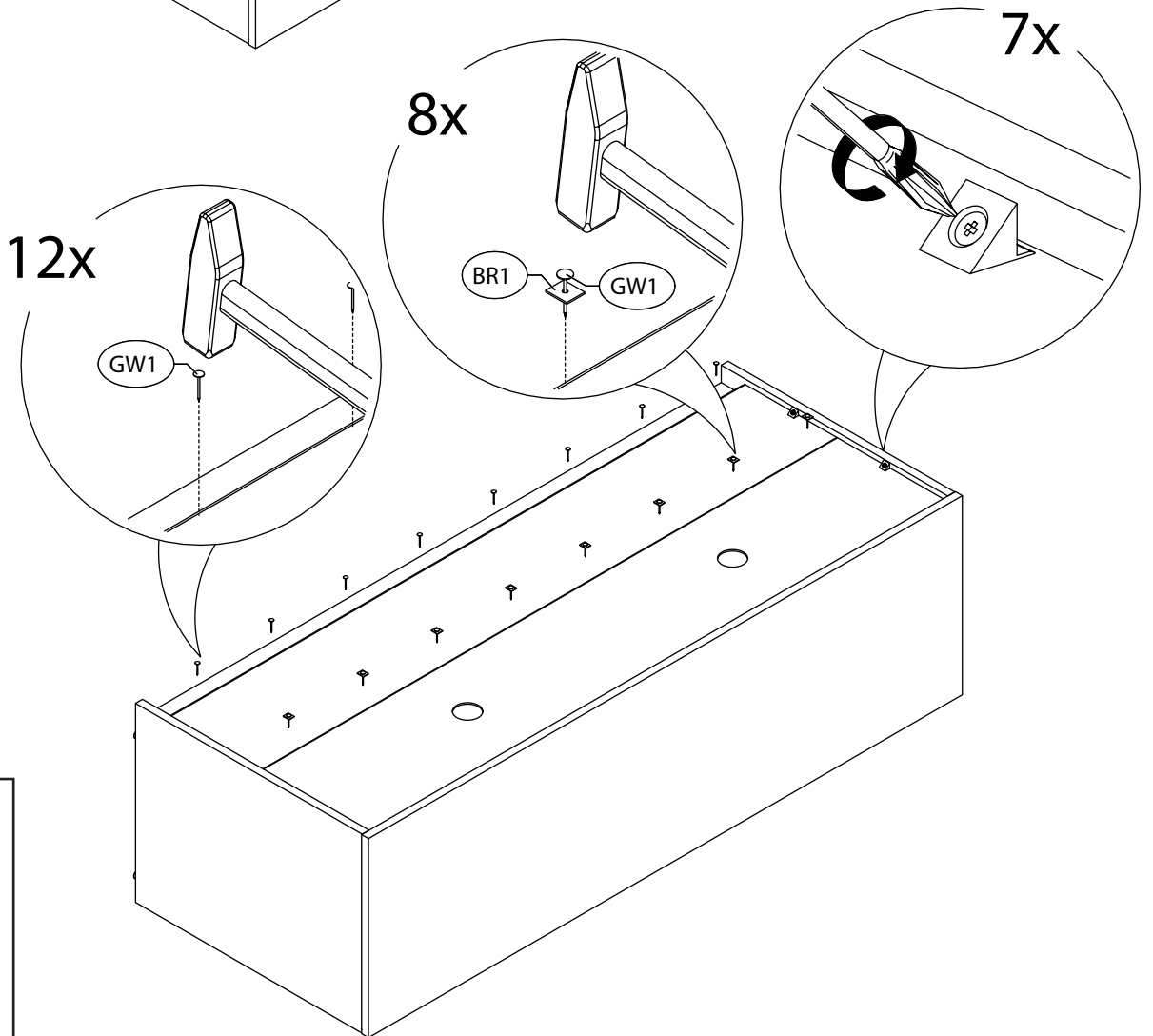
27.



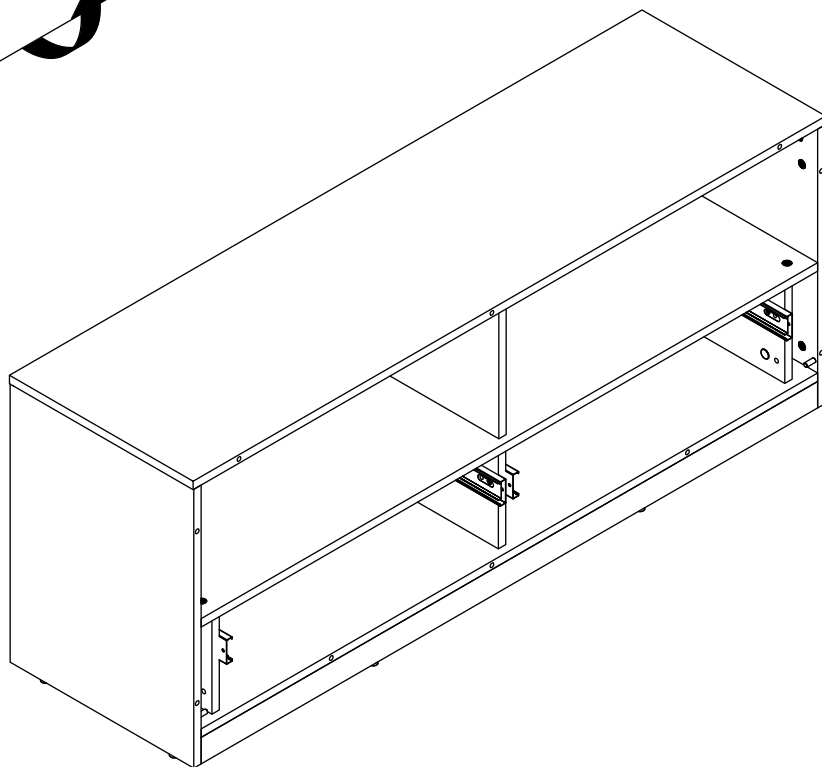
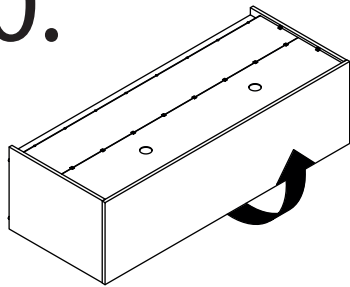
28.



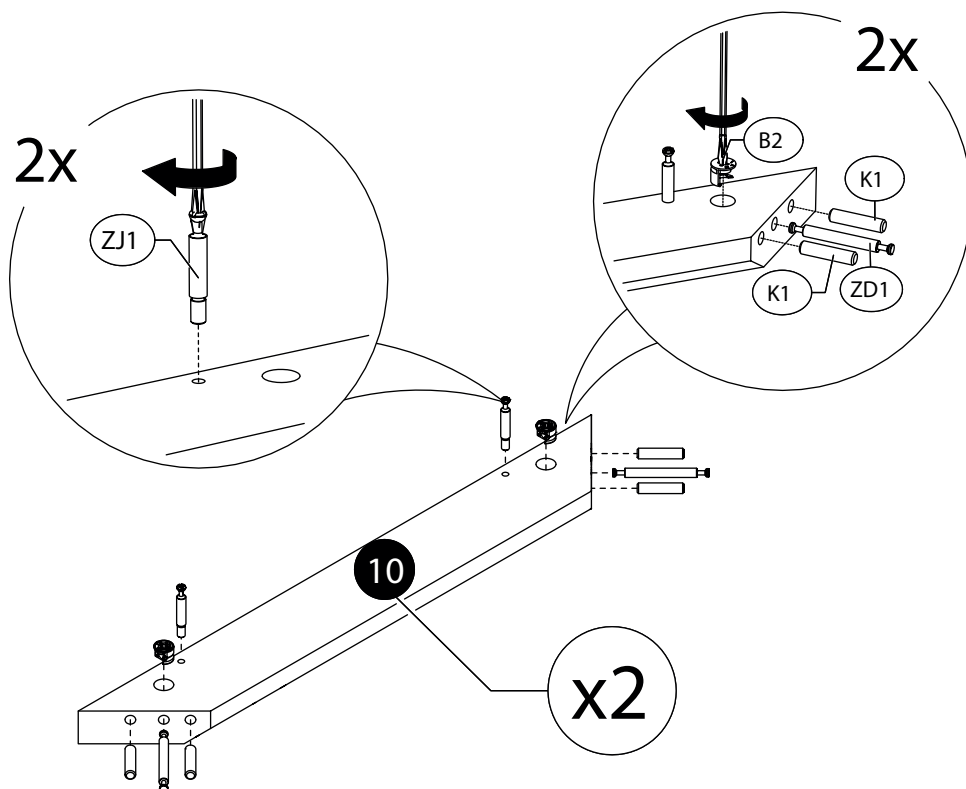
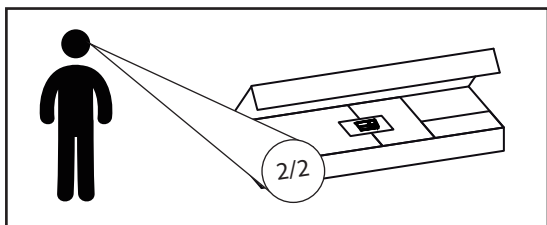
29.



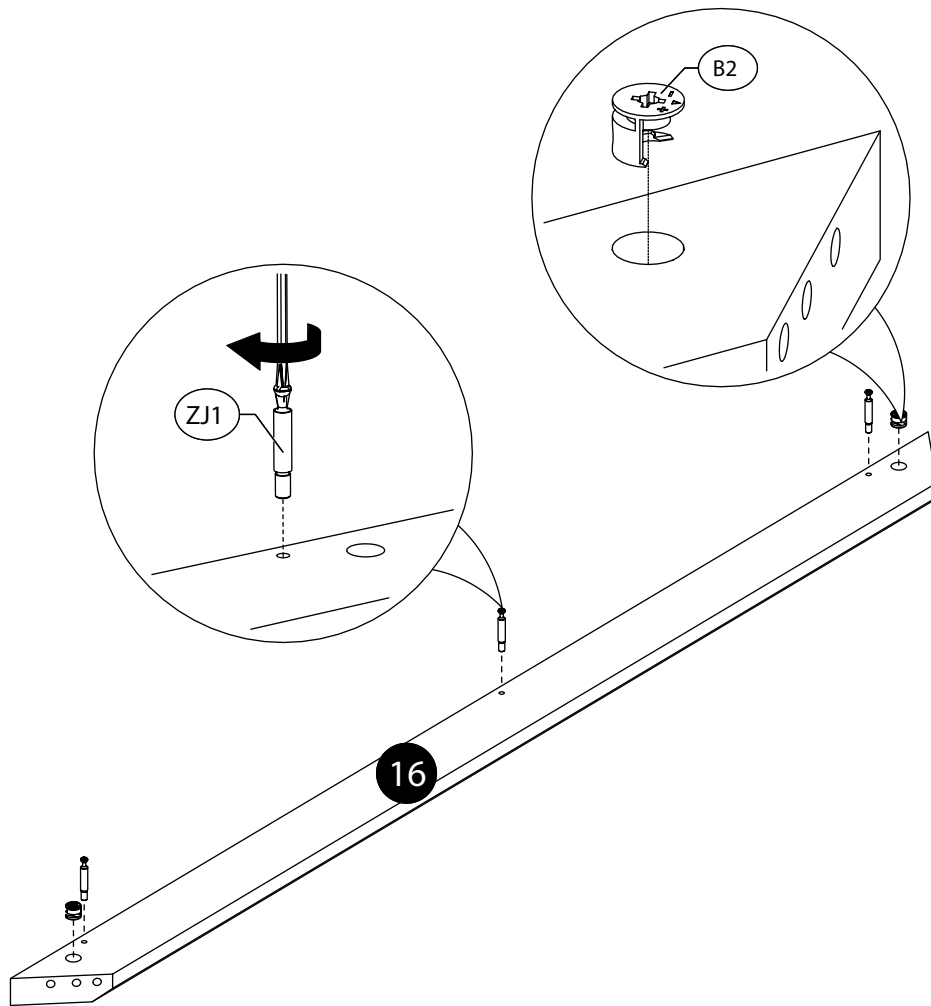
30.



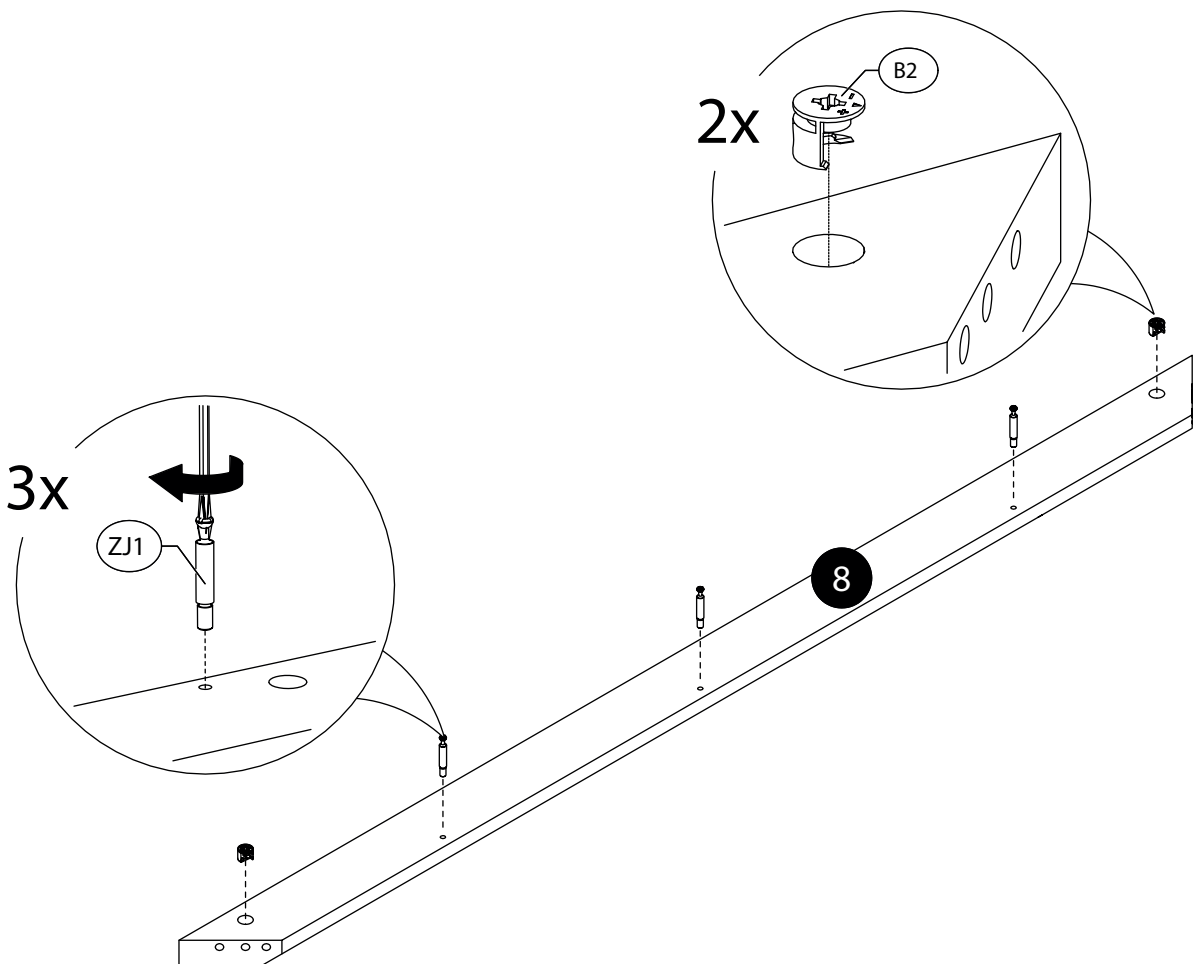
31.



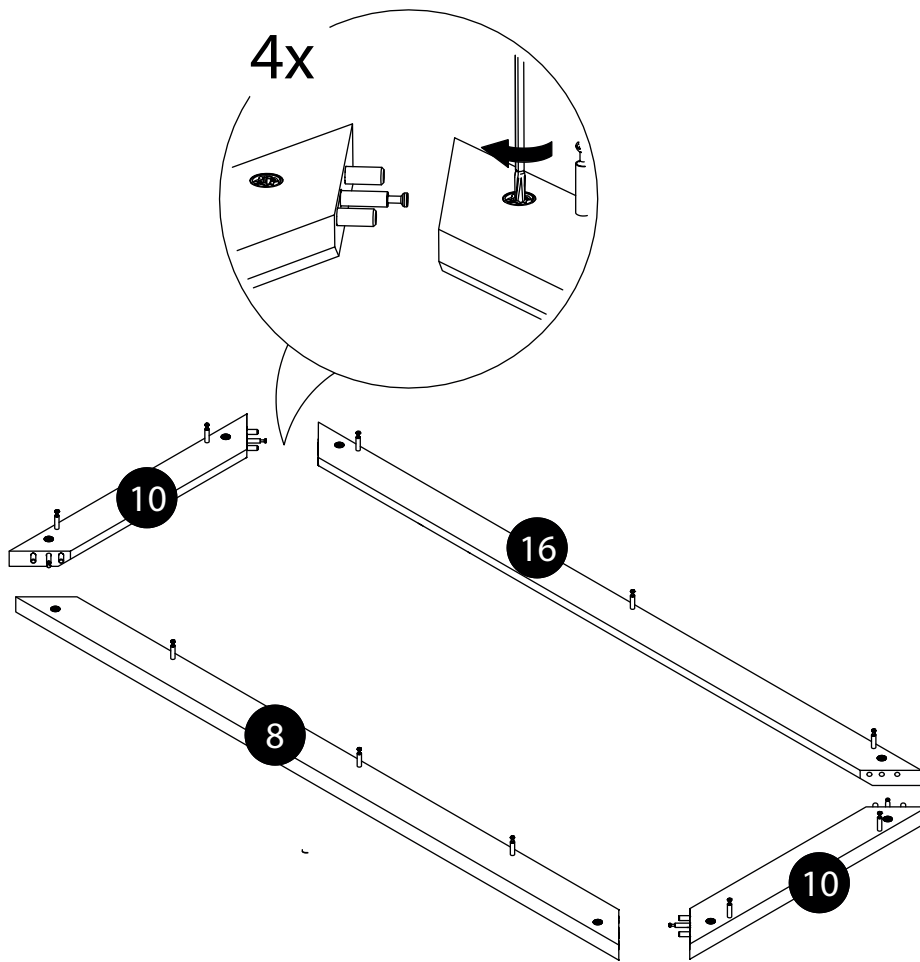
32.



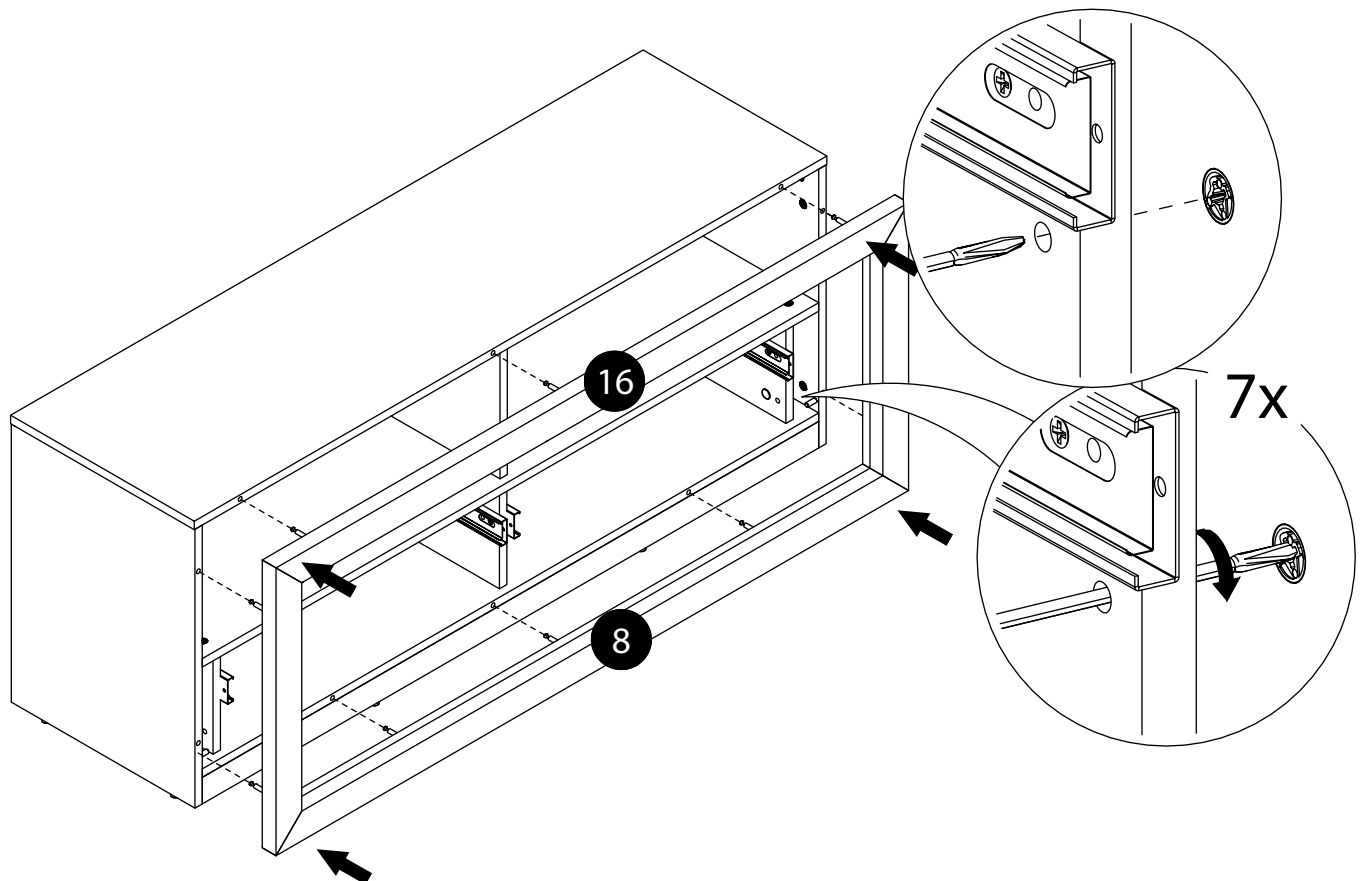
33.



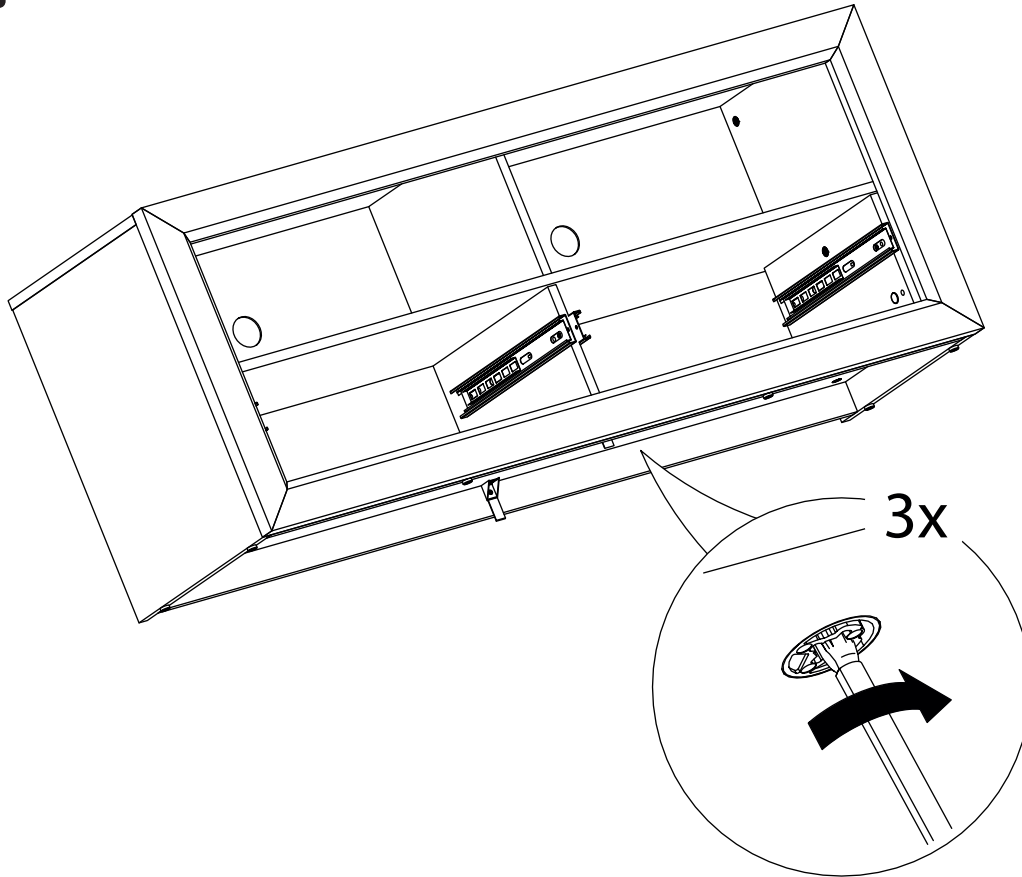
34.



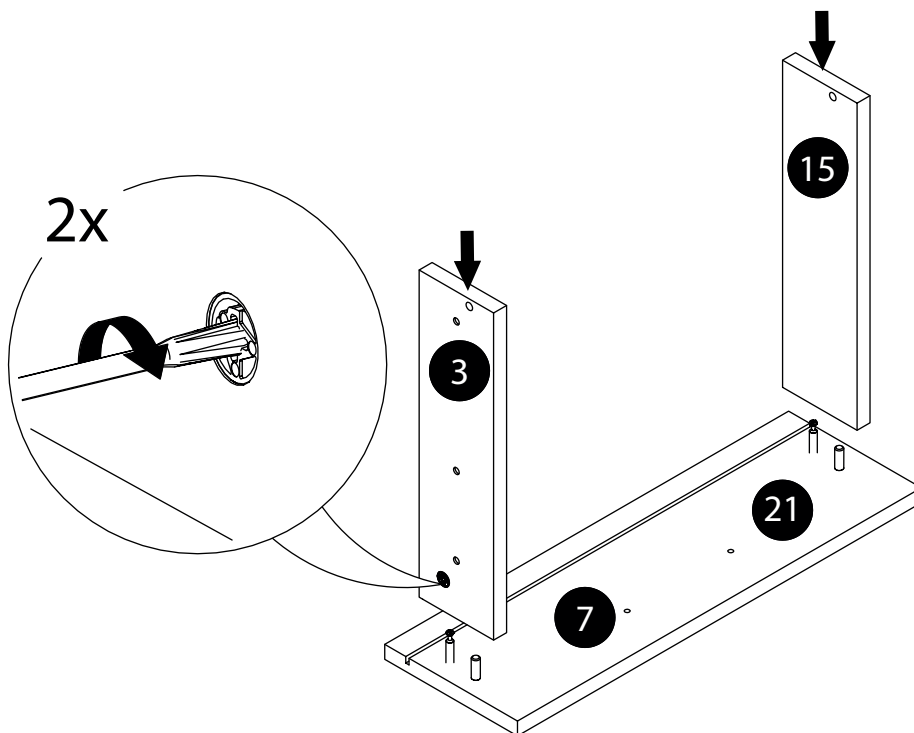
35.



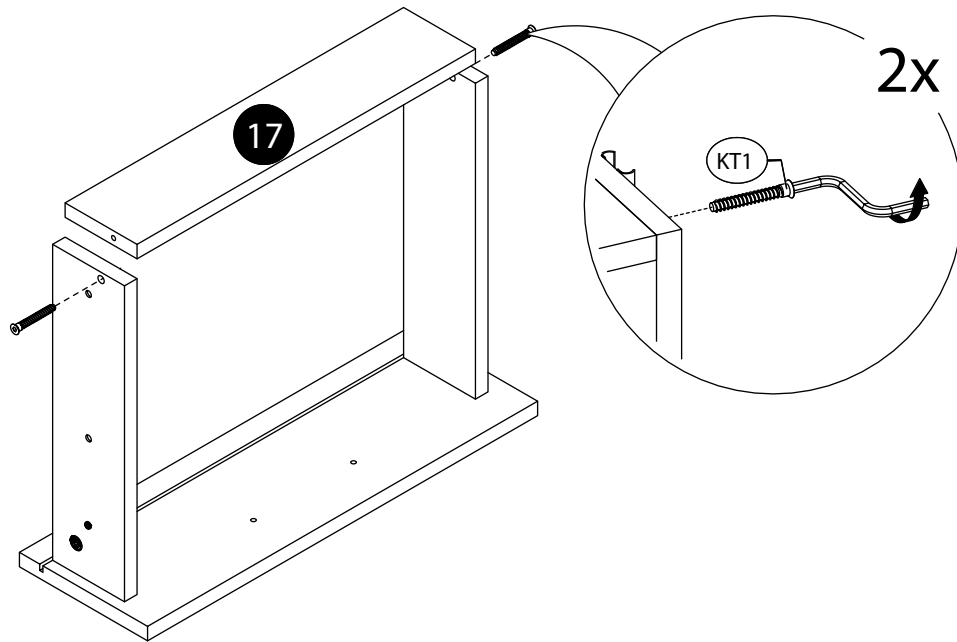
36.



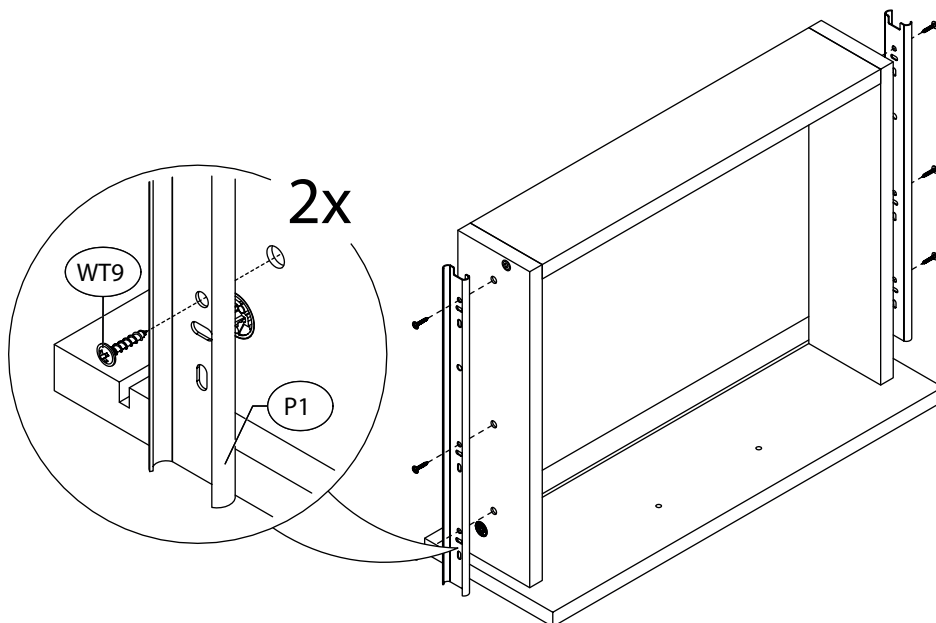
37. x2



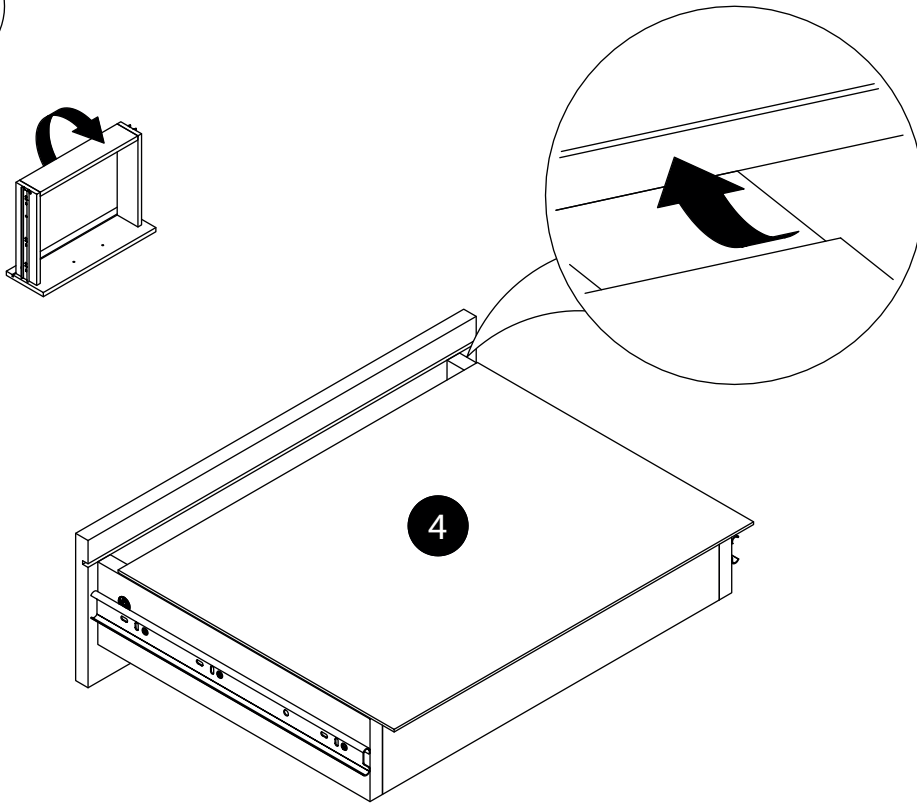
38. (x2)



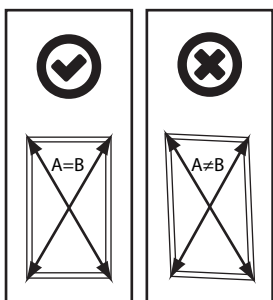
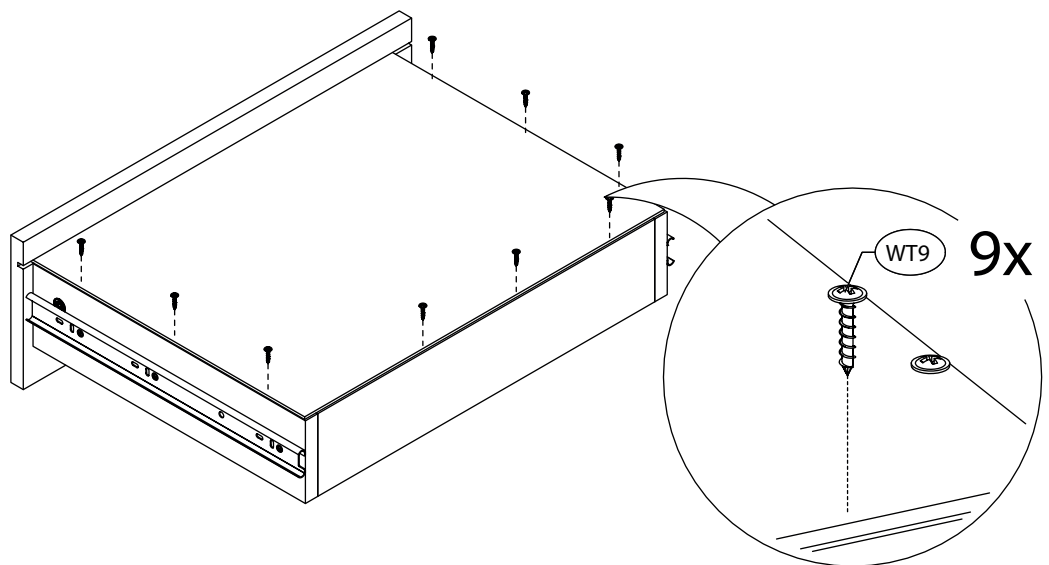
39. (x2)



40. (x2)

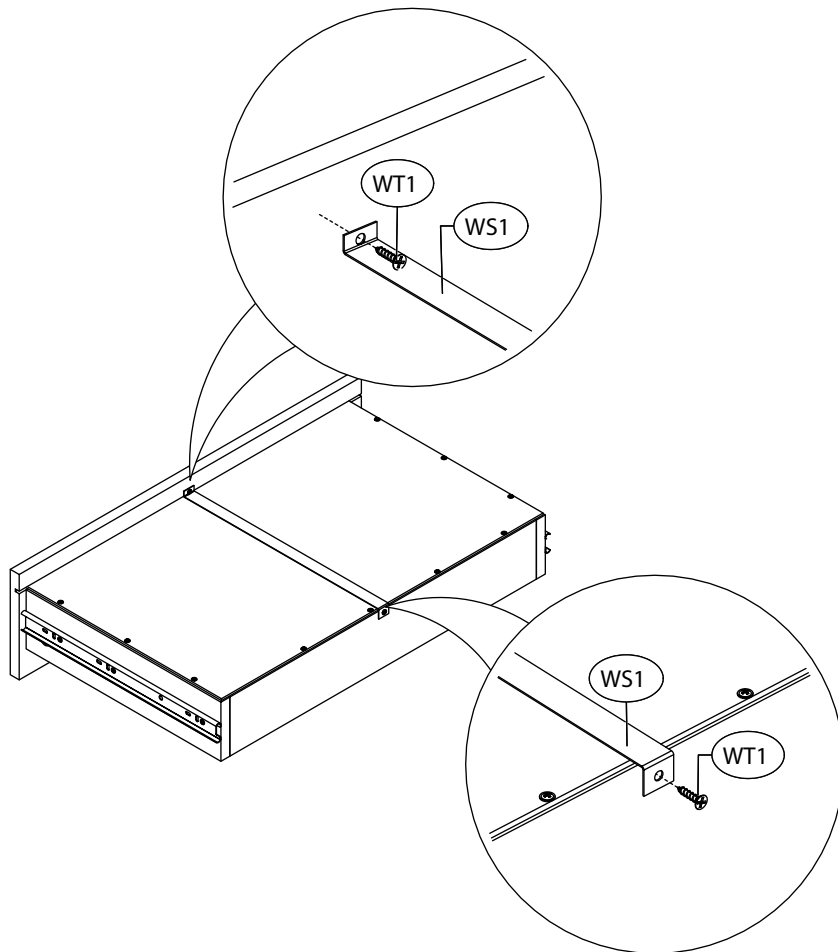


41. (x2)

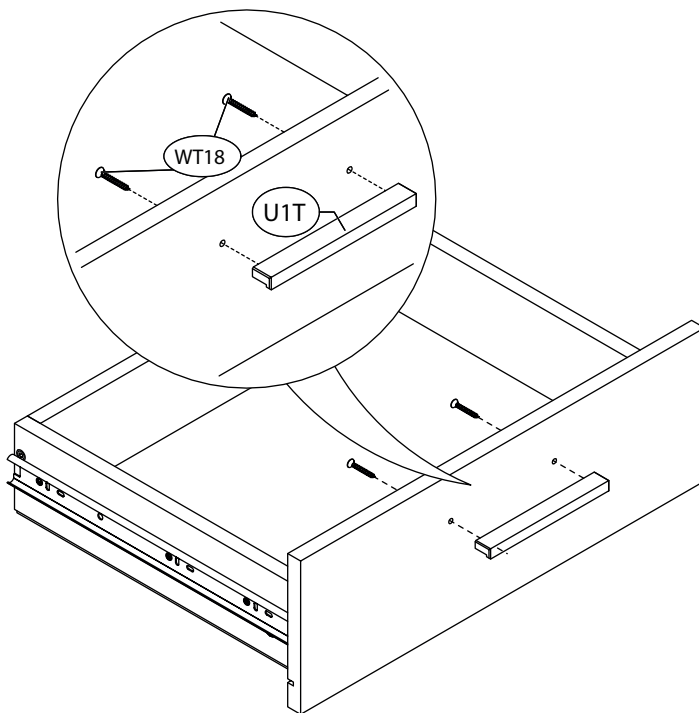
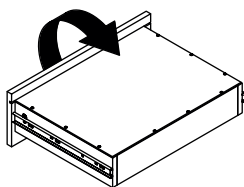




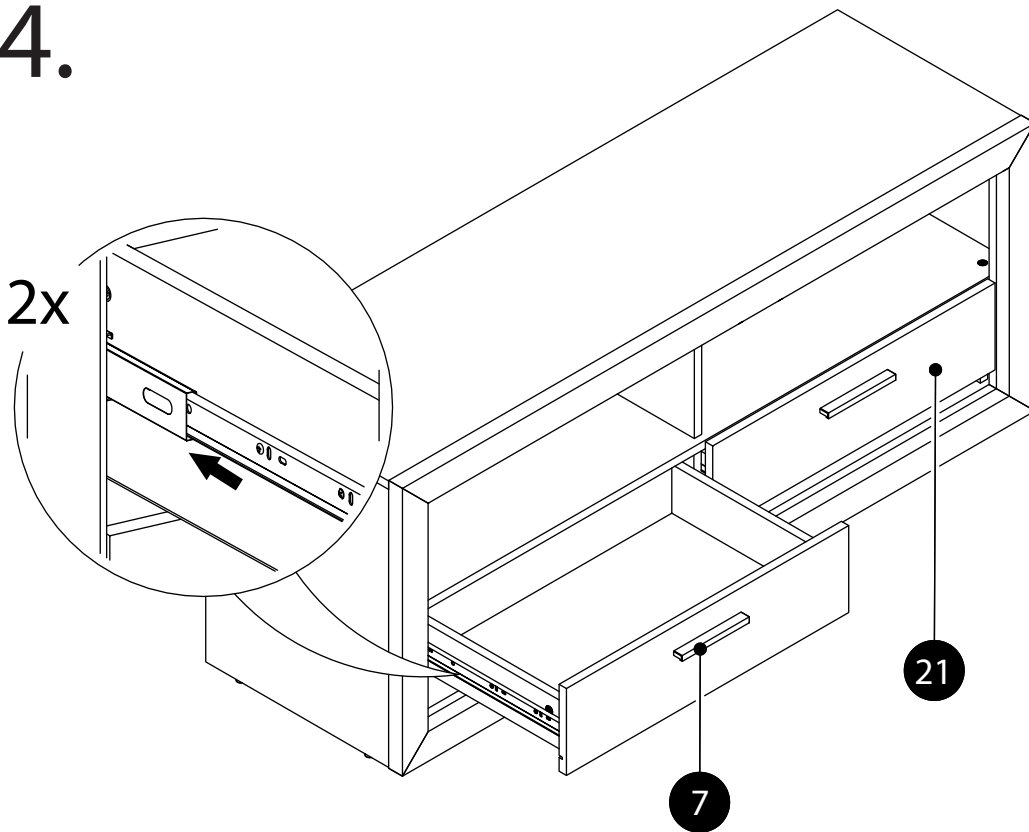
42. (x2)



43. (x2)



44.



45.

